

NO. A-11873-2

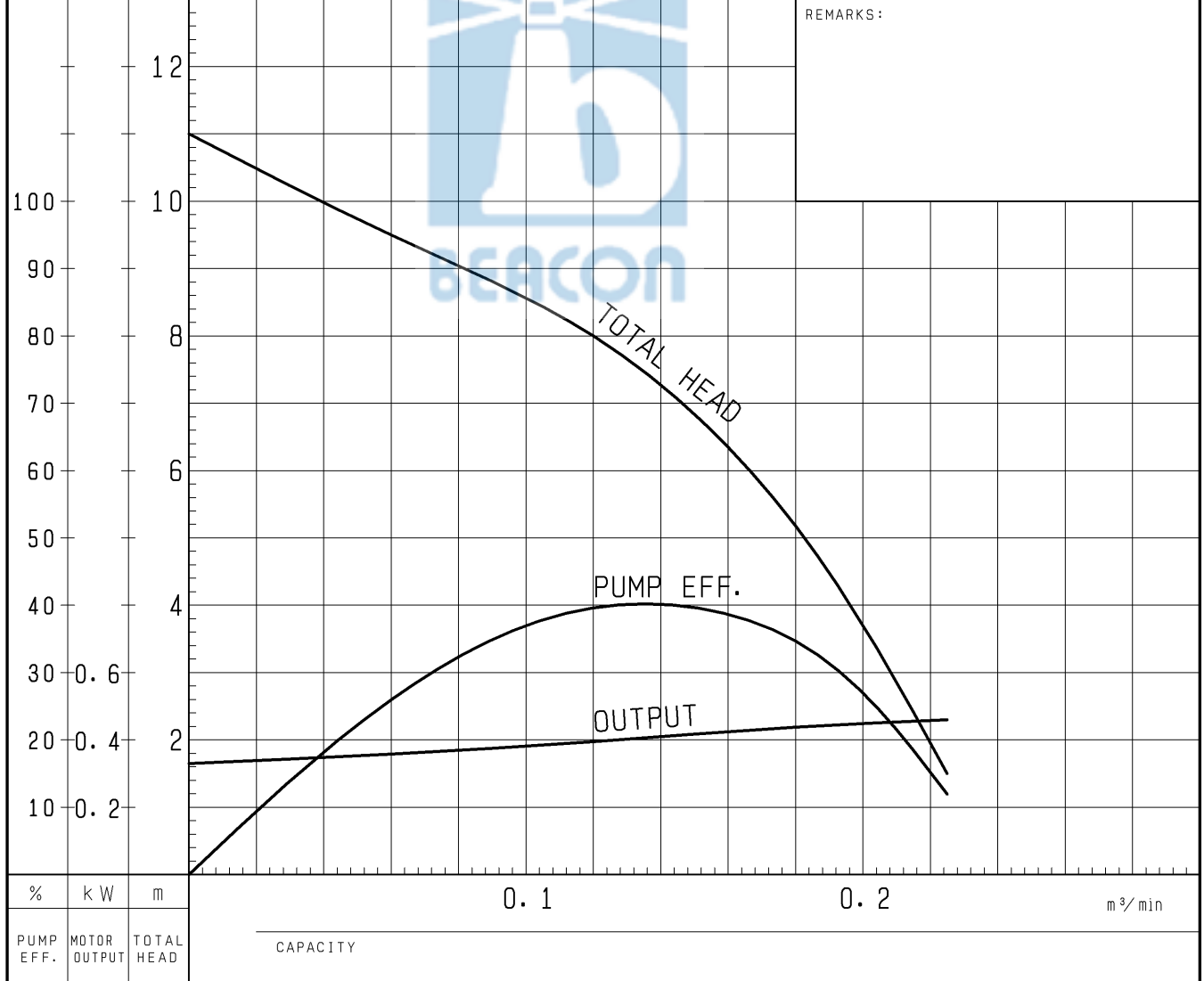
PUMP PERFORMANCE CURVES

TYPE Submersible Portable Dewatering Pump (Automatic)	MODEL LB-480A -52	FREQUENCY 50 Hz
--	-------------------	-----------------

CUSTOMER'S NAME _____

EQUIPMENT TITLE _____ NO. _____

	STANDARD SPECIFICATIONS	REQUIRED SPECIFICATIONS
DISCHARGE BORE	50 mm	mm
TOTAL HEAD	8 m	m
CAPACITY	0.12 m ³ /min	m ³ /min
MOTOR OUTPUT	0.48 kW	kW
PHASE × VOLTAGE	1 ∅ × V	∅ × V
CURRENT	A	A
POLES / REVOLUTION	2 P / S. S. 3000 min ⁻¹	P / min ⁻¹
STARTING METHOD	CAPACITOR MOTOR	
INSULATION CLASS	E	

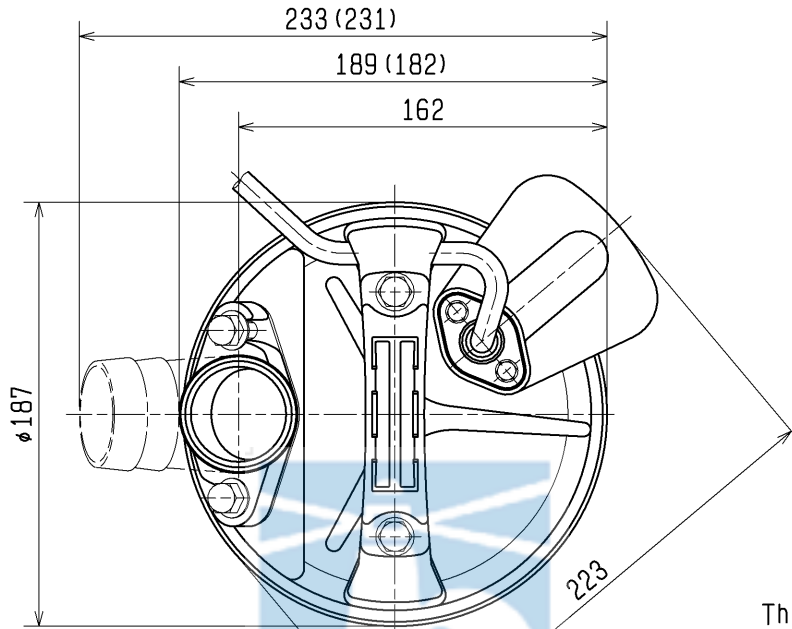


TSURUMI MFG. CO., LTD.

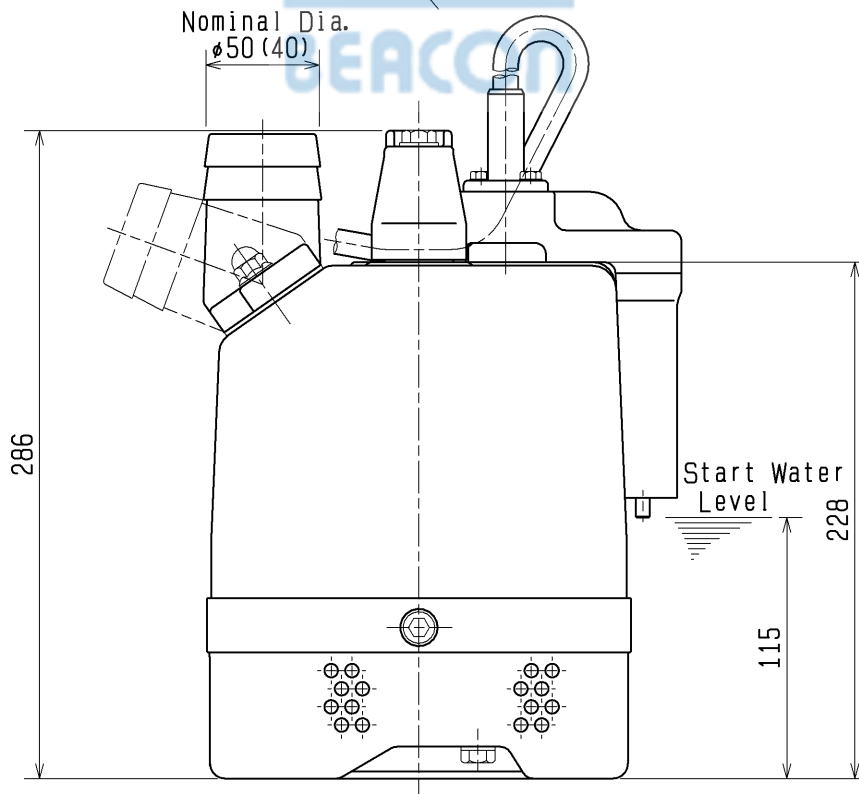
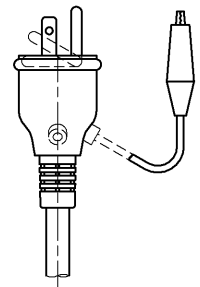
DIMENSION DRAWING		No.	No.	A-11884-4
TYPE	Submersible Portable Dewatering Pump (Automatic)	MODEL	LB-250A -52/62 LB-480A -52/62	

MODEL	Approximate Weight (※)
LB-250A-52/62	11kg
LB-480A-52/62	11kg

※excluding cable

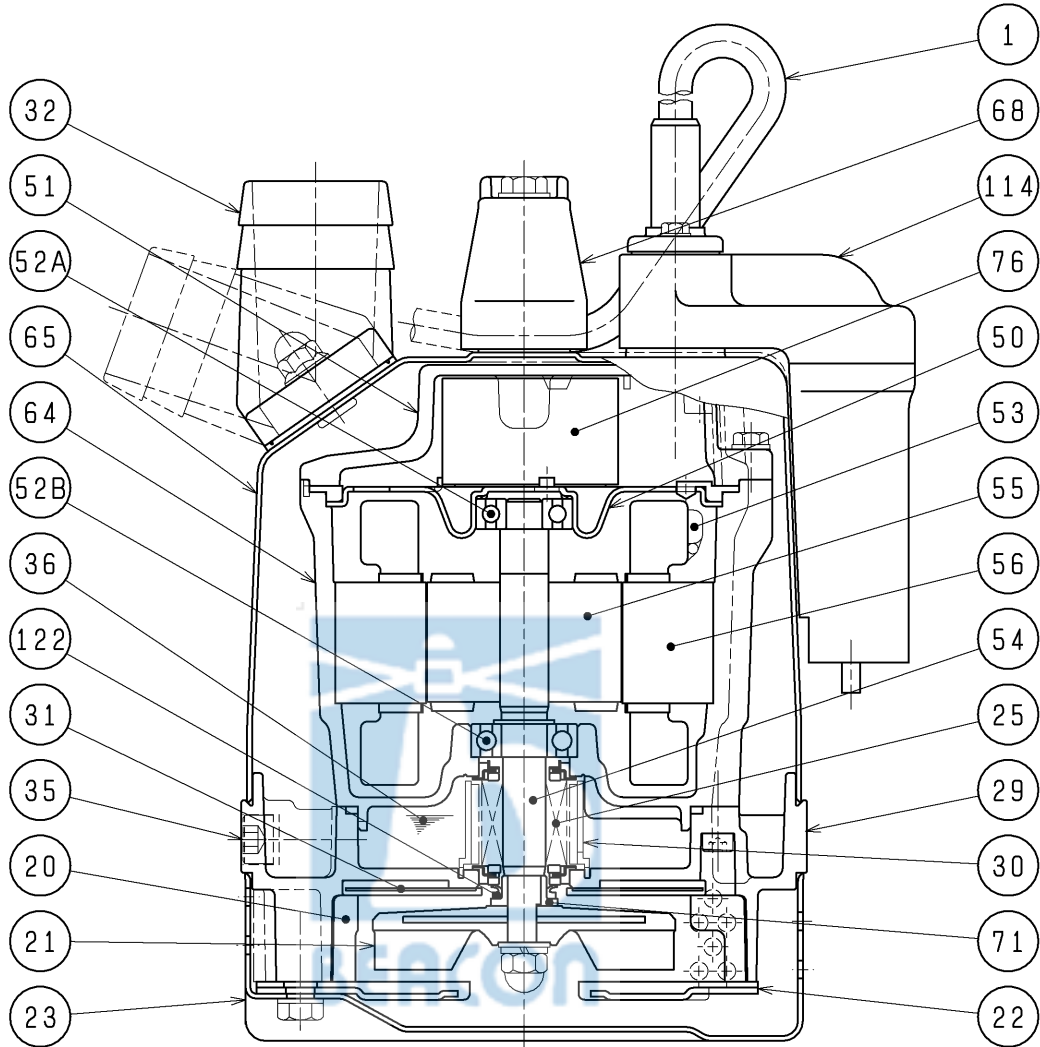


The shape of the plug



The Figure in () shows the dimensions of LB-250A.

SECTIONAL DRAWING		No.	No.	A-11889-5
TYPE	Submersible Portable Dewatering Pump (Automatic)	MODEL	LB-250A -52/62 LB-480A -52/62	



REQ. SPECIFICATION	

No.	DESCRIPTION	QTY	MATERIAL / NOTE	No.	DESCRIPTION	QTY	MATERIAL / NOTE
1	Cabtyre Cable	1	PVC Sheath	52B	Lower Bearing	1	6202ZC3
20	Pump Casing	1	Ethylene Propylene Rubber	53	Motor Protector	1	
21	Impeller	1	Urethane Rubber	54	Shaft	1	Stainless Steel 403
22	Suction Cover	1	Steel Plate + Urethane Rubber	55	Rotor	1	
23	Strainer Stand	1	Steel Sheet	56	Stator	1	
25	Mechanical Seal	1	W-14VC	64	Motor Frame	1	Aluminium Die Casting
29	Oil Casing	1	Aluminium Die Casting	65	Outer Cover	1	Steel Sheet
30	Oil Lifter	1	Plastic	68	Handle	1	Plastic
31	Wearing Plate	1	Urethane Rubber	71	Shaft Sleeve	1	Stainless Steel 304
32	Hose Coupling	1	Aluminium Die Casting	76	Capacitor	1	
35	Oil Plug	1	Stainless Steel 304	114	Relay Unit	1	Styrene Butadiene Rubber
36	Lubricant		Turbine Oil (ISO VG32)	122	V-ring	1	Nitrile Butadiene Rubber
50	Motor Bracket	1	Steel Sheet				
51	Motor Head Cover	1	Aluminium Die Casting				
52A	Upper Bearing	1	6201ZC3				

NO. A-22423-1

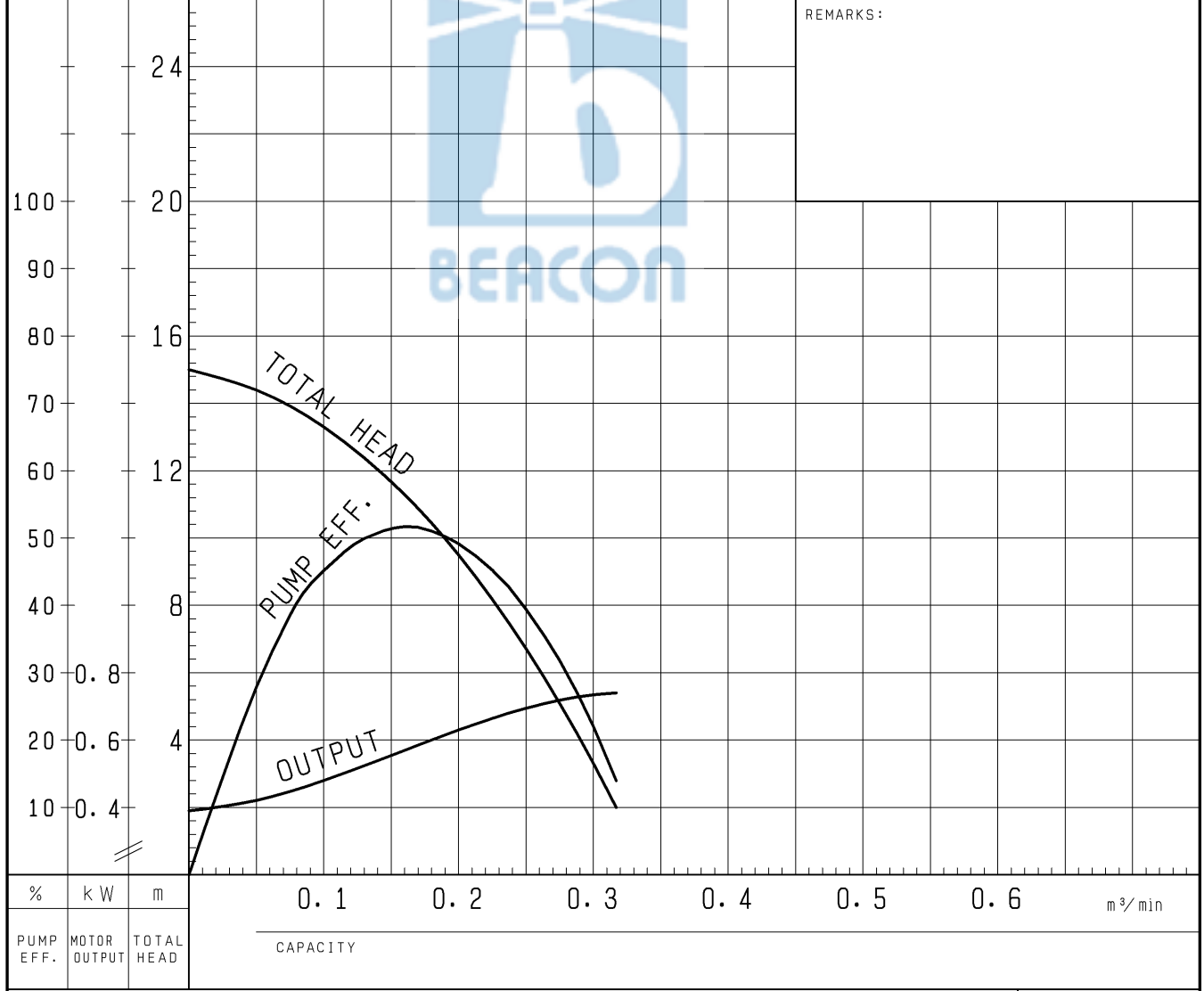
PUMP PERFORMANCE CURVES

TYPE Submersible Portable Dewatering Pump (Automatic)	MODEL LB-800A -52	FREQUENCY 50 Hz
--	-------------------	-----------------

CUSTOMER'S NAME _____

EQUIPMENT TITLE _____ NO. _____

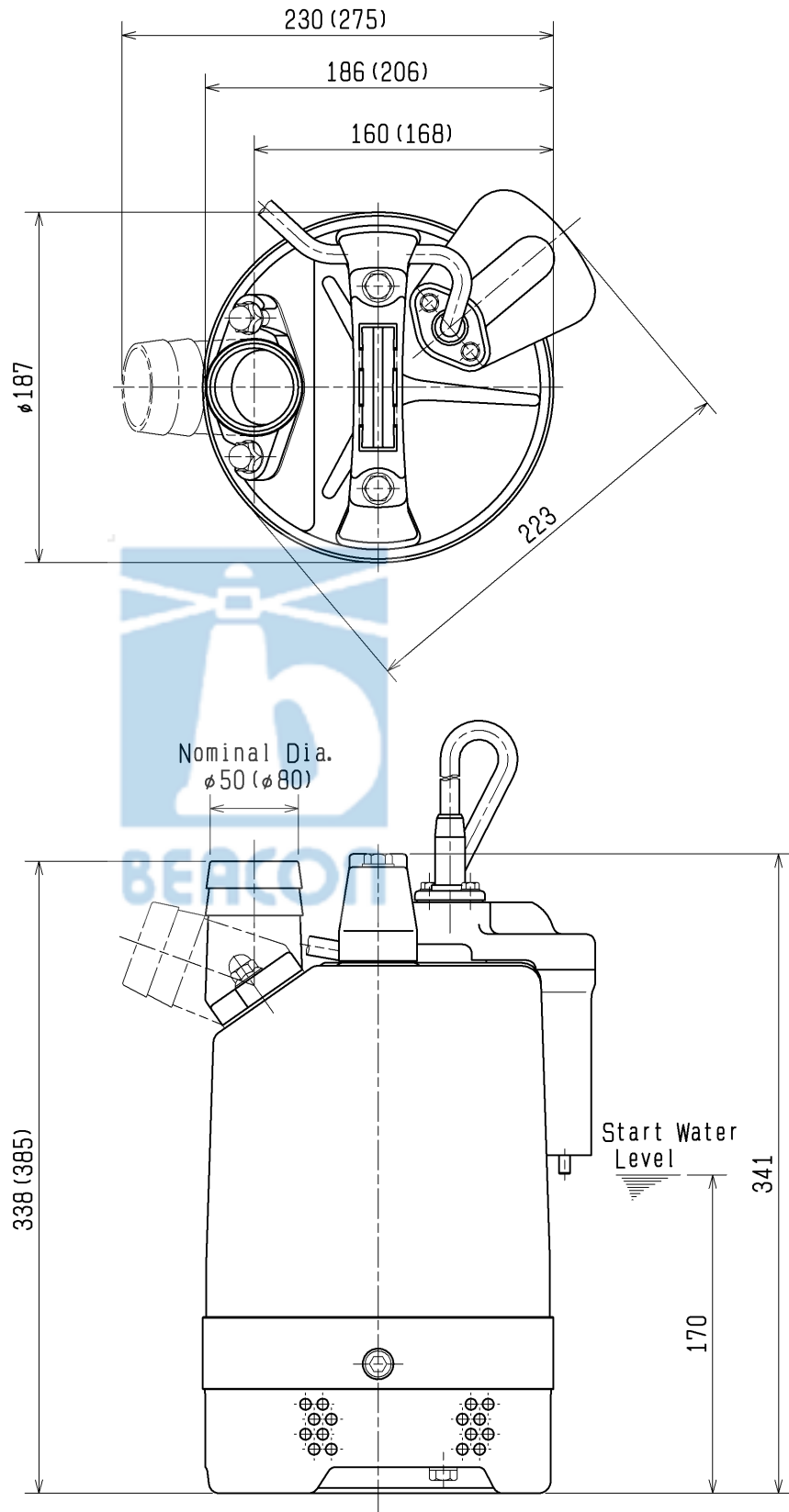
	STANDARD SPECIFICATIONS	REQUIRED SPECIFICATIONS
DISCHARGE BORE	50/80 mm	mm
TOTAL HEAD	MAX. 15 m	m
CAPACITY	MAX. 0.31 m ³ /min	m ³ /min
MOTOR OUTPUT	0.75 kW	kW
PHASE × VOLTAGE	1 ∅ × V	∅ × V
CURRENT	A	A
POLES / REVOLUTION	2 P / S. S. 3000 min ⁻¹	P / min ⁻¹
STARTING METHOD	CAPACITOR MOTOR	
INSULATION CLASS	E	



TSURUMI MFG. CO., LTD.

DIMENSION DRAWING		No.	No. A-21595-2
TYPE	Submersible Portable Dewatering Pump (Automatic)	MODEL	LB-800A -52/62

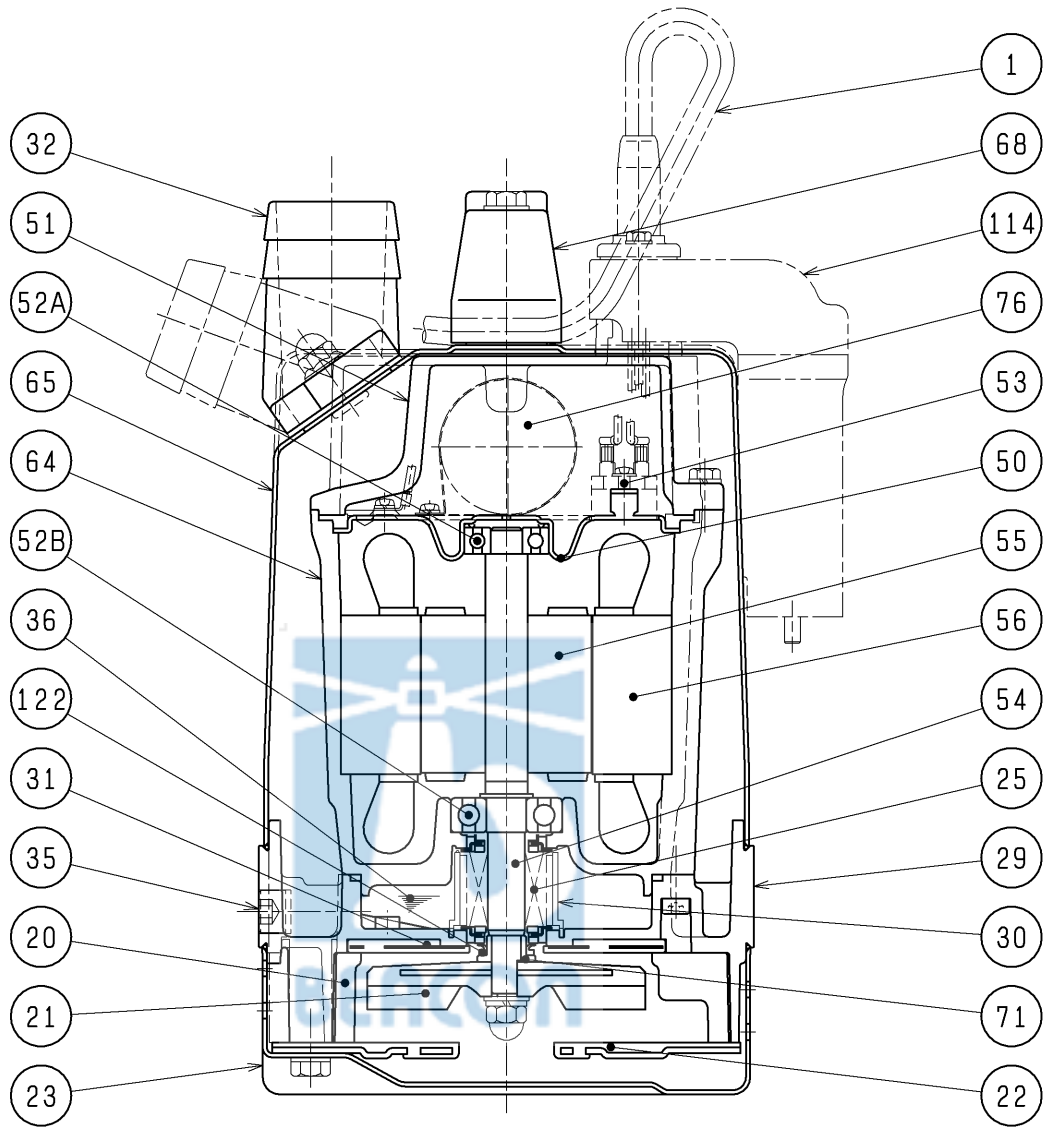
Approximate Weight (※)
13.7kg
(13.9kg)
※excluding cable



The Figure in () shows the dimensions of discharge Bore at Nominal $\phi 80$.

C.W.L. :Continuous running Water Level

SECTIONAL DRAWING		No.	No. A-21598-2
TYPE	Submersible Portable Dewatering Pump (Automatic)	MODEL	LB-800A -52/62



REQ. SPECIFICATION

No.	DESCRIPTION	QTY	MATERIAL / NOTE	No.	DESCRIPTION	QTY	MATERIAL / NOTE
1	Cabtyre Cable	1	PVC Sheath	52B	Lower Bearing	1	6302ZC3
20	Pump Casing	1	Butadiene Rubber + Natural Rubber	53	Motor Protector	1	
21	Impeller	1	Urethane Rubber	54	Shaft	1	Stainless Steel 403
22	Suction Cover	1	Steel Sheet + Urethane Rubber	55	Rotor	1	
23	Strainer Stand	1	Steel Sheet	56	Stator	1	
25	Mechanical Seal	1	W-14VC	64	Motor Frame	1	Aluminium Die Casting
29	Oil Casing	1	Aluminium Die Casting	65	Outer Cover	1	Steel Sheet
30	Oil Lifter	1	Plastic	68	Handle	1	Plastic
31	Wearing Plate	1	Urethane Rubber	71	Shaft Sleeve	1	Stainless Steel 304
32	Hose Coupling	1	Aluminium Die Casting	76	Capacitor	1	
35	Oil Plug	1	Stainless Steel 304	114	Relay Unit	1	Styrene Butadiene Rubber
36	Lubricant		Turbine Oil (ISO VG32)	122	V-ring	1	Nitrile Butadiene Rubber
50	Motor Bracket	1	Steel Sheet				
51	Motor Head Cover	1	Aluminium Die Casting				
52A	Upper Bearing	1	6201ZC3				