

NO. A-12322-3

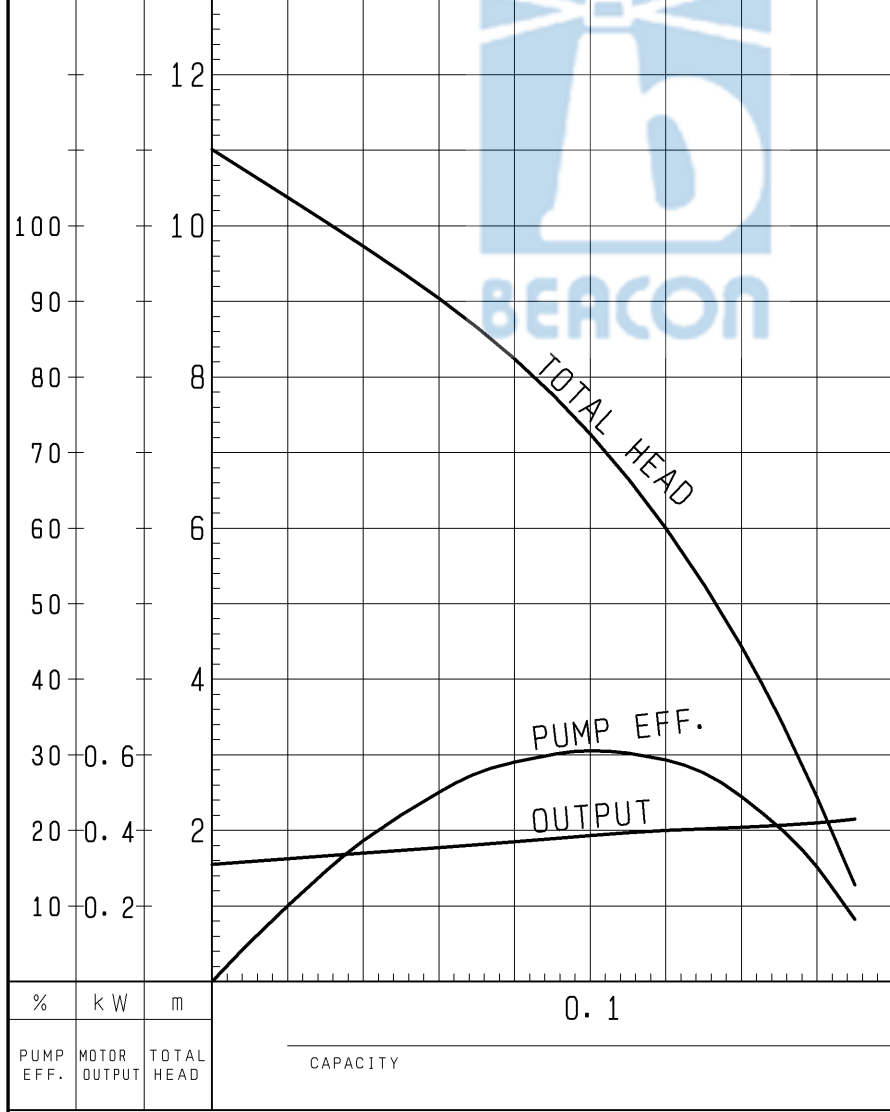
# PUMP PERFORMANCE CURVES

|  |                      |                    |
|--|----------------------|--------------------|
| TYPE<br>Submersible<br>Residue Dewatering Pump | MODEL<br>LSC1.4S -51 | FREQUENCY<br>50 Hz |
|--|----------------------|--------------------|

CUSTOMER'S NAME \_\_\_\_\_

EQUIPMENT TITLE \_\_\_\_\_ NO. \_\_\_\_\_

|                    | STANDARD SPECIFICATIONS            | REQUIRED SPECIFICATIONS |
|--------------------|------------------------------------|-------------------------|
| DISCHARGE BORE     | 25 mm                              | mm                      |
| MAX HEAD           | 11 m                               | m                       |
|                    | m <sup>3</sup> /min                | m <sup>3</sup> /min     |
| MOTOR OUTPUT       | 0.48 kW                            | kW                      |
| PHASE × VOLTAGE    | 1 ∅ × V                            | ∅ × V                   |
| CURRENT            | A                                  | A                       |
| POLES / REVOLUTION | 2 P / S. S. 3000 min <sup>-1</sup> | P / min <sup>-1</sup>   |
| STARTING METHOD    | CAPACITOR MOTOR                    |                         |
| INSULATION CLASS   | E                                  |                         |



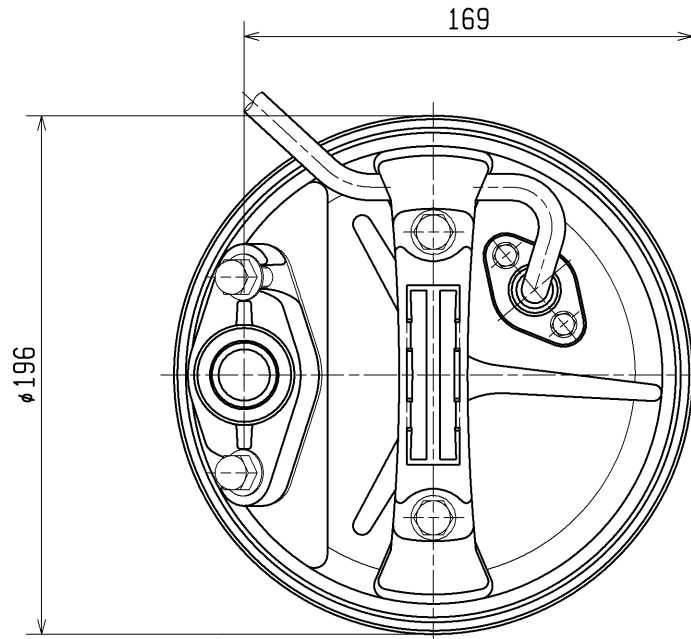
REMARKS:  
The performance curve shows under the condition that the pump is performed in hanging without restriction of suction.

|           |              |            |          |  |  |
|-----------|--------------|------------|----------|--|--|
|           | %            | kW         | m        |  |  |
| PUMP EFF. | MOTOR OUTPUT | TOTAL HEAD | CAPACITY |  |  |

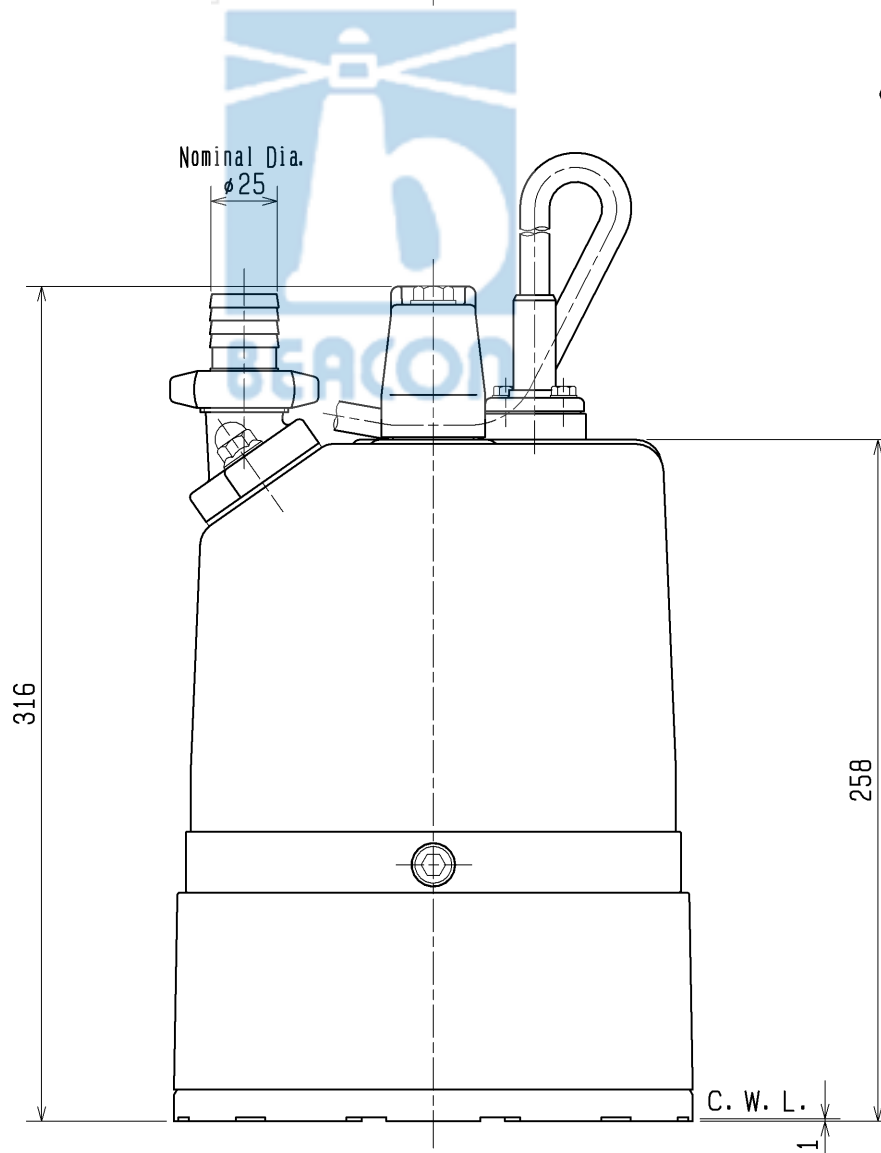
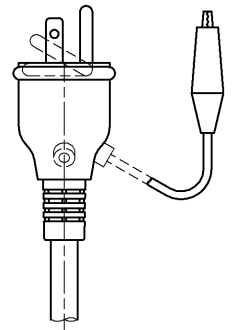
TSURUMI MFG. CO., LTD.

|                   |  |       |                |
|-------------------|--|-------|----------------|
| DIMENSION DRAWING |  | No.   | No. A-12324-4  |
| TYPE              | Submersible<br>Residue Dewatering Pump | MODEL | LSC1.4S -51/61 |

Approximate  
Weight (※)  
12kg  
※excluding cable

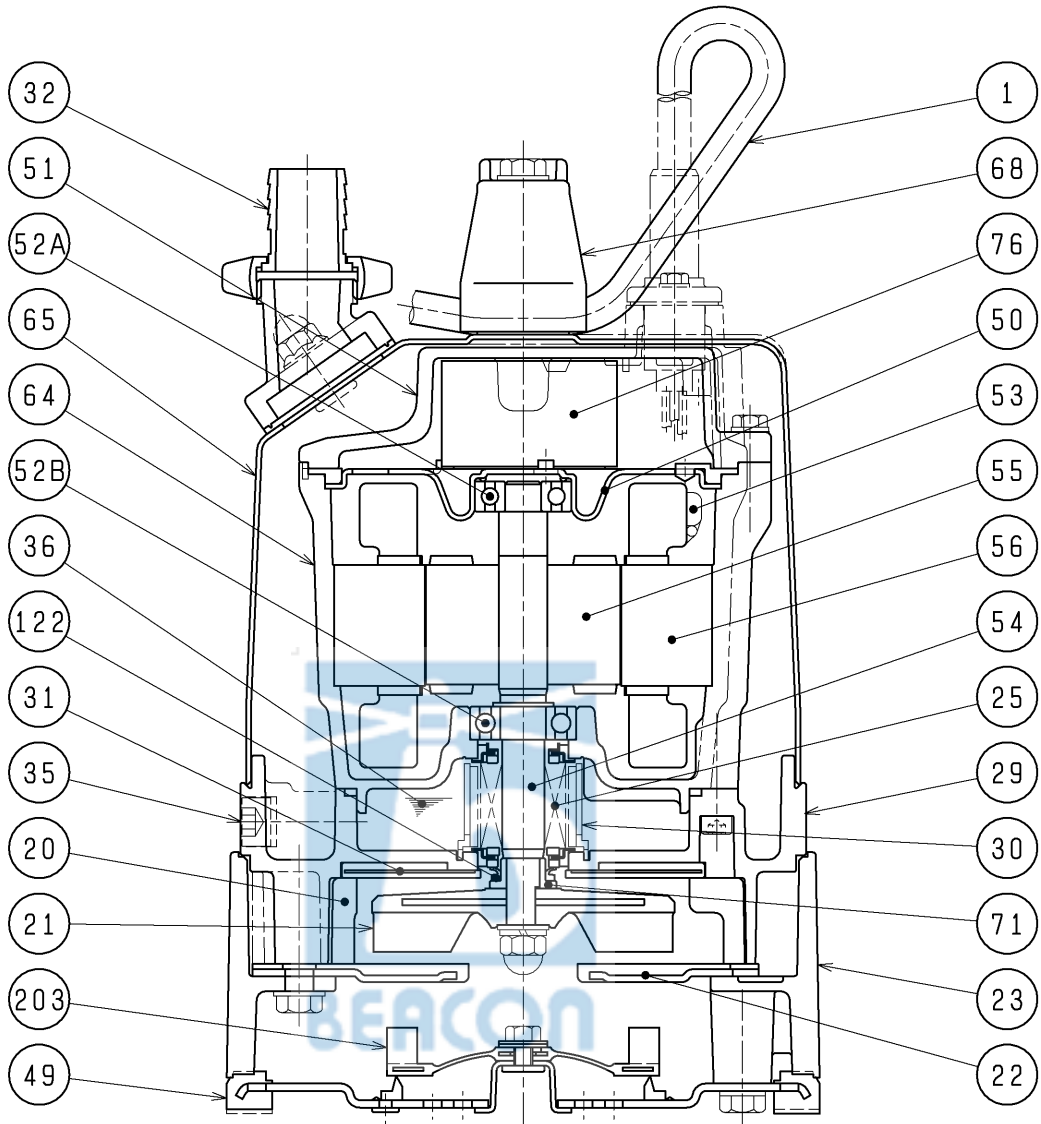


The shape of the plug



C.W.L. :Continuous running Water Level

|                          |  |       |                |
|--------------------------|--|-------|----------------|
| <b>SECTIONAL DRAWING</b> |  | No.   | No. A-12325-5  |
| TYPE                     | Submersible<br>Residue Dewatering Pump | MODEL | LSC1.4S -51/61 |



| REQ. SPECIFICATION |
|--------------------|
|                    |
|                    |
|                    |

| No. | DESCRIPTION      | QTY | MATERIAL / NOTE                        | No. | DESCRIPTION     | QTY | MATERIAL / NOTE          |
|-----|------------------|-----|--|-----|-----------------|-----|--------------------------|
| 1   | Cable            | 1   | PVC Sheath                             | 52A | Upper Bearing   | 1   | 6201ZC3                  |
| 20  | Pump Casing      | 1   | Ethylene Propylene Rubber              | 52B | Lower Bearing   | 1   | 6202ZC3                  |
| 21  | Impeller         | 1   | Urethane Rubber                        | 53  | Motor Protector | 1   |                          |
| 22  | Suction Cover    | 1   | Steel Plate + Urethane Rubber          | 54  | Shaft           | 1   | Stainless Steel 403      |
| 23  | Stand            | 1   | Aluminium Die Casting                  | 55  | Rotor           | 1   |                          |
| 25  | Mechanical Seal  | 1   | W-14VC                                 | 56  | Stator          | 1   |                          |
| 29  | Oil Casing       | 1   | Aluminium Die Casting                  | 64  | Motor Frame     | 1   | Aluminium Die Casting    |
| 30  | Oil Lifter       | 1   | Plastic                                | 65  | Outer Cover     | 1   | Steel Sheet              |
| 31  | Wearing Plate    | 1   | Urethane Rubber                        | 68  | Handle          | 1   | Plastic                  |
| 32  | Hose Coupling    | 1   | Aluminium Die Casting                  | 71  | Shaft Sleeve    | 1   | Stainless Steel 304      |
| 35  | Oil Plug         | 1   | Stainless Steel 304                    | 76  | Capacitor       | 1   |                          |
| 36  | Lubricant        |     | Turbine Oil (ISO VG32)                 | 122 | V-ring          | 1   | Nitrile Butadiene Rubber |
| 49  | Bottom Plate     | 1   | Steel Sheet + Nitrile Butadiene Rubber | 203 | Check Valve     | 1   | Styrene Butadiene Rubber |
| 50  | Motor Bracket    | 1   | Steel Sheet                            |     |                 |     |                          |
| 51  | Motor Head Cover | 1   | Aluminium Die Casting                  |     |                 |     |                          |