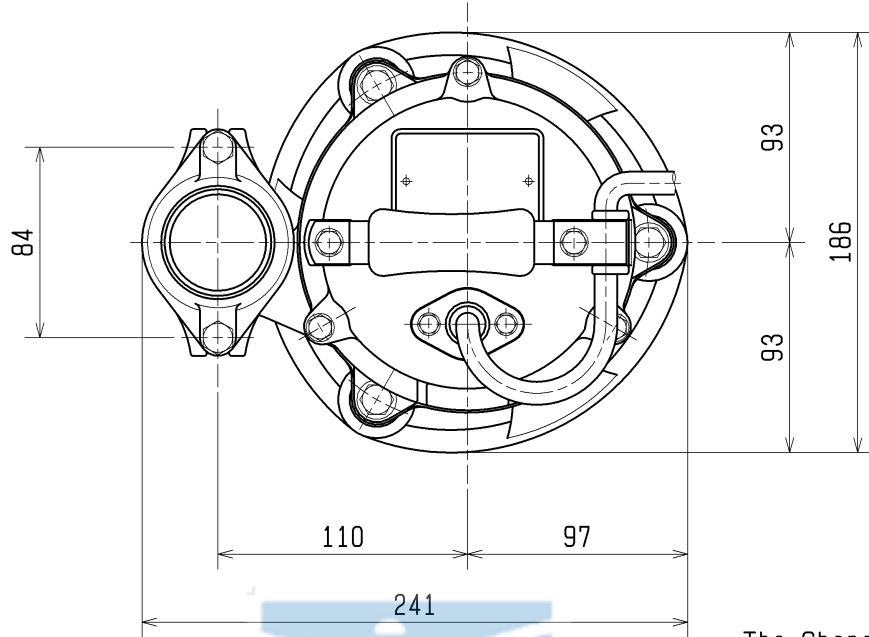
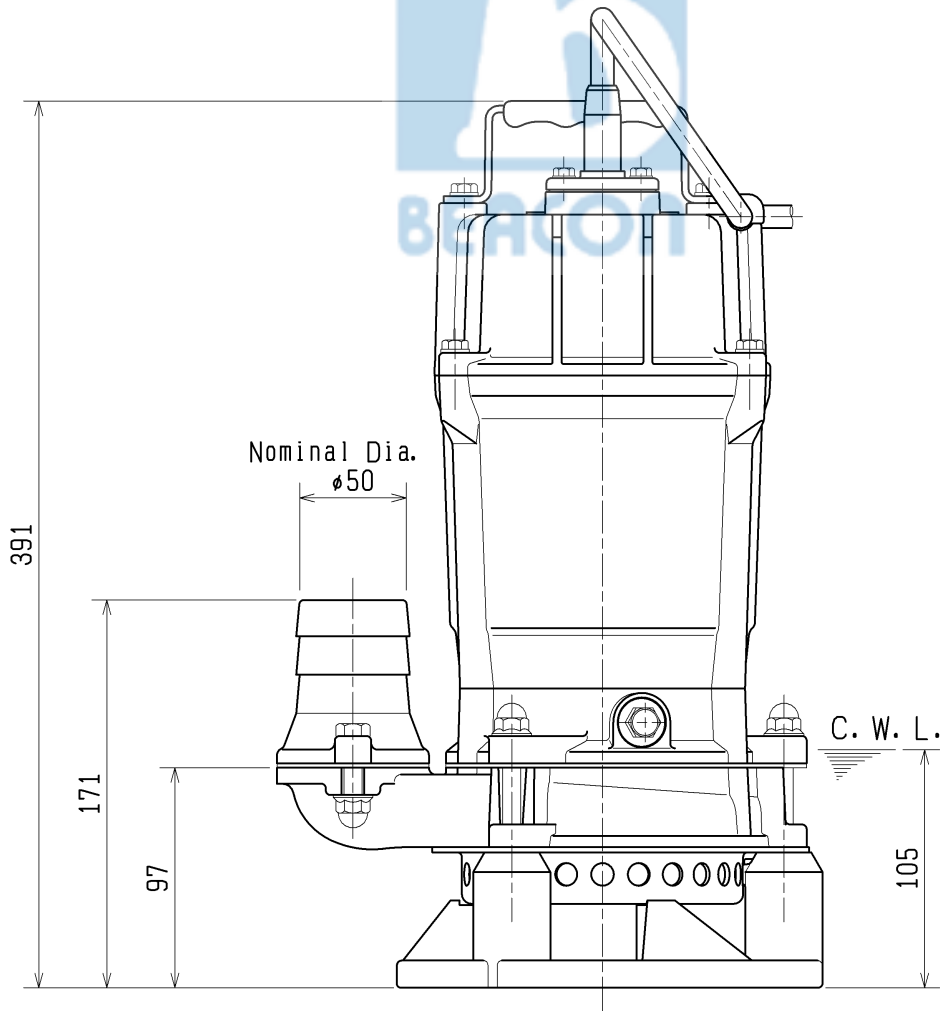
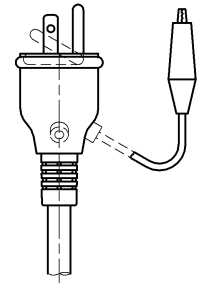


DIMENSION DRAWING		No.	No. A-21021-1
TYPE	Submersible Slurry Pump	MODEL	HSD2.55S -53/63

Approximate Weight (※)
14kg
※excluding cable

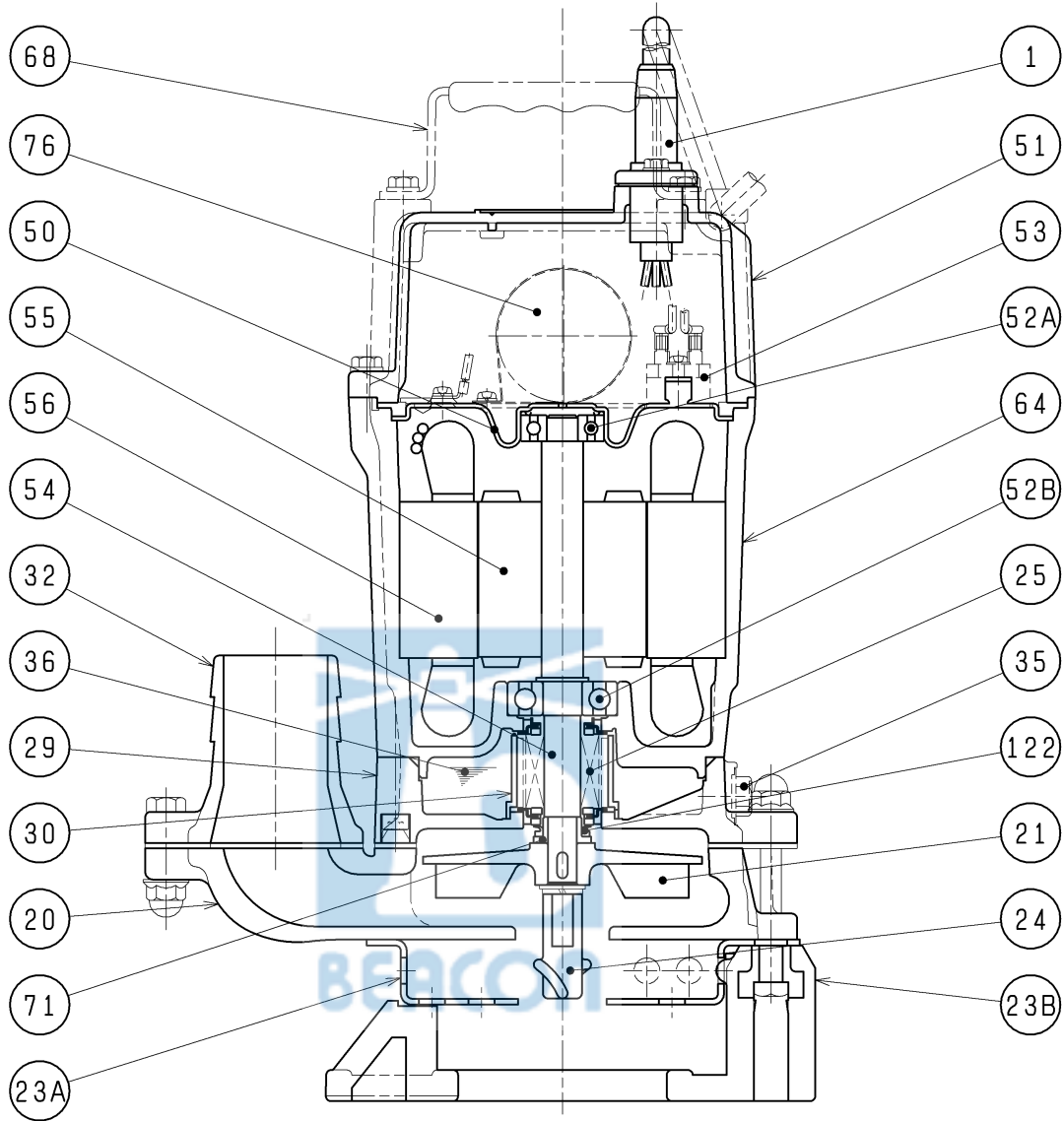


The Shape of the plug



C.W.L. :Continuous running Water Level

SECTIONAL DRAWING		No.	No. A-21022-1
TYPE	Submersible Slurry Pump	MODEL	HSD2.55S -53/63



REQ. SPECIFICATION	

No.	DESCRIPTION	Q'TY	MATERIAL / NOTE	No.	DESCRIPTION	Q'TY	MATERIAL / NOTE
1	Cabtyre Cable	1	PVC Sheath	52A	Upper Bearing	1	6201ZC3
20	Pump Casing	1	Ductile Iron Casting	52B	Lower Bearing	1	6302ZC3
21	Impeller	1	Chromium Iron Casting	53	Motor Protector	1	
23A	Strainer	1	Steel Sheet	54	Shaft	1	Stainless Steel 403
23B	Stand	1	Vinyl Chloride	55	Rotor	1	
24	Agitator	1	Chromium Iron Casting	56	Stator	1	
25	Mechanical Seal	1	W-14VC	64	Motor Frame	1	Aluminium Die Casting
29	Oil Casing	1	Gray Iron Casting	68	Handle	1	Steel Sheet & Natural Rubber
30	Oil Lifter	1	Plastic	71	Shaft Sleeve	1	Stainless Steel 304
32	Hose Coupling	1	Aluminium Die Casting	76	Capacitor	1	
35	Oil Plug	1	Stainless Steel 304	122	V-ring	1	Nitrile Butadiene Rubber
36	Lubricant		Turbine Oil (ISO VG32)				
50	Motor Bracket	1	Steel Sheet				
51	Motor Head Cover	1	Aluminium Die Casting				