

NO. A-19883-1

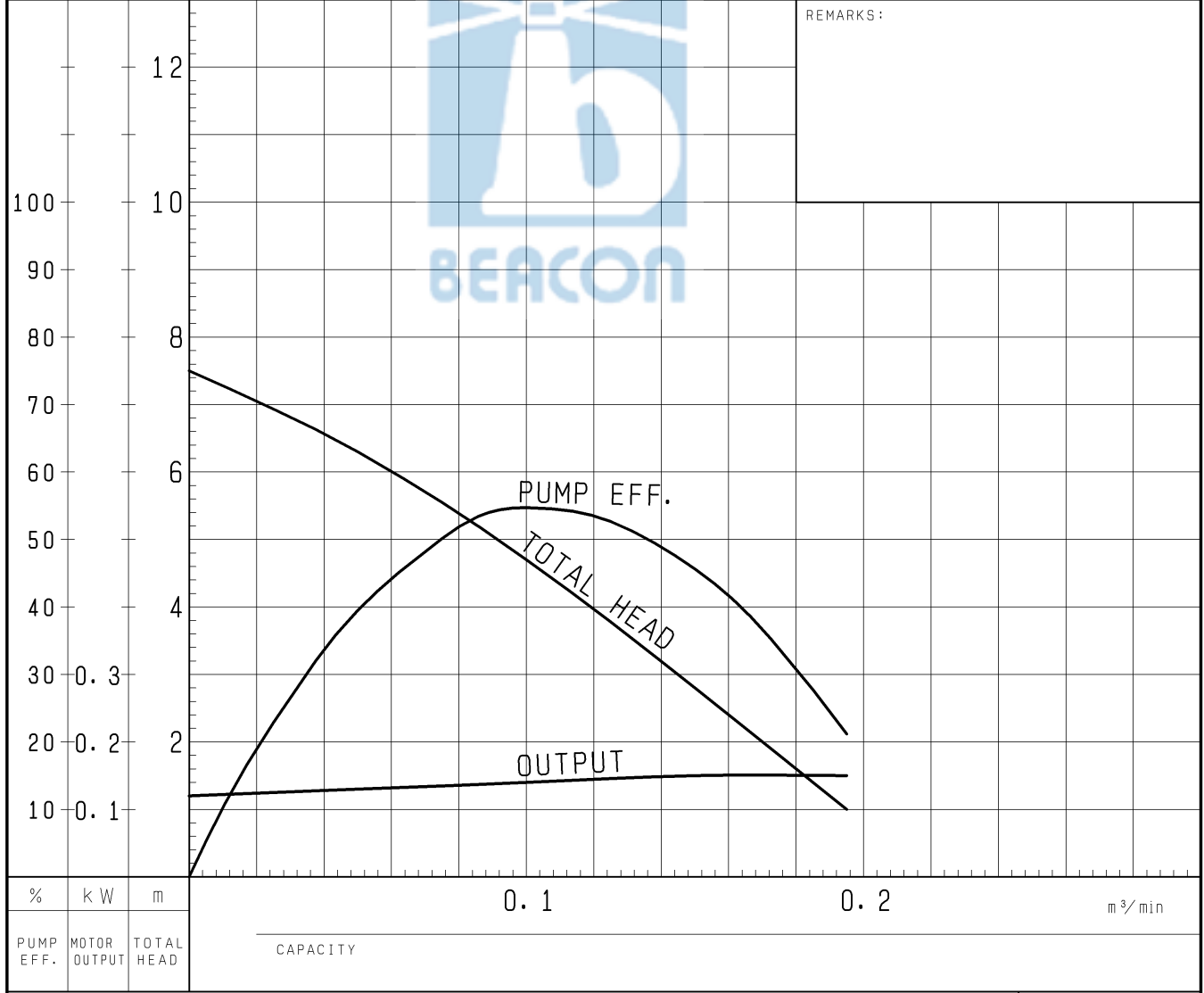
PUMP PERFORMANCE CURVES

TYPE	Compact Submersible Wastewater Pump	MODEL	OM3	FREQUENCY	50 Hz
------	--	-------	-----	-----------	-------

CUSTOMER'S NAME _____

EQUIPMENT TITLE _____ NO. _____

	STANDARD SPECIFICATIONS	REQUIRED SPECIFICATIONS
DISCHARGE BORE	32 mm	mm
TOTAL HEAD	MAX. 7.5 m	m
CAPACITY	MAX. 0.195 m ³ /min	m ³ /min
MOTOR OUTPUT	0.15 kW	kW
PHASE x VOLTAGE	1 ϕ x V	ϕ x V
CURRENT	A	A
POLES / REVOLUTION	2 P / s. s. 3000 min ⁻¹	P / min ⁻¹
STARTING METHOD	CAPACITOR MOTOR	
INSULATION CLASS	E	

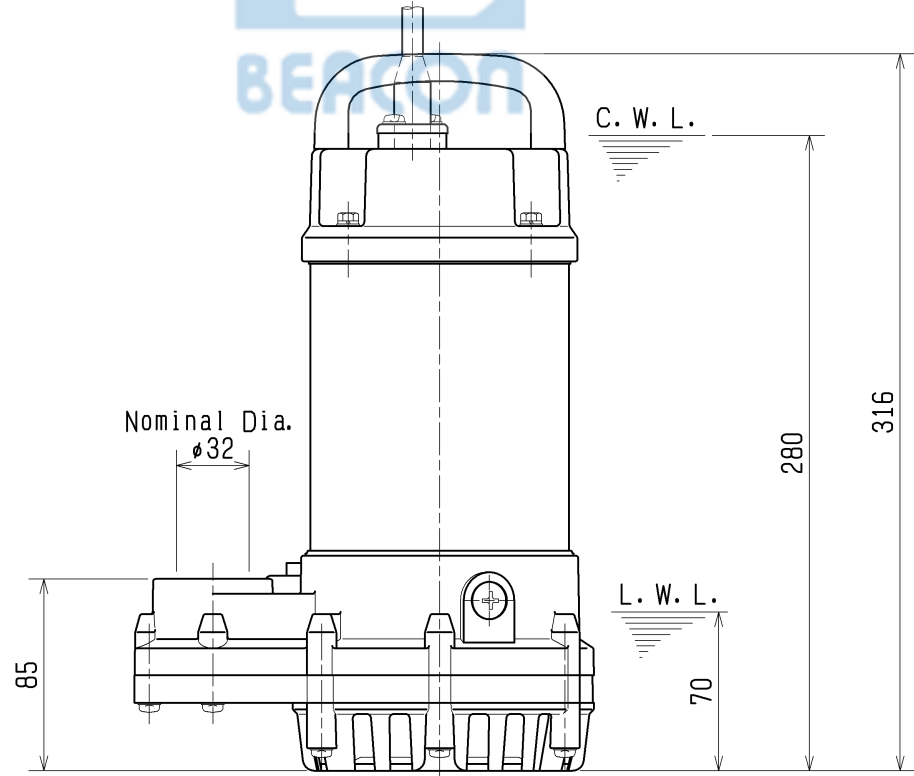
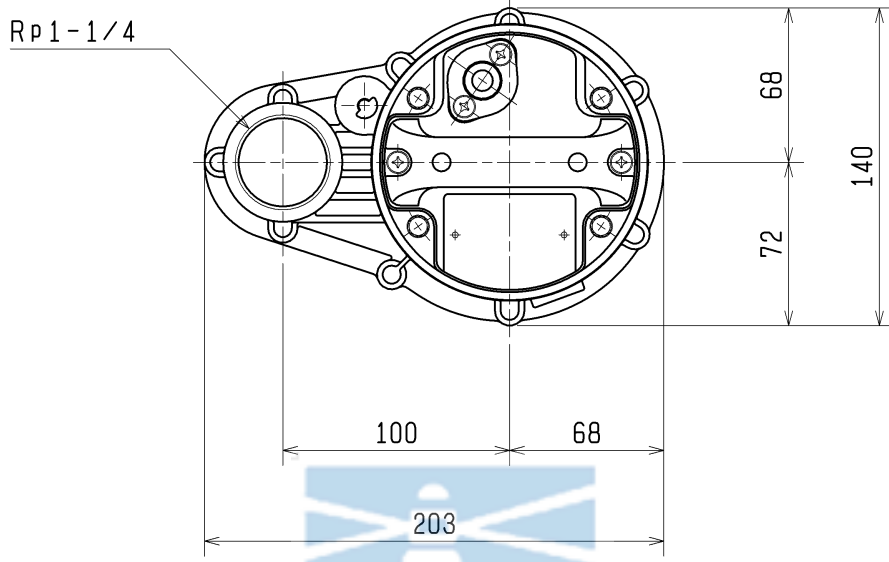


TSURUMI MFG. CO., LTD.

DIMENSION DRAWING		No.	No. A-19852-1
TYPE	Compact Submersible Wastewater Pump	MODEL	OM3

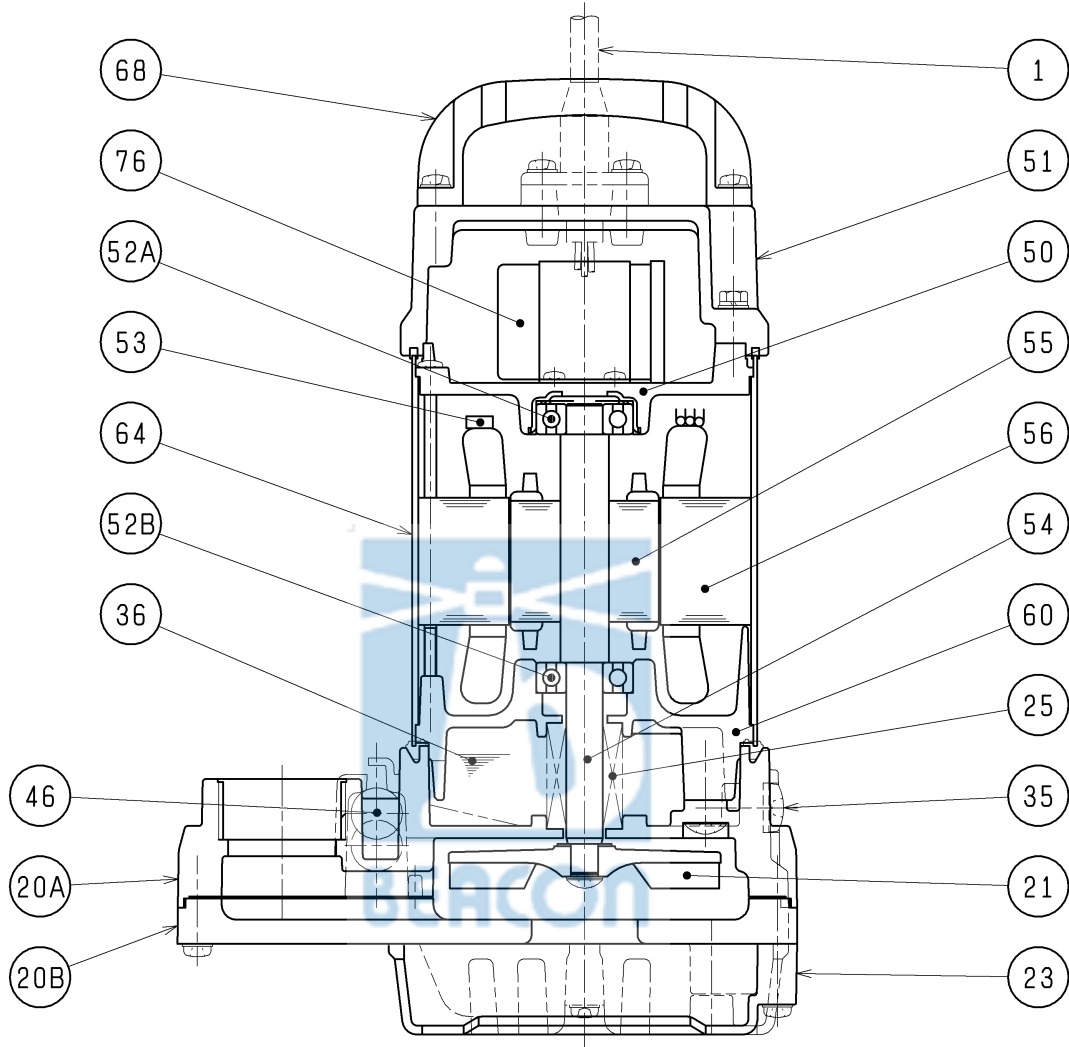
Approximate Weight (※)
5.9kg

※excluding cable



C.W.L. :Continuous running Water Level
 L.W.L. :Lowest running Water Level

SECTIONAL DRAWING		No.	No. A-19854-1
TYPE	Compact Submersible Wastewater Pump	MODEL	OM3



REQ. SPECIFICATION

No.	DESCRIPTION	Q'TY	MATERIAL / NOTE	No.	DESCRIPTION	Q'TY	MATERIAL / NOTE
1	Cable	1	PVC Sheath	52B	Lower Bearing	1	6201ZCC3
20A	Casing-upper Half	1	Plastic W/GF	53	Motor Protector	1	
20B	Casing-lower Half	1	Plastic W/GF	54	Shaft	1	Stainless Steel 420J2
21	Impeller	1	Plastic W/GF	55	Rotor	1	
23	Strainer	1	Plastic	56	Stator Complete	1	
25	Mechanical Seal	1	D-12RC	60	Bearing Housing	1	Aluminium Die Casting
35	Oil Plug	1	Stainless Steel 304	64	Motor Frame	1	Stainless Steel 304
36	Lubricant		Liquid Paraffin (ISO VG32)	68	Handle	1	Plastic
46	Air Release Valve	1	Glass Ball	76	Capacitor	1	
50	Motor Bracket	1	Aluminium Die Casting				
51	Head Cover	1	Plastic W/GF				
52A	Upper Bearing	1	6201ZCC3				

NO. A-19883-1

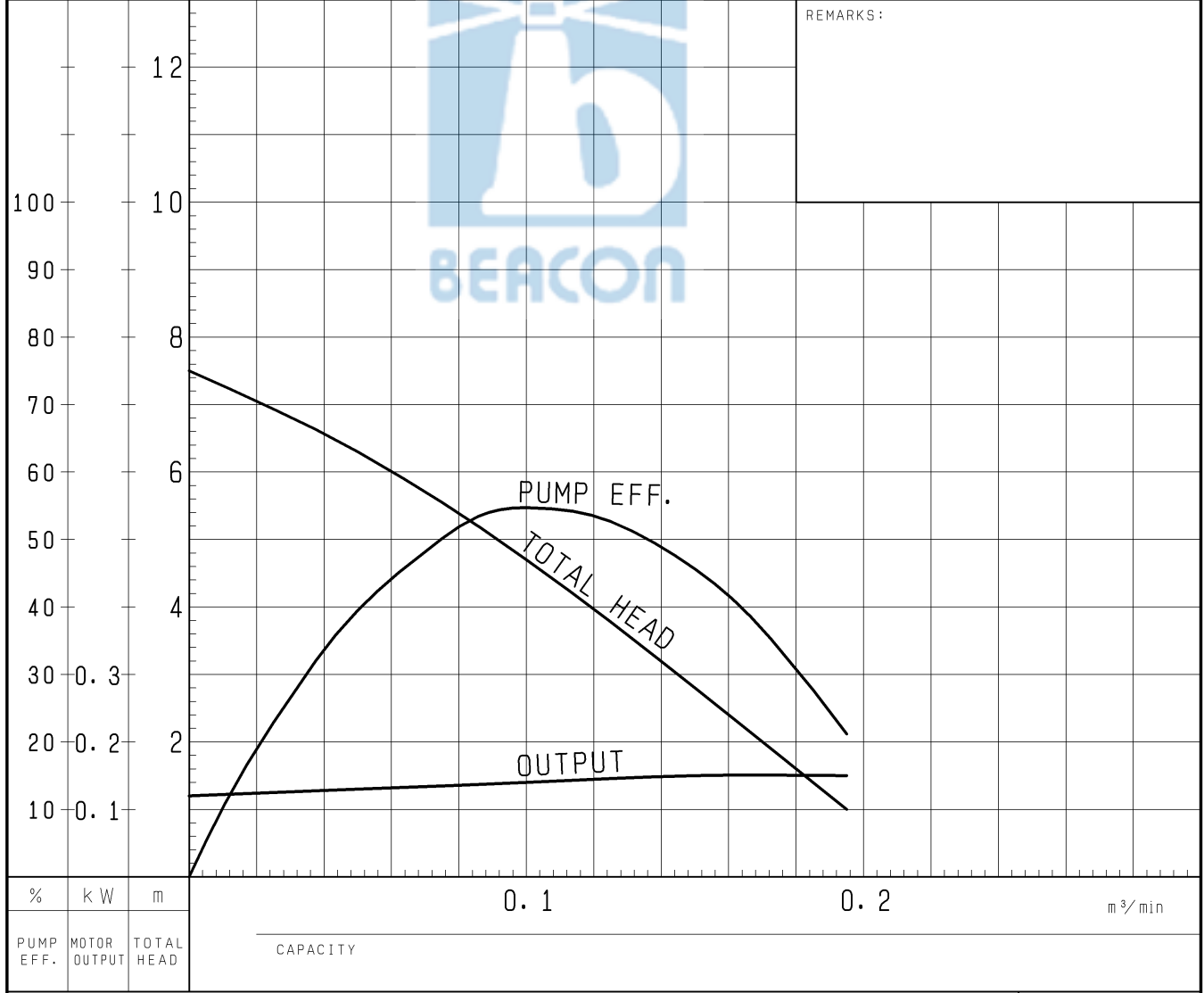
PUMP PERFORMANCE CURVES

TYPE	Compact Submersible Wastewater Pump	MODEL	OMA3	FREQUENCY	50 Hz
------	-------------------------------------	-------	------	-----------	-------

CUSTOMER'S NAME _____

EQUIPMENT TITLE _____ NO. _____

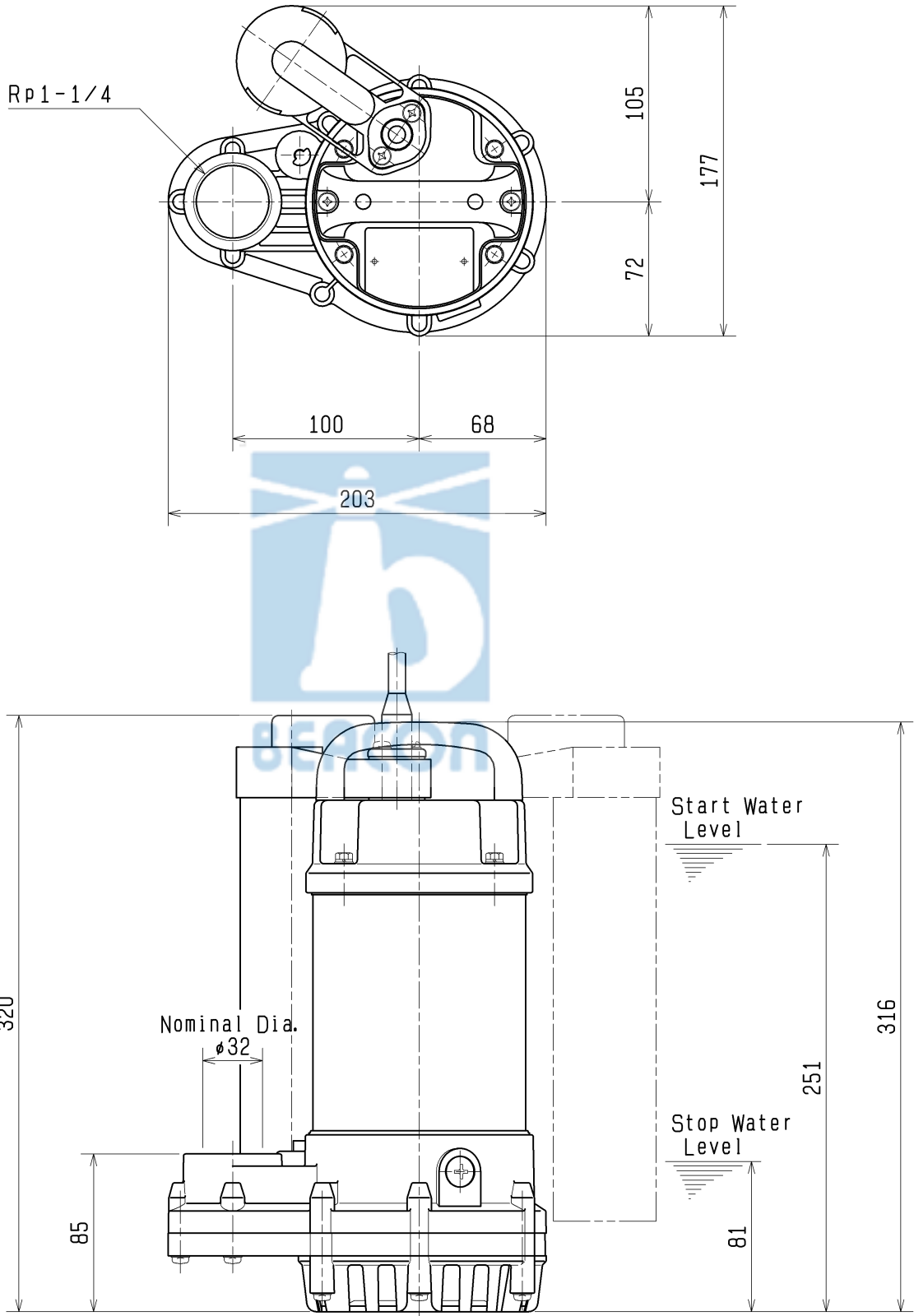
	STANDARD SPECIFICATIONS	REQUIRED SPECIFICATIONS
DISCHARGE BORE	32 mm	mm
TOTAL HEAD	MAX. 7.5 m	m
CAPACITY	MAX. 0.195 m ³ /min	m ³ /min
MOTOR OUTPUT	0.15 kW	kW
PHASE x VOLTAGE	1 ϕ x V	ϕ x V
CURRENT	A	A
POLES / REVOLUTION	2 P / s. s. 3000 min ⁻¹	P / min ⁻¹
STARTING METHOD	CAPACITOR MOTOR	
INSULATION CLASS	E	



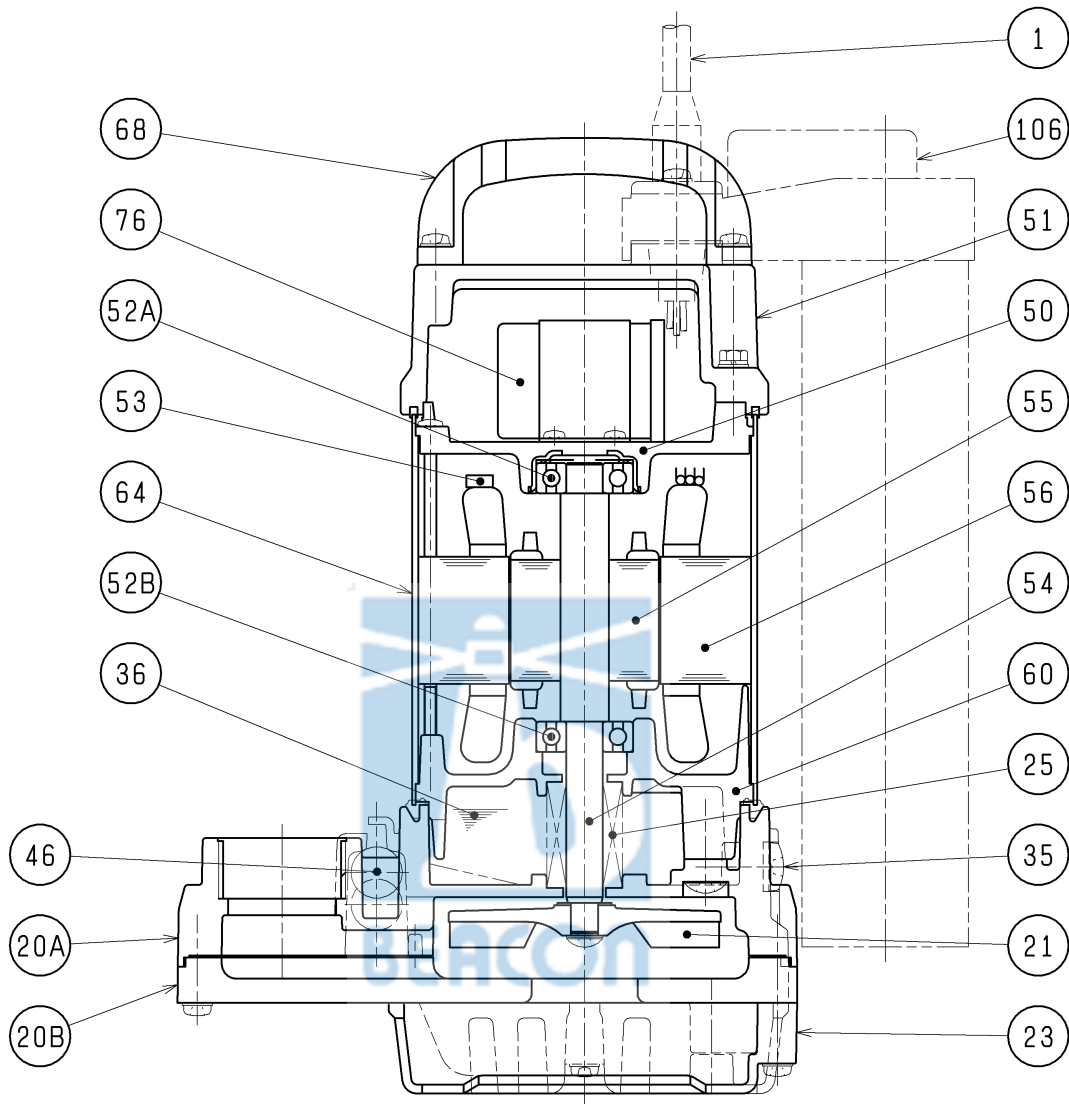
TSURUMI MFG. CO., LTD.

DIMENSION DRAWING		No.	No. A-19853-1
TYPE	Compact Submersible Wastewater Pump (Automatic)	MODEL	OMA3

Approximate Weight (※)
6.1kg
※excluding cable



SECTIONAL DRAWING		No.	No. A-19855-1
TYPE	Compact Submersible Wastewater Pump (Automatic)	MODEL	OMA3



REQ. SPECIFICATION	

No.	DESCRIPTION	QTY	MATERIAL / NOTE	No.	DESCRIPTION	QTY	MATERIAL / NOTE
1	Cable	1	PVC Sheath	52B	Lower Bearing	1	6201ZCC3
20A	Casing-upper Half	1	Plastic W/GF	53	Motor Protector	1	
20B	Casing-lower Half	1	Plastic W/GF	54	Shaft	1	Stainless Steel 420J2
21	Impeller	1	Plastic W/GF	55	Rotor	1	
23	Strainer	1	Plastic	56	Stator Complete	1	
25	Mechanical Seal	1	D-12RC	60	Bearing Housing	1	Aluminium Die Casting
35	Oil Plug	1	Stainless Steel 304	64	Motor Frame	1	Stainless Steel 304
36	Lubricant		Liquid Paraffin (ISO VG32)	68	Handle	1	Plastic
46	Air Release Valve	1	Glass Ball	76	Capacitor	1	
50	Motor Bracket	1	Aluminium Die Casting	106	Float	1	Plastic
51	Head Cover	1	Plastic W/GF				
52A	Upper Bearing	1	6201ZCC3				