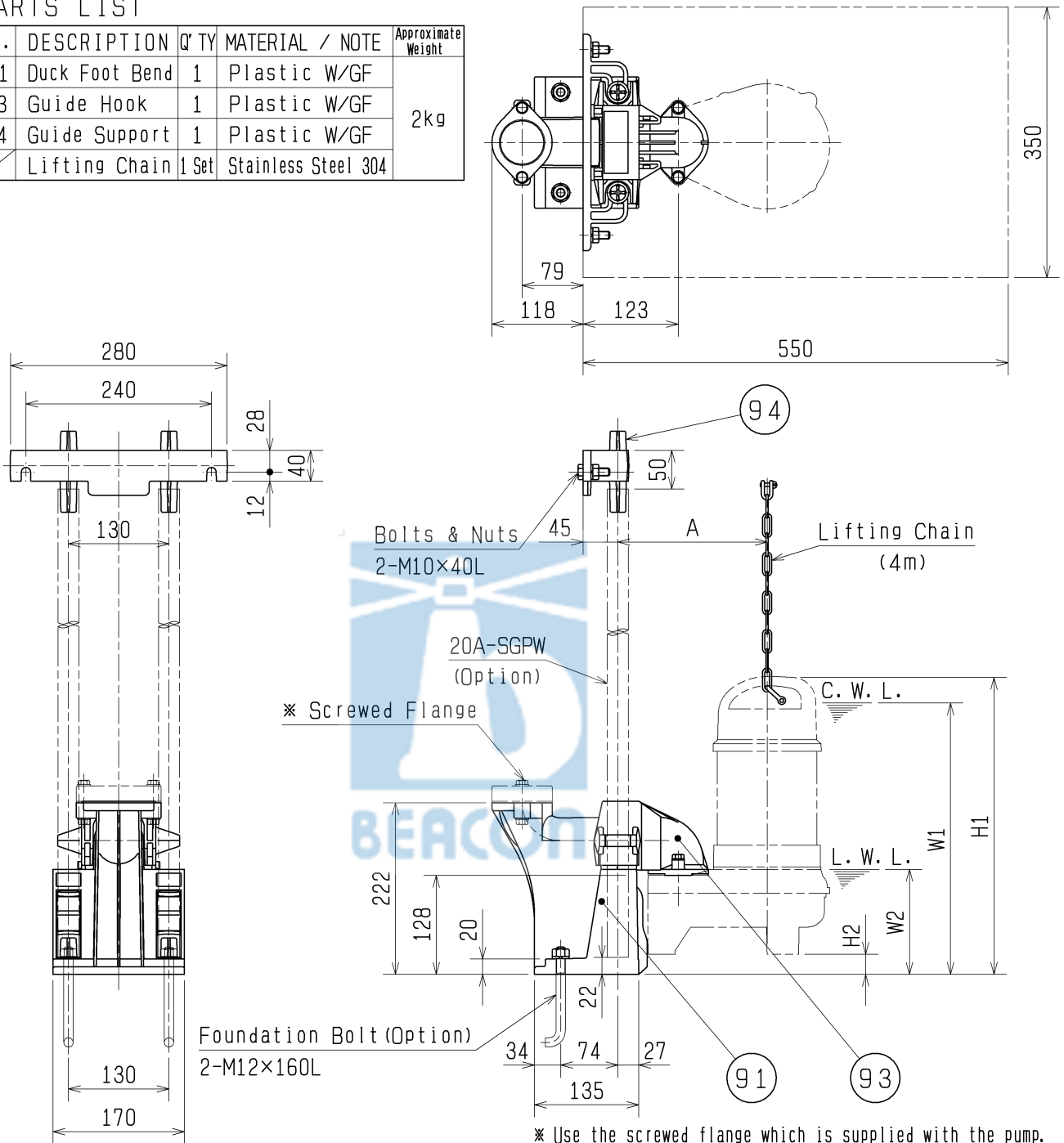


DIMENSION DRAWING		No.	No. A-19567-1
TYPE	Guide Rail Fittings	MODEL	TOK4-P (VANCS)

PARTS LIST

No.	DESCRIPTION	Q'TY	MATERIAL / NOTE	Approximate Weight
91	Duck Foot Bend	1	Plastic W/GF	2kg
93	Guide Hook	1	Plastic W/GF	
94	Guide Support	1	Plastic W/GF	
	Lifting Chain	1 Set	Stainless Steel 304	



\* Use the screwed flange which is supplied with the pump.

C. W. L. :Continuous running Water Level  
L. W. L. :Lowest running Water Level

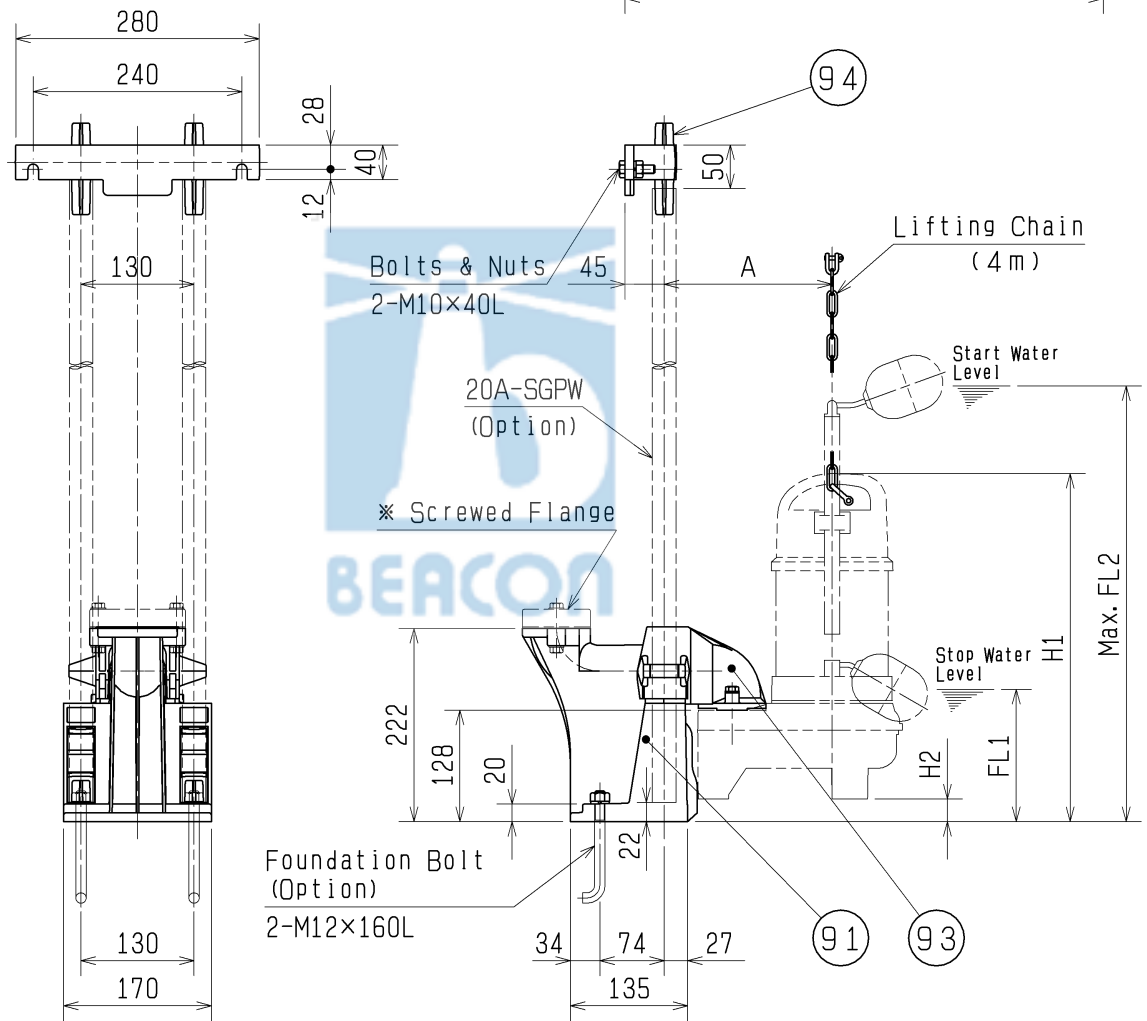
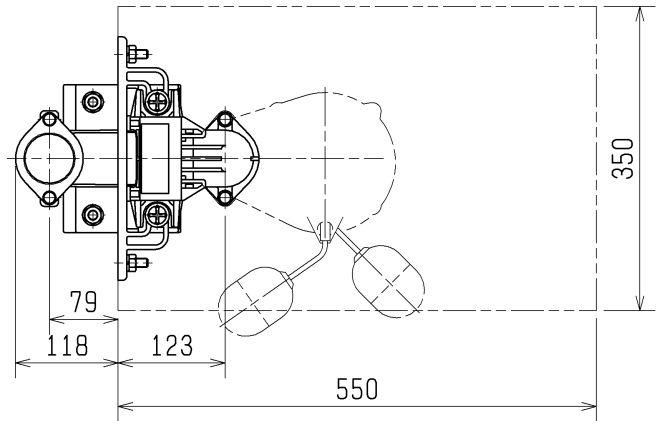
MODEL	H1	H2	W1	W2	A
40PU2. 15S -54/64	409	32	372	137	188
40PU2. 15 -53/63	409	32	372	137	188
40PU2. 25S -52/62	386	26	351	136	193
40PU2. 25 -52/62	375	26	336	136	193
50PU2. 25 -52/62	375	26	336	136	193
50PU2. 4S -52/62	386	26	351	136	193
50PU2. 4 -52/62	386	26	351	136	193
50PU2. 75 -52/62	400	26	361	136	193

MODEL	H1	H2	W1	W2	A
32PN2. 15S -52/62	411	32	372	137	188
32PN2. 15 -52/62	411	32	372	137	188
40PN2. 25S -52/62	386	26	351	136	193
40PN2. 25 -52/62	375	26	336	136	193
50PN2. 4S -52/62	386	26	351	136	193
50PN2. 4 -52/62	386	26	351	136	193
50PN2. 75 -52/62	400	26	361	136	193
40PSF2. 25S -52/62	386	26	351	136	193
40PSF2. 25 -52/62	375	26	336	136	193
40PSF2. 4S -52/62	386	26	351	136	193
40PSF2. 4 -52/62	386	26	351	136	193
50PSF2. 75 -52/62	400	26	361	136	193

DIMENSION DRAWING		No.	No. A-19568-1
TYPE	Guide Rail Fittings	MODEL	TOK4-P (VANCS Automatic)

PARTS LIST

No.	DESCRIPTION	Q'TY	MATERIAL / NOTE	Approximate Weight
91	Duck Foot Bend	1	Plastic W/GF	2kg
93	Guide Hook	1	Plastic W/GF	
94	Guide Support	1	Plastic W/GF	
	Lifting Chain	1 Set	Stainless Steel 304	



MODEL	H1	H2	FL1	FL2	A
40PUA2.25S -52/62	400	26	141	633	193
40PUA2.25 -52/62	389	26	141	622	193
50PUA2.4S -52/62	400	26	141	633	193
50PUA2.4 -52/62	400	26	141	633	193
50PUA2.75 -52/62	414	26	141	647	193
40PNA2.25S -52/62	400	26	141	633	193
40PNA2.25 -52/62	389	26	141	622	193
50PNA2.4S -52/62	400	26	141	633	193
50PNA2.4 -52/62	400	26	141	633	193
50PNA2.75 -52/62	414	26	141	647	193

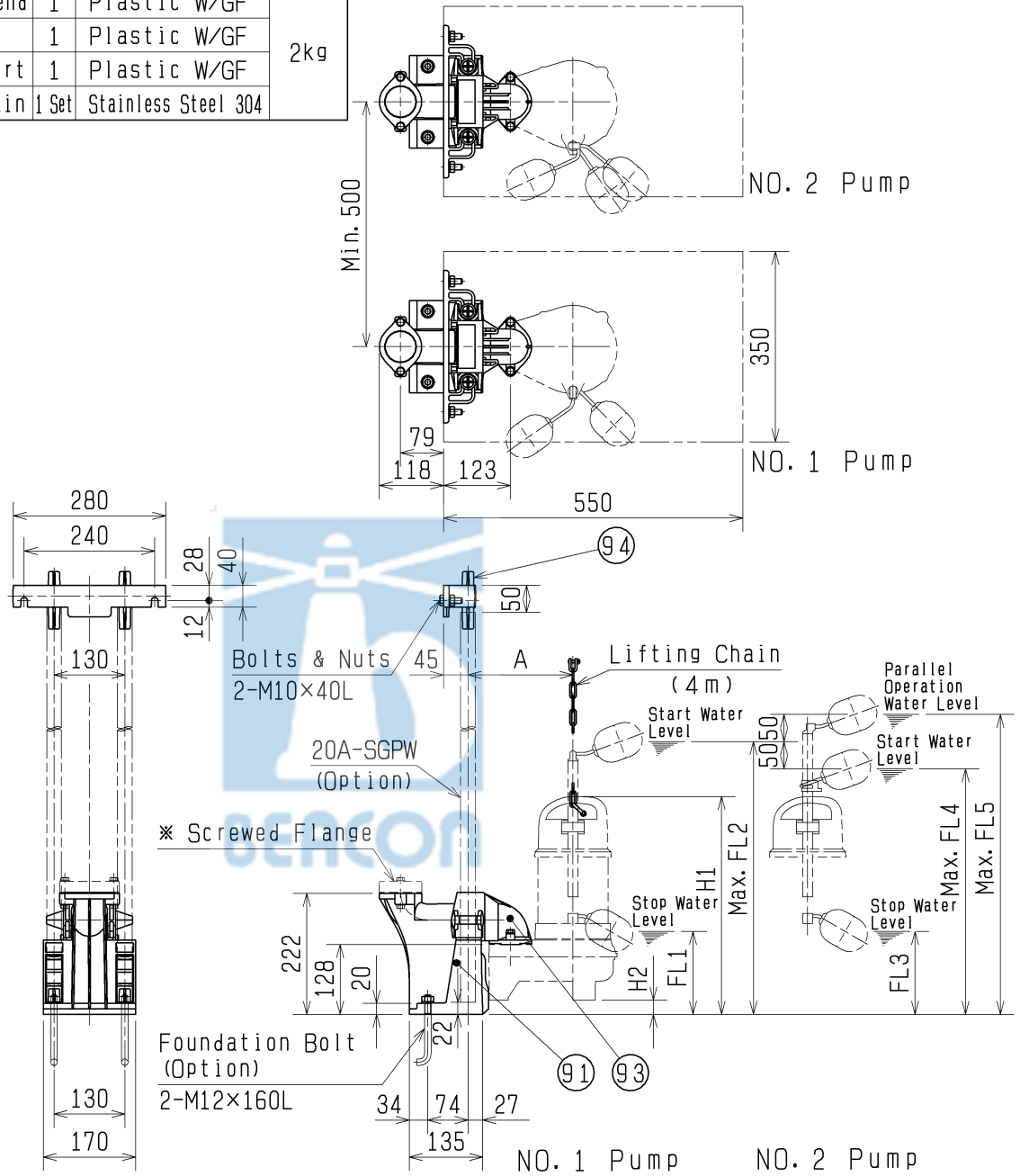
\* Use the screwed flange which is supplied with the pump.

MODEL	H1	H2	FL1	FL2	A
40PSFA2.15S -54/64	409	32	142	641	188
40PSFA2.15 -53/63	409	32	142	641	188
32PNA2.15S -52/62	411	32	144	643	188
32PNA2.15 -52/62	411	32	144	643	188
40PSFA2.25S -52/62	400	26	141	633	193
40PSFA2.25 -52/62	389	26	141	622	193
40PSFA2.4S -52/62	400	26	141	633	193
40PSFA2.4 -52/62	400	26	141	633	193
40PSFA2.75 -52/62	414	26	141	647	193

DIMENSION DRAWING		No.	No.
TYPE Guide Rail Fittings		MODEL TOK4-P (VANCS Auto-Alternation)	
		No. A-19569-1	

## PARTS LIST

No.	DESCRIPTION	Q'TY	MATERIAL / NOTE	Approximate Weight
91	Duck Foot Bend	1	Plastic W/GF	2kg
93	Guide Hook	1	Plastic W/GF	
94	Guide Support	1	Plastic W/GF	
	Lifting Chain	1 Set	Stainless Steel 304	



MODEL	H1	H2	FL1	FL2	FL3	FL4	FL5	A
40PUW2. 25S -52/62	400	26	141	633	141	583	683	193
40PUW2. 25 -52/62	389	26	141	622	141	572	672	193
50PUW2. 4S -52/62	400	26	141	633	141	583	683	193
50PUW2. 4 -52/62	400	26	141	633	141	583	683	193
50PUW2. 75 -52/62	414	26	141	647	141	597	697	193
40PNW2. 25S -52/62	400	26	141	633	141	583	683	193
40PNW2. 25 -52/62	389	26	141	622	141	572	672	193
50PNW2. 4S -52/62	400	26	141	633	141	583	683	193
50PNW2. 4 -52/62	400	26	141	633	141	583	683	193
50PNW2. 75 -52/62	414	26	141	647	141	597	697	193

MODEL	H1	H2	FL1	FL2	FL3	FL4	FL5	A
40PUW2. 15S -54/64	409	32	142	641	142	591	691	188
40PUW2. 15 -53/63	409	32	142	641	142	591	691	188
32PNW2. 15S -52/62	411	32	144	643	144	593	693	188
32PNW2. 15 -52/62	411	32	144	643	144	593	693	188
40PSFW2. 25S -52/62	400	26	141	633	141	583	683	193
40PSFW2. 25 -52/62	389	26	141	622	141	572	672	193
40PSFW2. 4S -52/62	400	26	141	633	141	583	683	193
40PSFW2. 4 -52/62	400	26	141	633	141	583	683	193
40PSFW2. 75 -52/62	414	26	141	647	141	597	697	193