

NO. A-20596-1

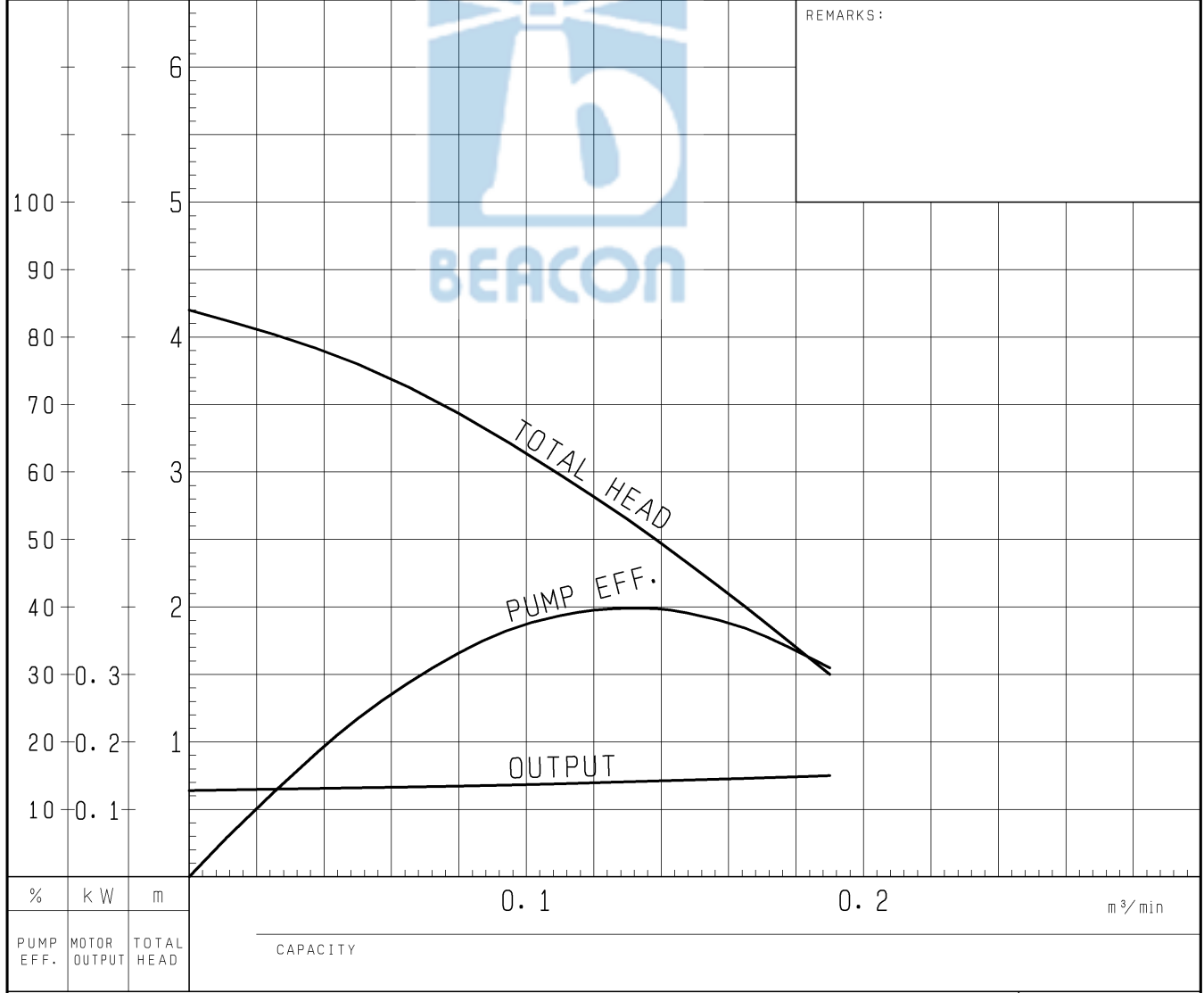
PUMP PERFORMANCE CURVES

TYPE Submersible Horizontal Vortex Pump	MODEL 50PLS2.15S -52	FREQUENCY 50 Hz
--	----------------------	-----------------

CUSTOMER'S NAME _____

EQUIPMENT TITLE _____ NO. _____

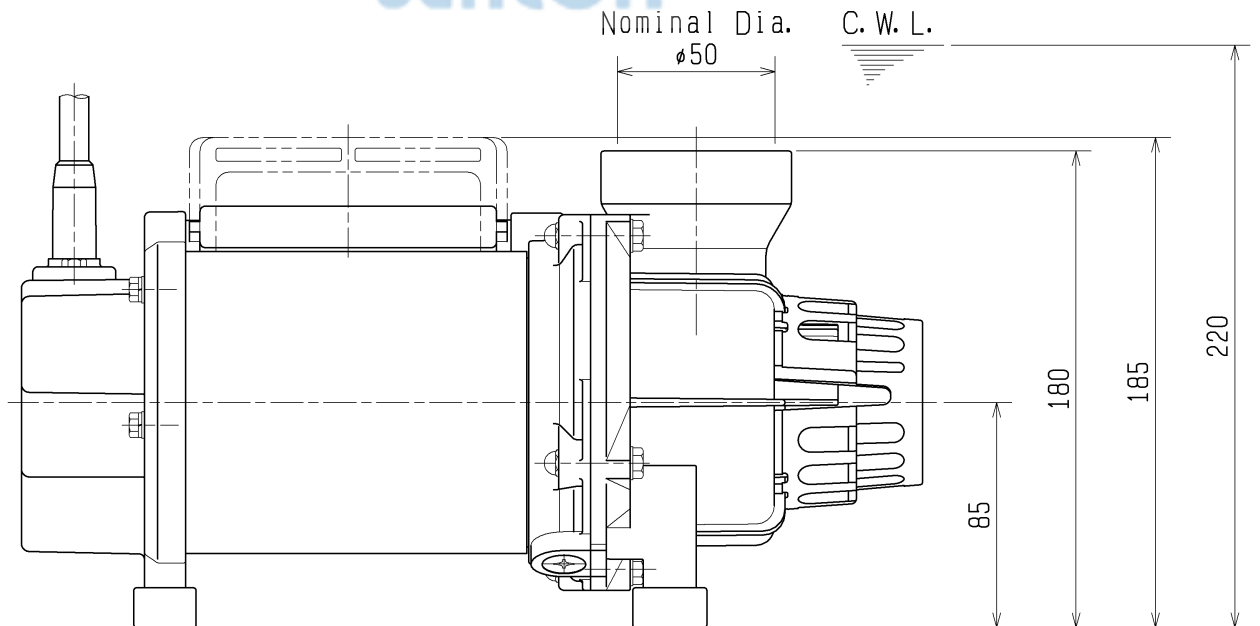
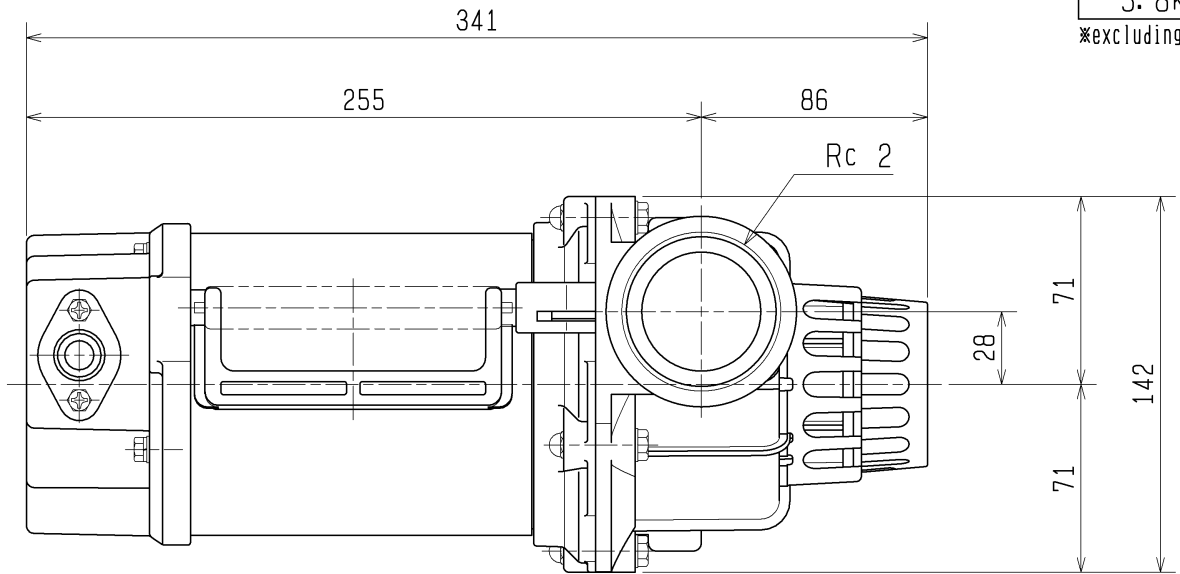
	STANDARD SPECIFICATIONS	REQUIRED SPECIFICATIONS
DISCHARGE BORE	50 mm	mm
TOTAL HEAD	MAX. 4.2 m	m
CAPACITY	MAX. 0.19 m ³ /min	m ³ /min
MOTOR OUTPUT	0.15 kW	kW
PHASE x VOLTAGE	1 ϕ x V	ϕ x V
CURRENT	A	A
POLES / REVOLUTION	2 P / S. S. 3000 min ⁻¹	P / min ⁻¹
STARTING METHOD	CAPACITOR MOTOR	
INSULATION CLASS	E	



TSURUMI MFG. CO., LTD.

DIMENSION DRAWING		No.	No. A-20602-1
TYPE	Submersible Horizontal Vortex Pump	MODEL	50PLS2.15S -52/62

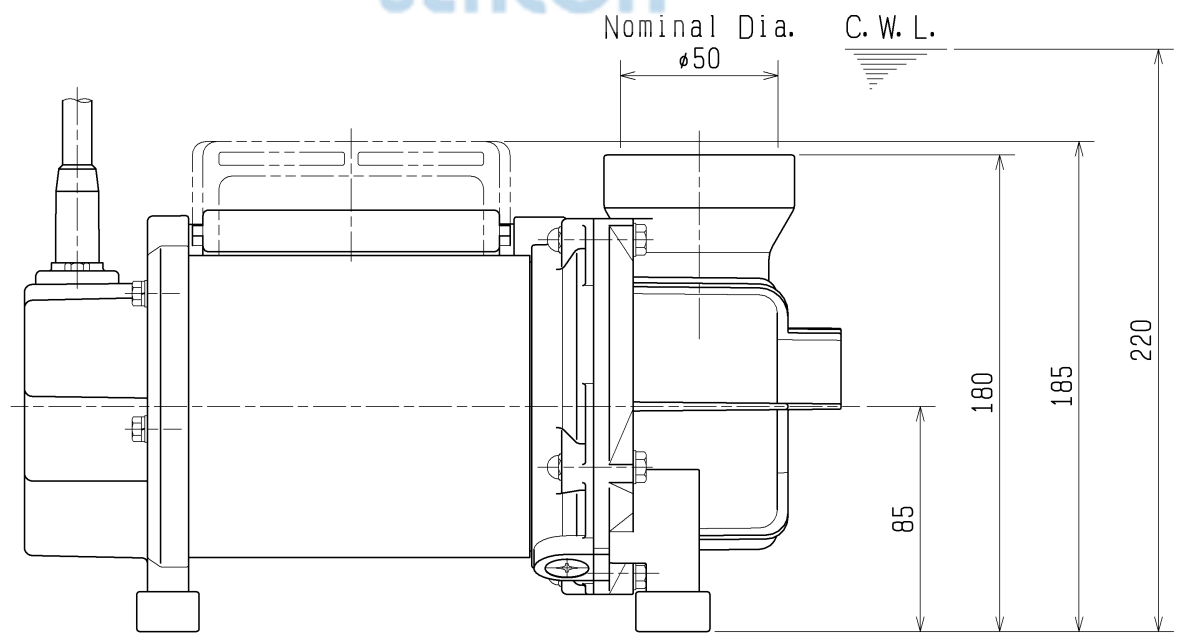
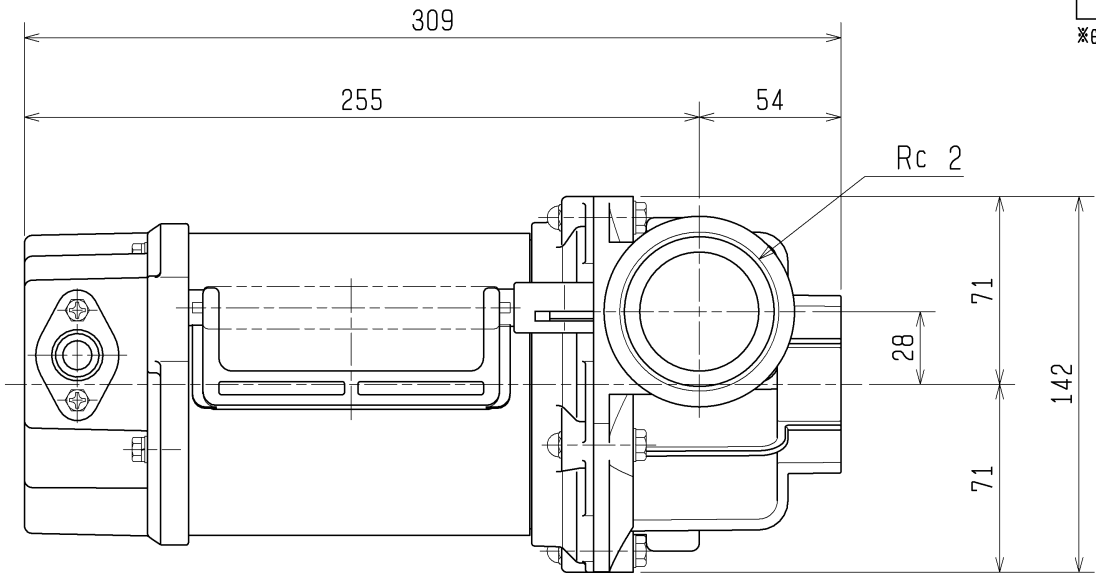
Approximate Weight (※)
5.8kg
※excluding cable



C.W.L. :Continuous running Water Level

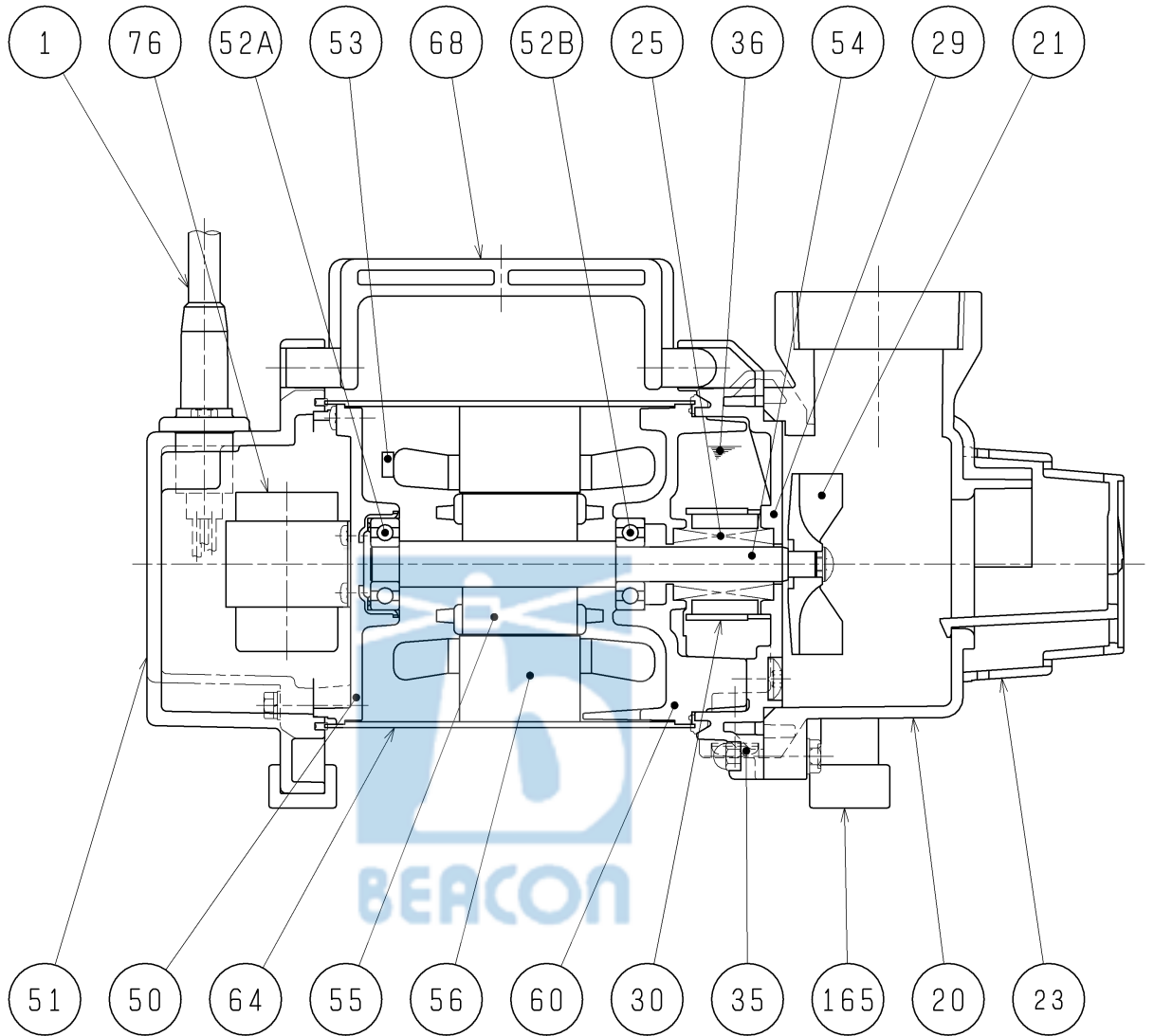
DIMENSION DRAWING		No.	No.	A-20603-1
TYPE	Submersible Horizontal Vortex Pump	MODEL	50PLS2.15S -52/62	

Approximate Weight (※)
5.8kg
※excluding cable



C.W.L. :Continuous running Water Level

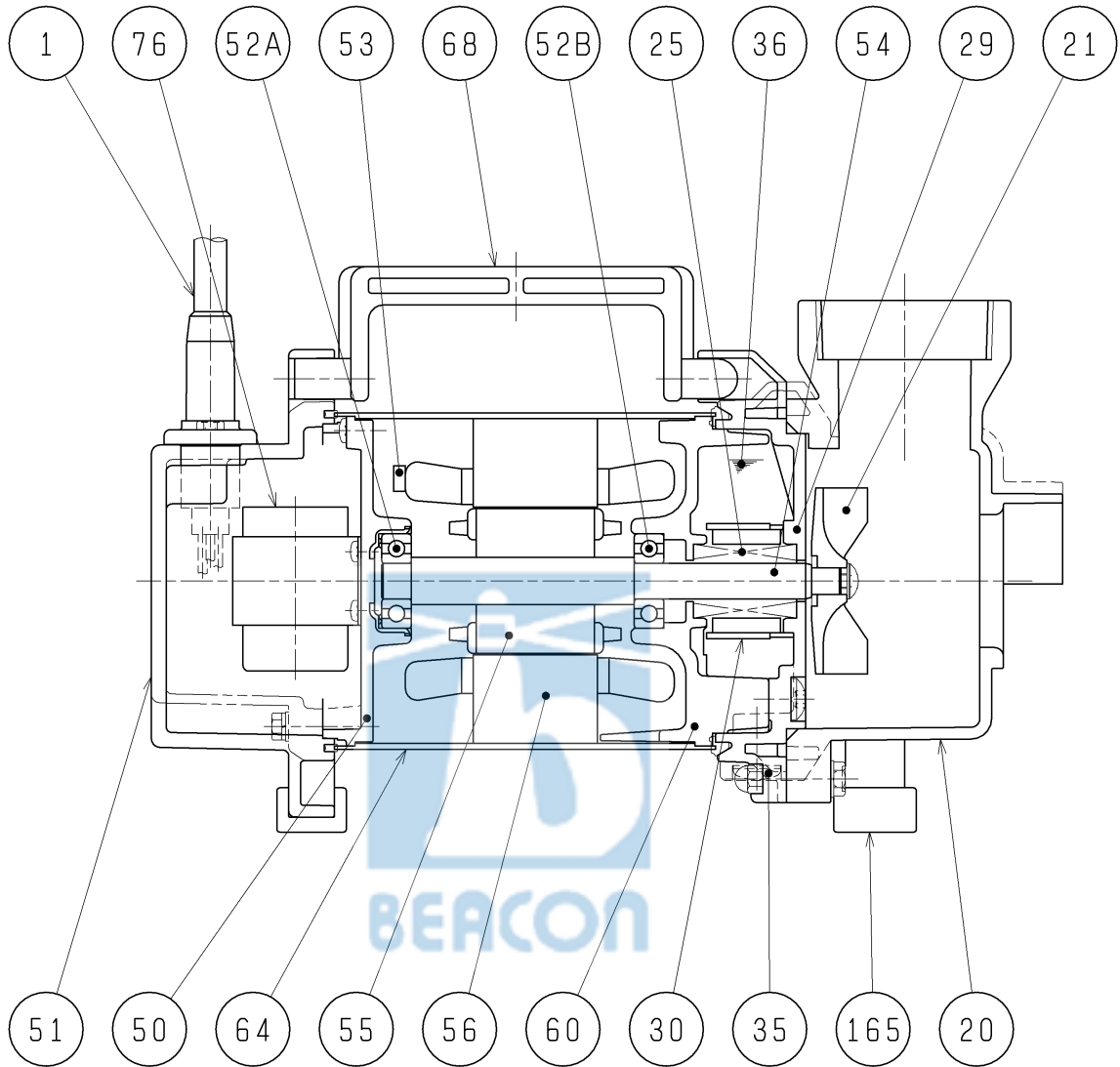
SECTIONAL DRAWING		No.	No. A-20608-1
TYPE	Submersible Horizontal Vortex Pump	MODEL	50PLS2.15S -52/62



REQ. SPECIFICATION

No.	DESCRIPTION	Q'TY	MATERIAL / NOTE	No.	DESCRIPTION	Q'TY	MATERIAL / NOTE
1	Cable	1	PVC Sheath	52B	Bearing	1	6201ZCC3
20	Pump Casing	1	Plastic W/GF	53	Motor Protector	1	
21	Impeller	1	Plastic W/GF	54	Shaft	1	Stainless Steel 420J2
23	Strainer	1	Plastic	55	Rotor	1	
25	Mechanical Seal	1	D-12RC	56	Stator Complete	1	
29	Oil Casing	1	Plastic W/GF	60	Bearing Housing	1	Aluminium Die Casting
30	Oil Lifter	1	Plastic	64	Motor Frame	1	Stainless Steel 304
35	Oil Plug	1	Stainless Steel 304	68	Handle	1	Plastic W/GF
36	Lubricant		Liquid Paraffin (ISO VG32)	76	Capacitor	1	
50	Motor Bracket	1	Aluminium Die Casting	165	Rubber Foot	3	Nitrile Butadiene Rubber
51	Head Cover	1	Plastic W/GF				
52A	Bearing	1	6201ZCC3				

SECTIONAL DRAWING		No.	No. A-20609-1
TYPE	Submersible Horizontal Vortex Pump	MODEL	50PLS2.15S -52/62



REQ. SPECIFICATION

No.	DESCRIPTION	Q'TY	MATERIAL / NOTE	No.	DESCRIPTION	Q'TY	MATERIAL / NOTE
1	Cable	1	PVC Sheath	53	Motor Protector	1	
20	Pump Casing	1	Plastic W/GF	54	Shaft	1	Stainless Steel 420J2
21	Impeller	1	Plastic W/GF	55	Rotor	1	
25	Mechanical Seal	1	D-12RC	56	Stator Complete	1	
29	Oil Casing	1	Plastic W/GF	60	Bearing Housing	1	Aluminium Die Casting
30	Oil Lifter	1	Plastic	64	Motor Frame	1	Stainless Steel 304
35	Oil Plug	1	Stainless Steel 304	68	Handle	1	Plastic W/GF
36	Lubricant		Liquid Paraffin (ISO VG32)	76	Capacitor	1	
50	Motor Bracket	1	Aluminium Die Casting	165	Rubber Foot	3	Nitrile Butadiene Rubber
51	Head Cover	1	Plastic W/GF				
52A	Bearing	1	6201ZZC3				
52B	Bearing	1	6201ZZC3				

NO. A-20598-1

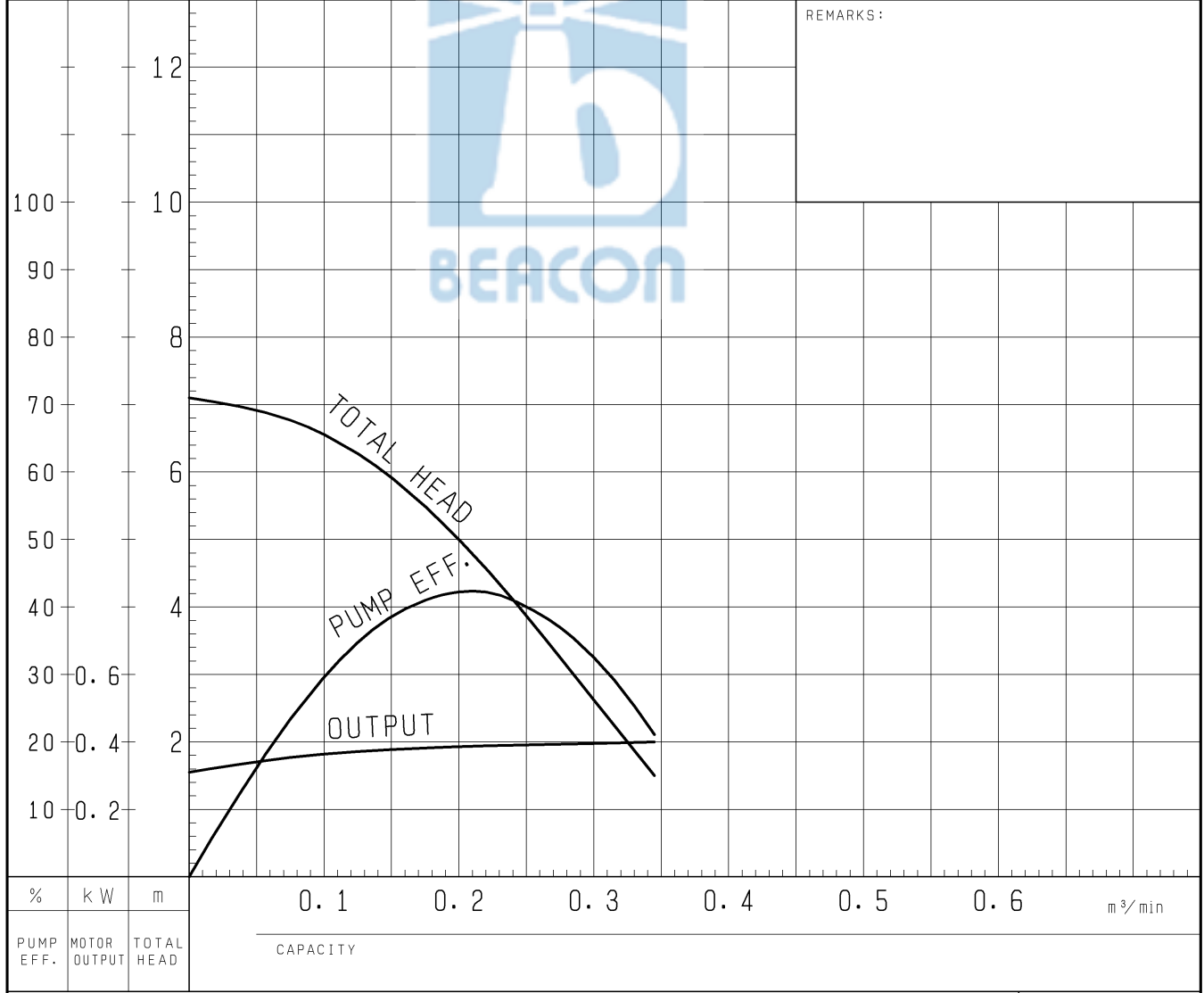
PUMP PERFORMANCE CURVES

TYPE Submersible Horizontal Vortex Pump	MODEL 50PLS2.4S -51	FREQUENCY 50 Hz
--	---------------------	-----------------

CUSTOMER'S NAME _____

EQUIPMENT TITLE _____ NO. _____

	STANDARD SPECIFICATIONS	REQUIRED SPECIFICATIONS
DISCHARGE BORE	50 mm	mm
TOTAL HEAD	MAX. 7.1 m	m
CAPACITY	MAX. 0.34 m ³ /min	m ³ /min
MOTOR OUTPUT	0.4 kW	kW
PHASE x VOLTAGE	1 ϕ x V	ϕ x V
CURRENT	A	A
POLES / REVOLUTION	2 P / S. S. 3000 min ⁻¹	P / min ⁻¹
STARTING METHOD	CAPACITOR MOTOR	
INSULATION CLASS	E	

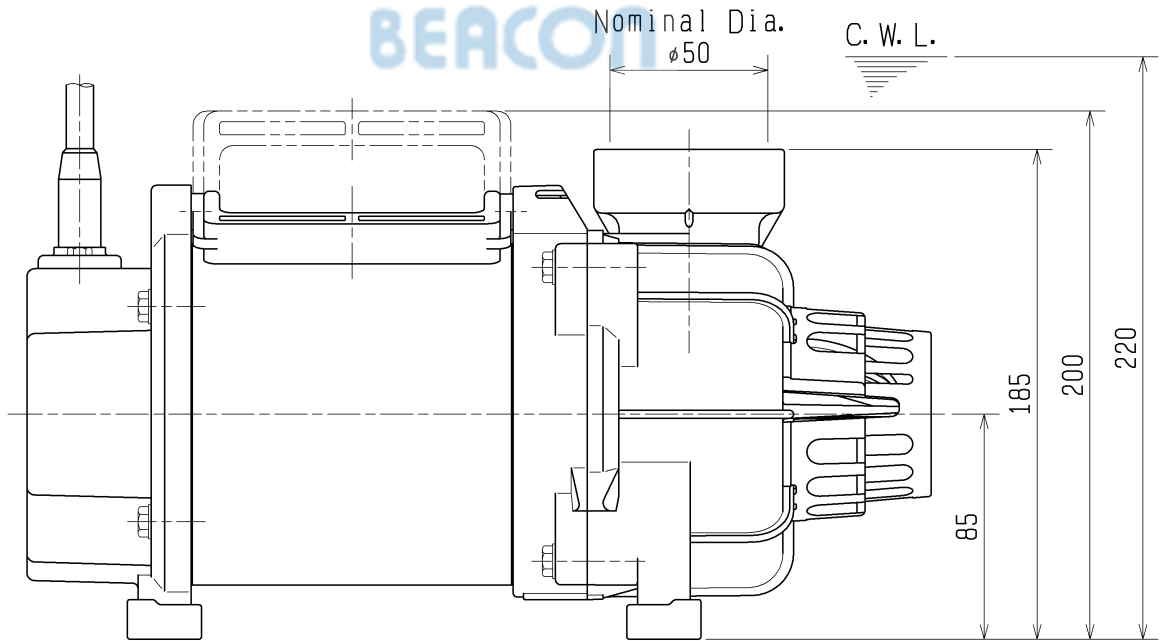
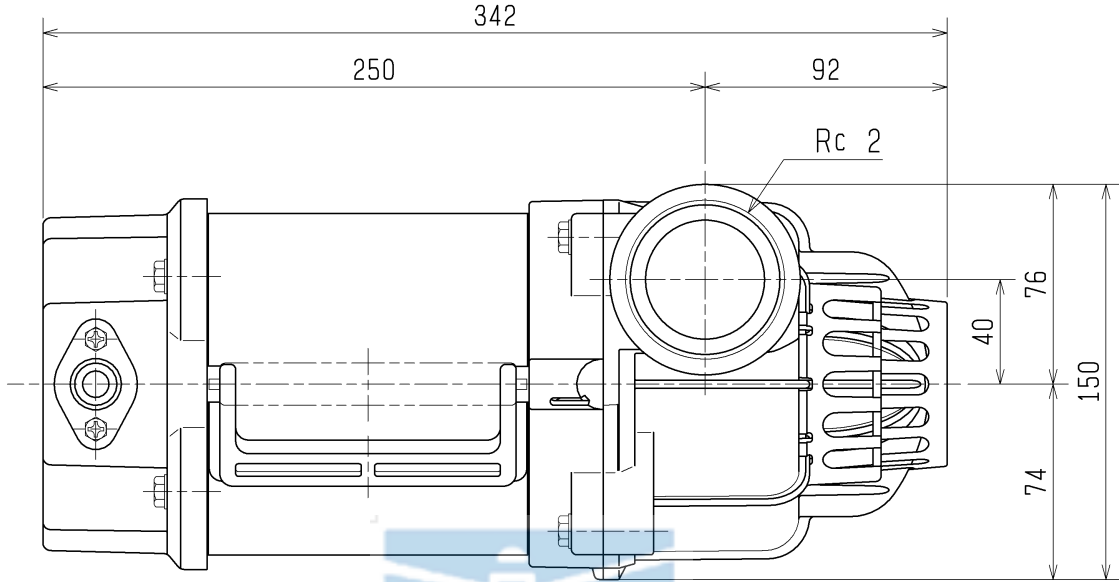


TSURUMI MFG. CO., LTD.

DIMENSION DRAWING		No.	No. A-20604-1
TYPE	Submersible Horizontal Vortex Pump	MODEL	50PLS2.4S -51/61

Approximate Weight(※)
6.7kg

※excluding cable

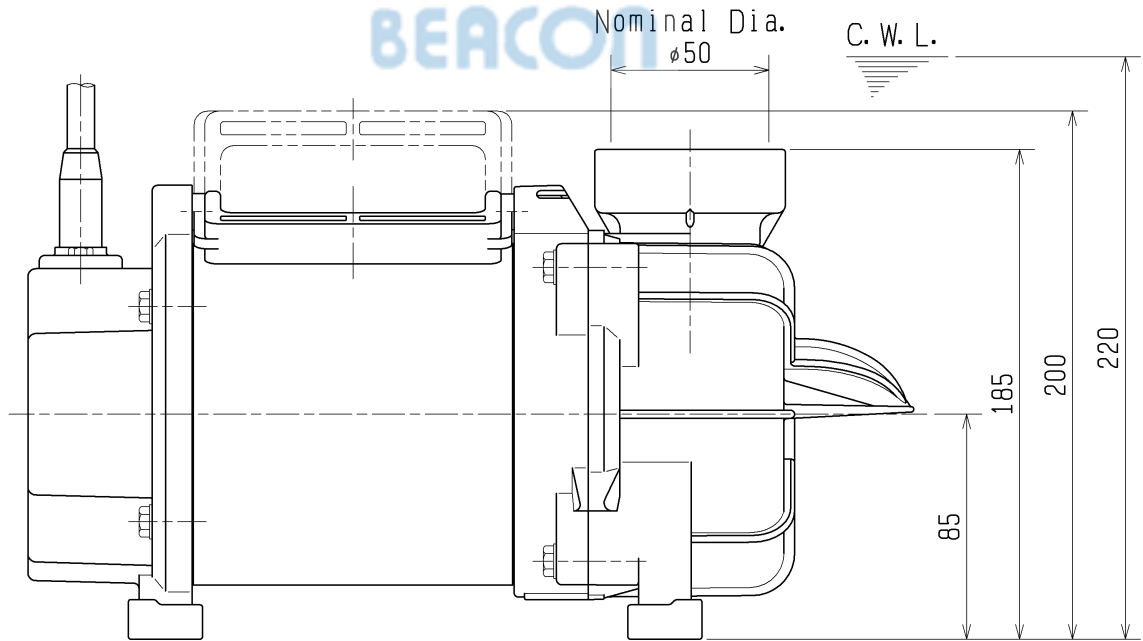
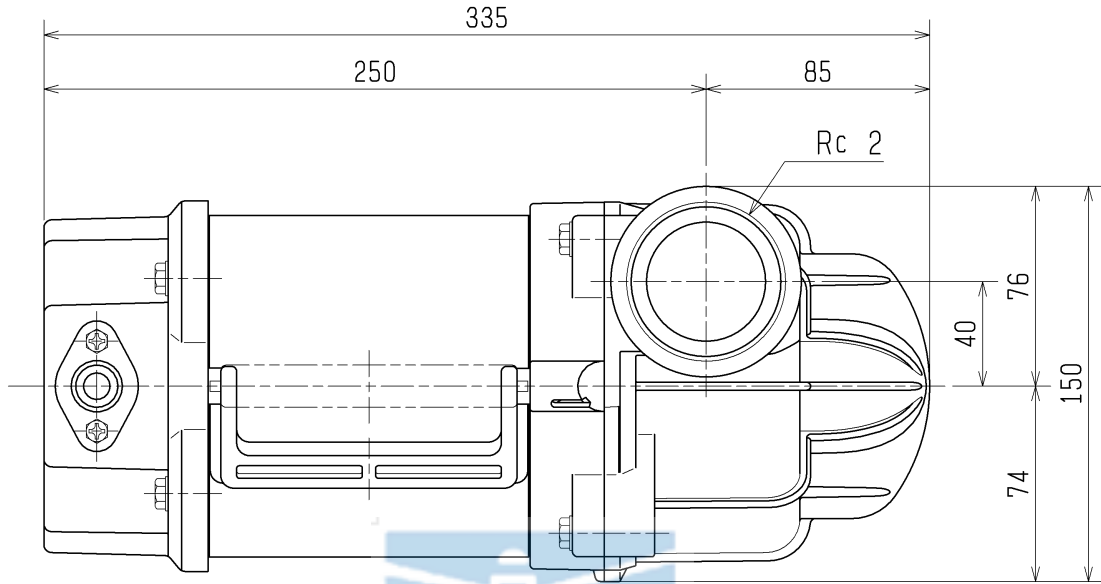


C.W.L. :Continuous running Water Level

DIMENSION DRAWING		No.	No. A-20605-1
TYPE	Submersible Horizontal Vortex Pump	MODEL	50PLS2.4S -51/61

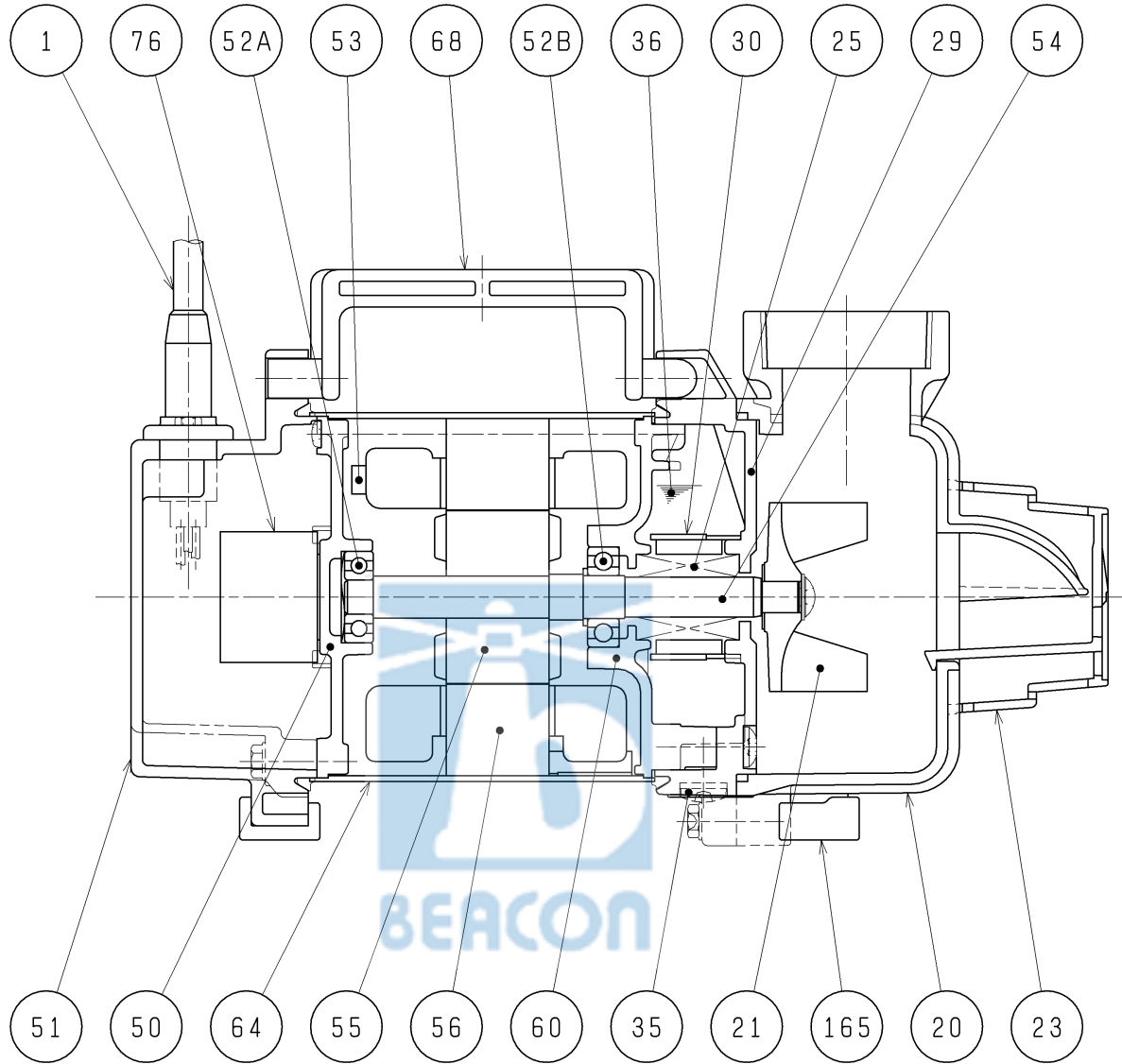
Approximate Weight (※)
6.7kg

※excluding cable



C.W.L. :Continuous running Water Level

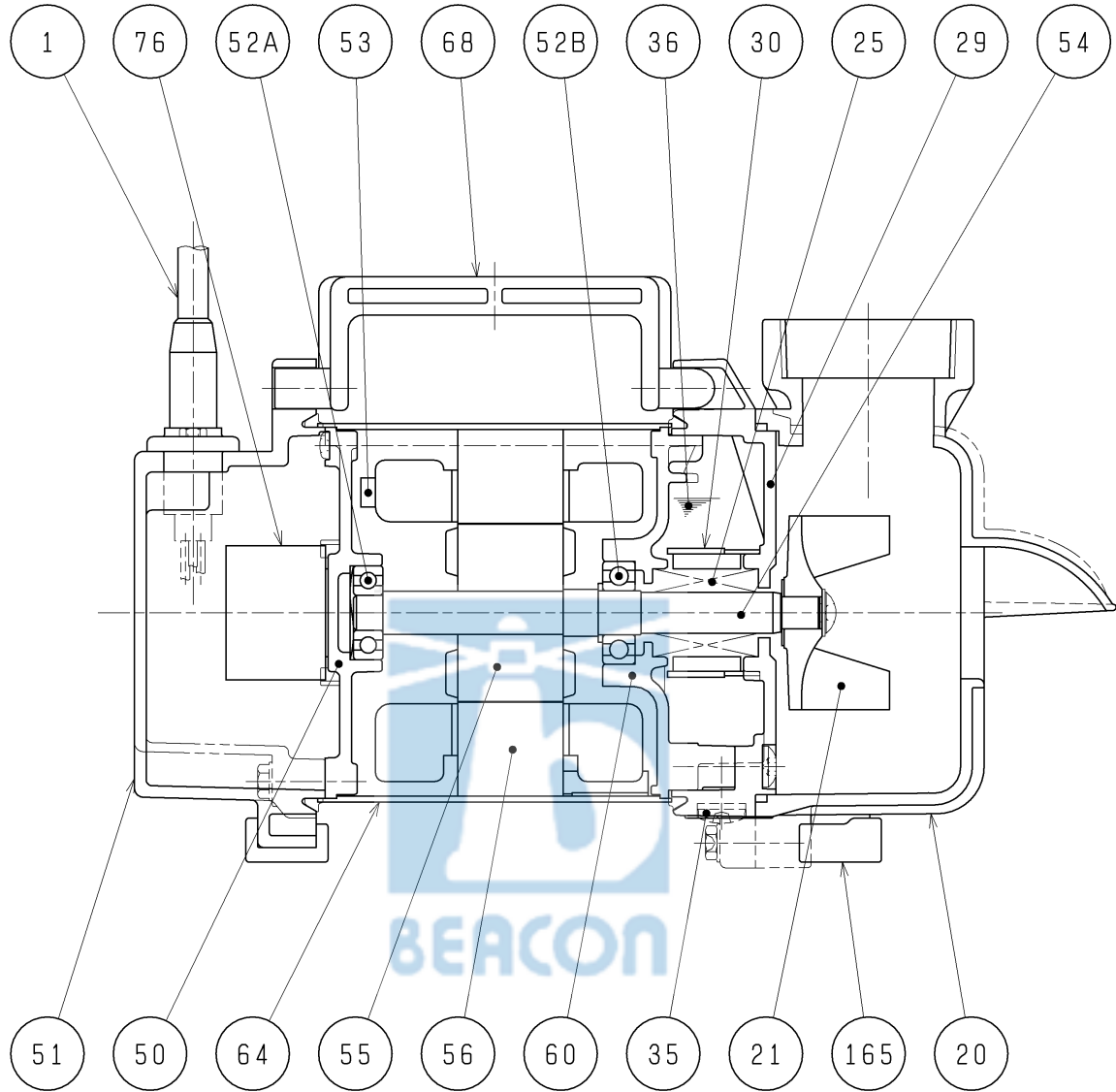
SECTIONAL DRAWING		No.	No. A-20610-1
TYPE	Submersible Horizontal Vortex Pump	MODEL	50PLS2.4S -51/61



REQ. SPECIFICATION

No.	DESCRIPTION	Q'TY	MATERIAL / NOTE	No.	DESCRIPTION	Q'TY	MATERIAL / NOTE
1	Cable	1	PVC Sheath	52B	Bearing	1	6202ZC3
20	Pump Casing	1	Plastic W/GF	53	Motor Protector	1	
21	Impeller	1	Plastic W/GF	54	Shaft	1	Stainless Steel 304
23	Strainer	1	Plastic	55	Rotor	1	
25	Mechanical Seal	1	W-14HC	56	Stator Complete	1	
29	Oil Casing	1	Plastic W/GF	60	Bearing Housing	1	Aluminium Die Casting
30	Oil Lifter	1	Plastic	64	Motor Frame	1	Stainless Steel 304
35	Oil Plug	1	Stainless Steel 304	68	Handle	1	Plastic W/GF
36	Lubricant		Liquid Paraffin (ISO VG32)	76	Capacitor	1	
50	Motor Bracket	1	Aluminium Die Casting	165	Rubber Foot	3	Nitrile Butadiene Rubber
51	Head Cover	1	Plastic W/GF				
52A	Bearing	1	6201ZC3				

SECTIONAL DRAWING		No.	No. A-20611-1
TYPE	Submersible Horizontal Vortex Pump	MODEL	50PLS2.4S -51/61



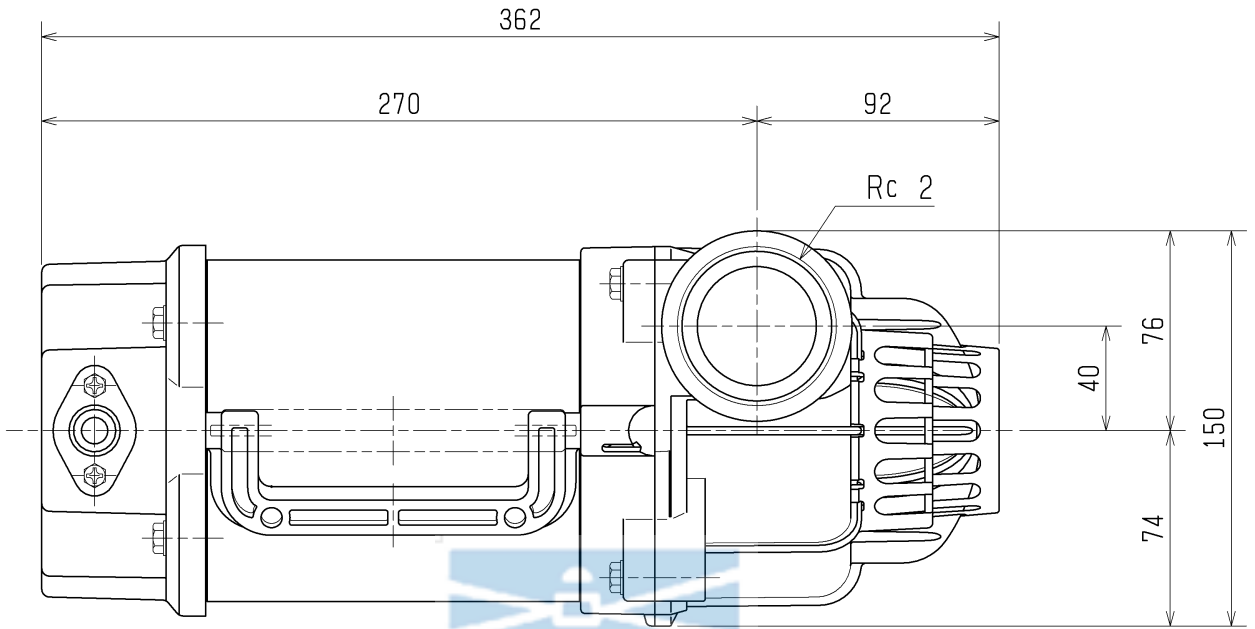
REQ. SPECIFICATION

No.	DESCRIPTION	Q'TY	MATERIAL / NOTE	No.	DESCRIPTION	Q'TY	MATERIAL / NOTE
1	Cable	1	PVC Sheath	53	Motor Protector	1	
20	Pump Casing	1	Plastic W/GF	54	Shaft	1	Stainless Steel 304
21	Impeller	1	Plastic W/GF	55	Rotor	1	
25	Mechanical Seal	1	W-14HC	56	Stator Complete	1	
29	Oil Casing	1	Plastic W/GF	60	Bearing Housing	1	Aluminium Die Casting
30	Oil Lifter	1	Plastic	64	Motor Frame	1	Stainless Steel 304
35	Oil Plug	1	Stainless Steel 304	68	Handle	1	Plastic W/GF
36	Lubricant		Liquid Paraffin (ISO VG32)	76	Capacitor	1	
50	Motor Bracket	1	Aluminium Die Casting	165	Rubber Foot	3	Nitrile Butadiene Rubber
51	Head Cover	1	Plastic W/GF				
52A	Bearing	1	6201ZZC3				
52B	Bearing	1	6202ZZC3				

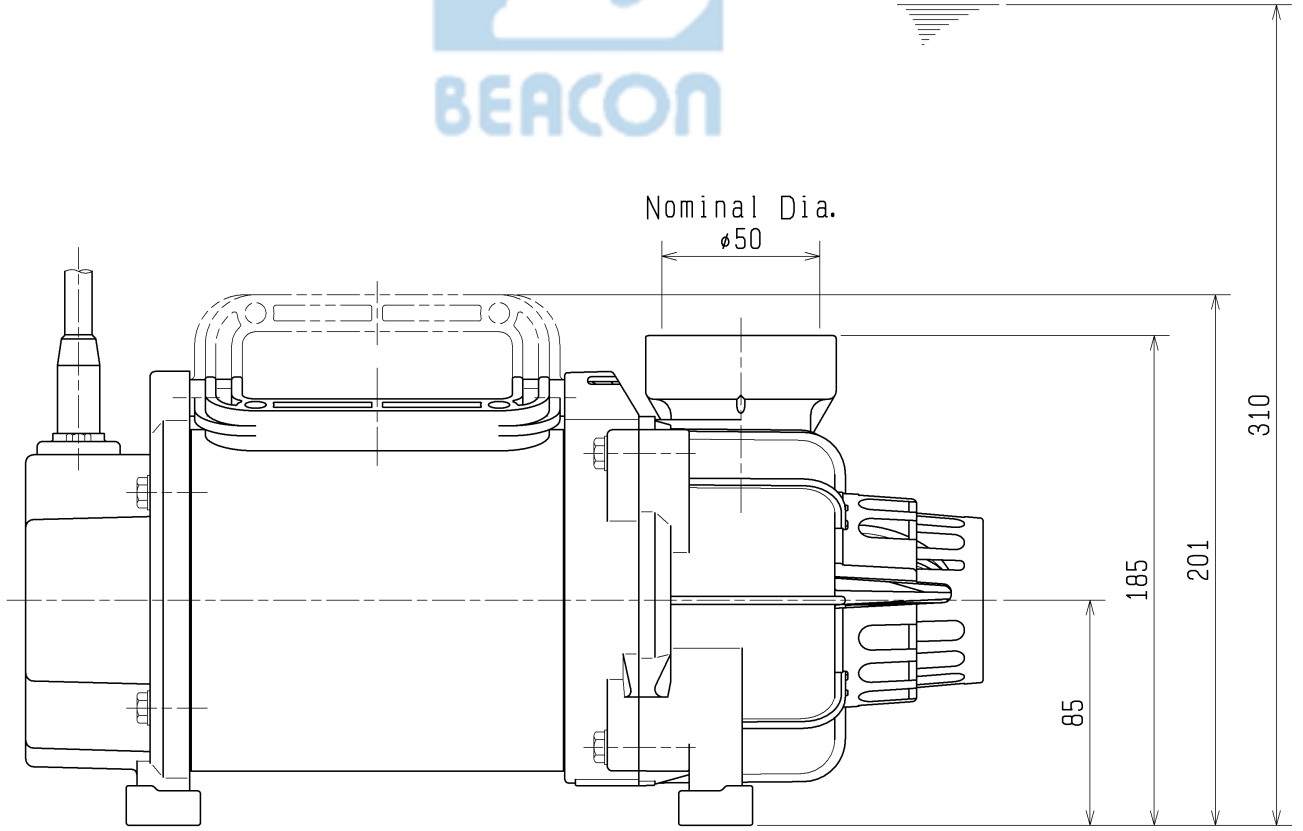
DIMENSION DRAWING		No.	No. A-20606-1
TYPE	Submersible Horizontal Vortex Pump	MODEL	50PLS2.75S -51/61

Approximate Weight (※)
8.6kg

※excluding cable



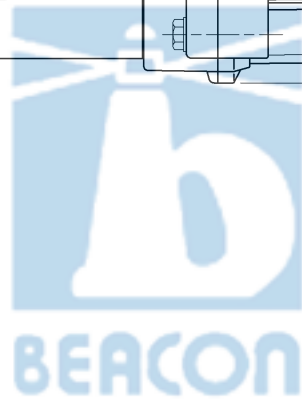
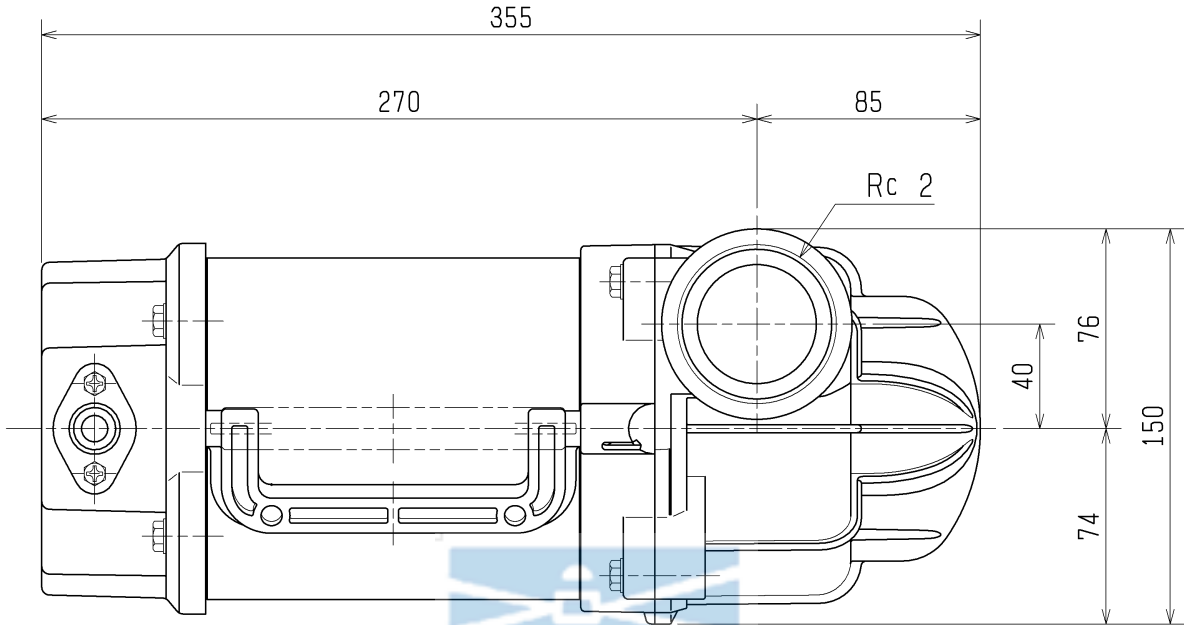
C. W. L.



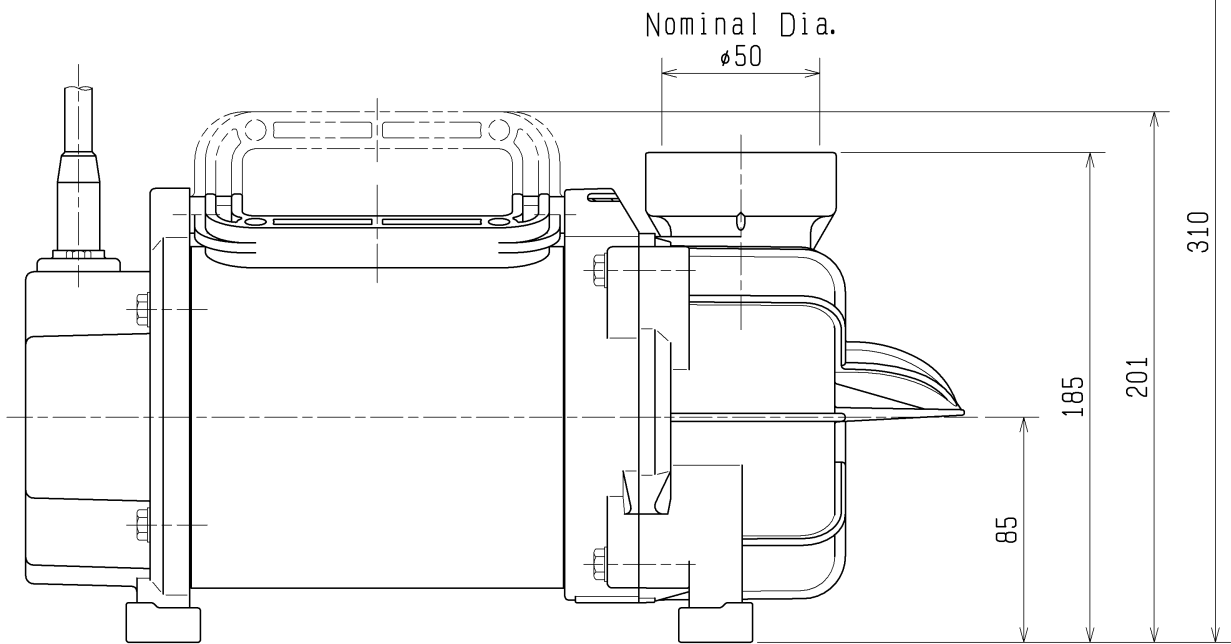
C. W. L. :Continuous running Water Level

DIMENSION DRAWING		No.	No. A-20607-1
TYPE	Submersible Horizontal Vortex Pump	MODEL	50PLS2.75S -51/61

Approximate Weight (※)
8.6kg
※excluding cable

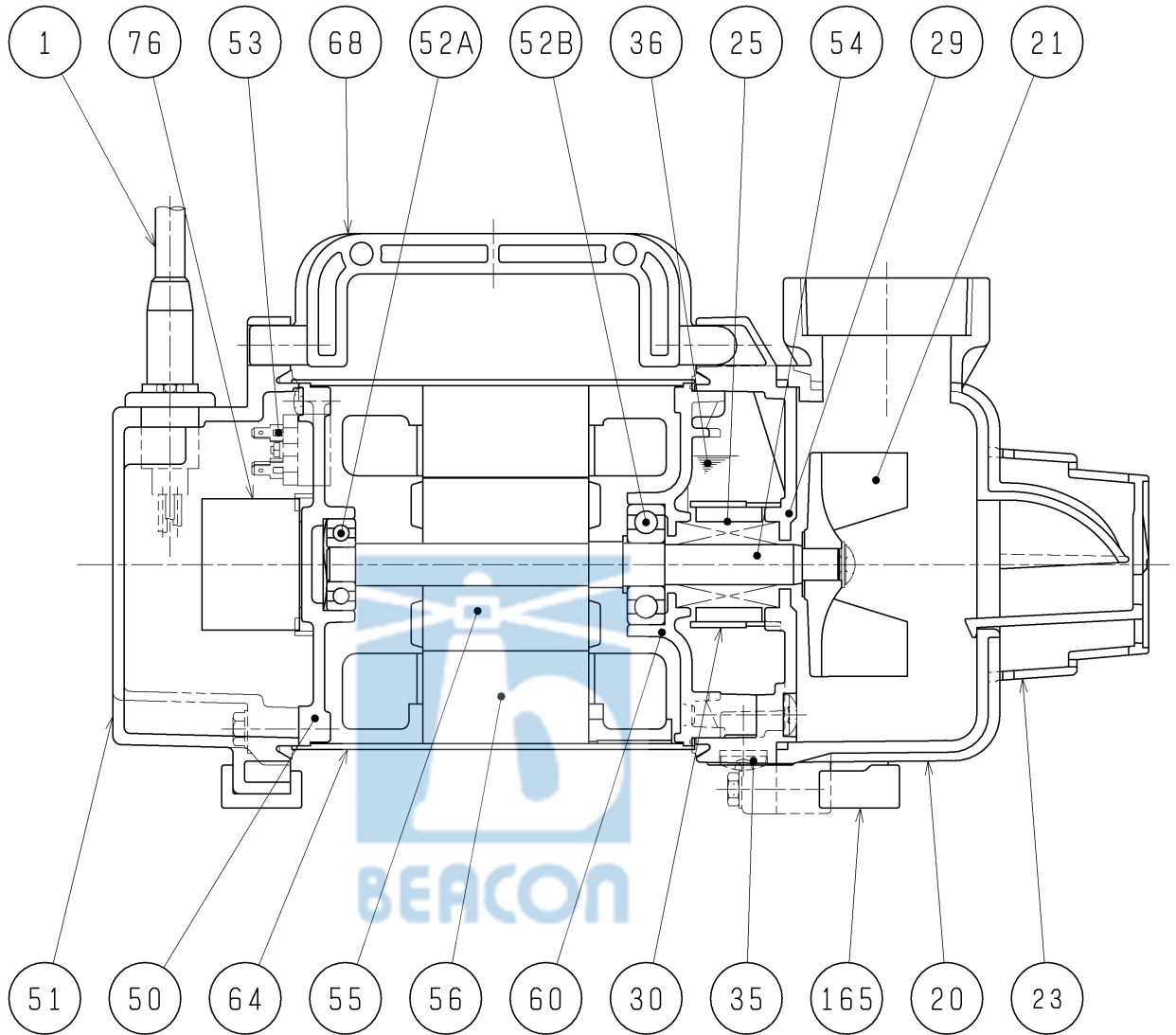


C. W. L.



C. W. L. :Continuous running Water Level

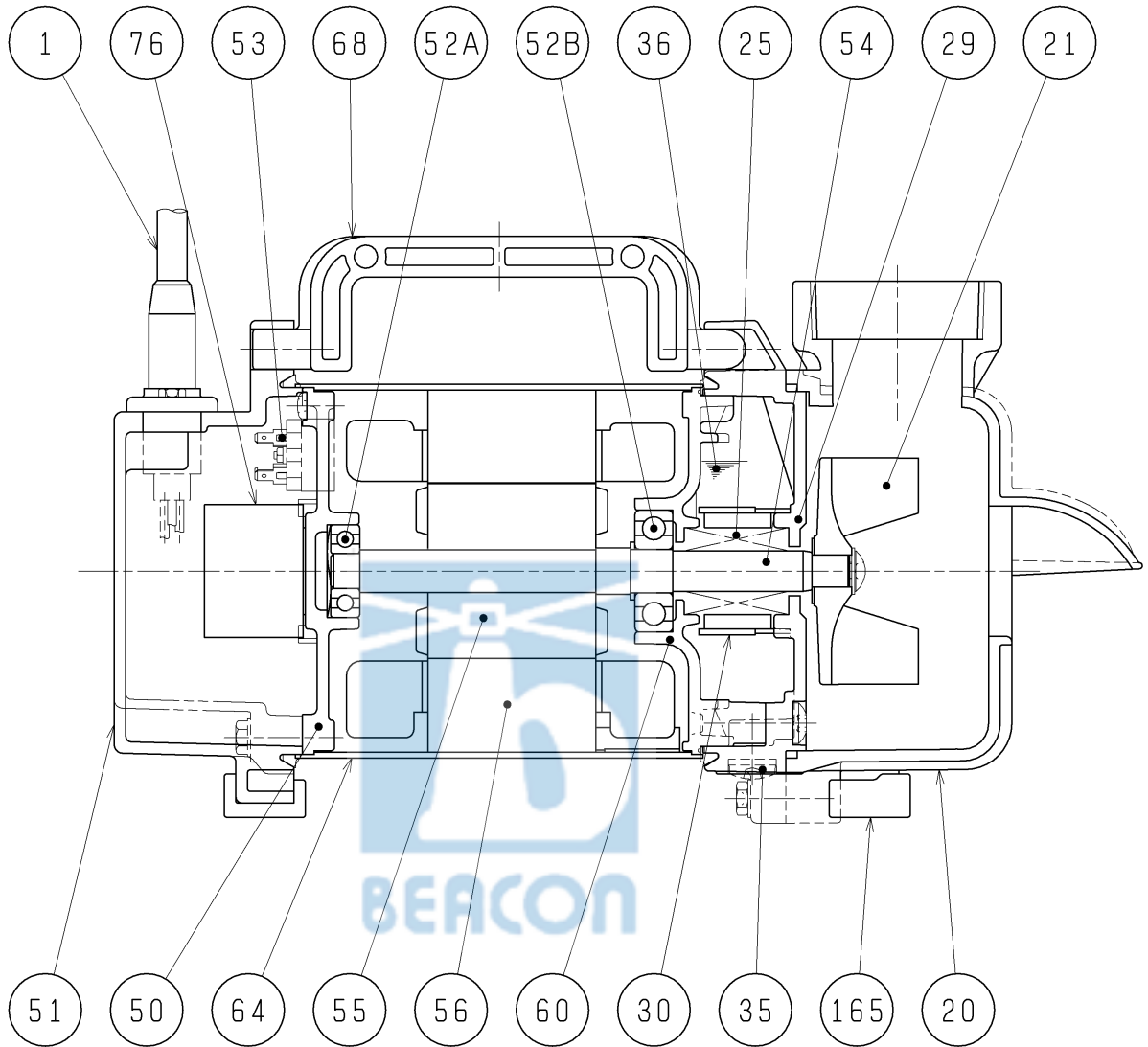
SECTIONAL DRAWING		No.	No. A-20612-1
TYPE	Submersible Horizontal Vortex Pump	MODEL	50PLS2.75S -51/61



REQ. SPECIFICATION

No.	DESCRIPTION	Q'TY	MATERIAL / NOTE	No.	DESCRIPTION	Q'TY	MATERIAL / NOTE
1	Cable	1	PVC Sheath	52B	Bearing	1	6302ZCC3
20	Pump Casing	1	Plastic W/GF	53	Motor Protector	1	
21	Impeller	1	Plastic W/GF	54	Shaft	1	Stainless Steel 304
23	Strainer	1	Plastic	55	Rotor	1	
25	Mechanical Seal	1	W-14HC	56	Stator Complete	1	
29	Oil Casing	1	Plastic W/GF	60	Bearing Housing	1	Aluminium Die Casting
30	Oil Lifter	1	Plastic	64	Motor Frame	1	Stainless Steel 304
35	Oil Plug	1	Stainless Steel 304	68	Handle	1	Plastic W/GF
36	Lubricant		Liquid Paraffin (ISO VG32)	76	Capacitor	1	
50	Motor Bracket	1	Aluminium Die Casting	165	Rubber Foot	3	Nitrile Butadiene Rubber
51	Head Cover	1	Plastic W/GF				
52A	Bearing	1	6201ZCC3				

SECTIONAL DRAWING		No.	No. A-20613-1
TYPE	Submersible Horizontal Vortex Pump	MODEL	50PLS2.75S -51/61



REQ. SPECIFICATION

No.	DESCRIPTION	Q'TY	MATERIAL / NOTE	No.	DESCRIPTION	Q'TY	MATERIAL / NOTE
1	Cable	1	PVC Sheath	53	Motor Protector	1	
20	Pump Casing	1	Plastic W/GF	54	Shaft	1	Stainless Steel 304
21	Impeller	1	Plastic W/GF	55	Rotor	1	
25	Mechanical Seal	1	W-14HC	56	Stator Complete	1	
29	Oil Casing	1	Plastic W/GF	60	Bearing Housing	1	Aluminium Die Casting
30	Oil Lifter	1	Plastic	64	Motor Frame	1	Stainless Steel 304
35	Oil Plug	1	Stainless Steel 304	68	Handle	1	Plastic W/GF
36	Lubricant		Liquid Paraffin (ISO VG32)	76	Capacitor	1	
50	Motor Bracket	1	Aluminium Die Casting	165	Rubber Foot	3	Nitrile Butadiene Rubber
51	Head Cover	1	Plastic W/GF				
52A	Bearing	1	6201ZZC3				
52B	Bearing	1	6302ZZC3				