

NO. A-19576-1

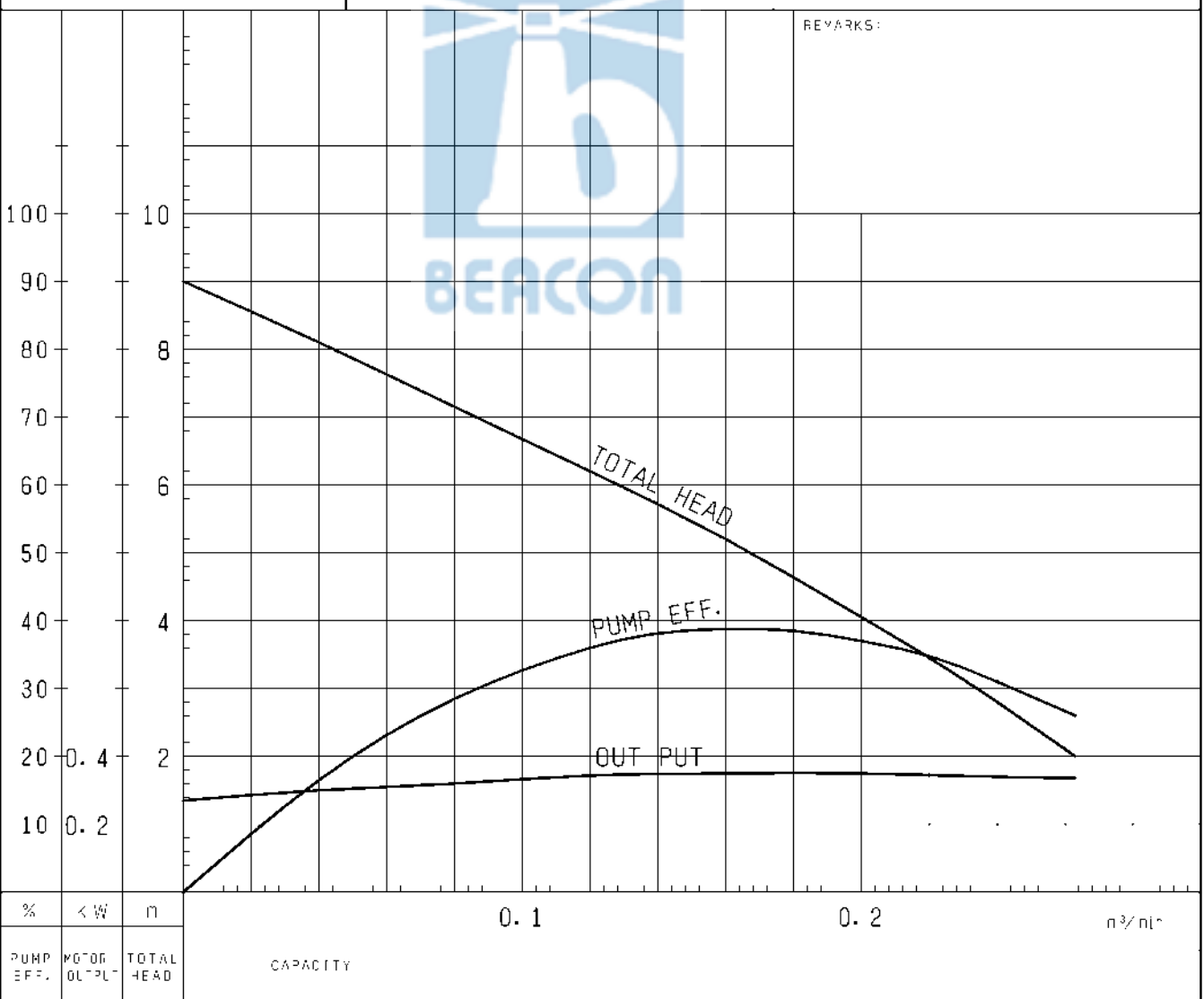
# PUMP PERFORMANCE CURVES

TYPE Sewage Submersible Channel Impeller Pump	MODEL 50B2.4 -52 TOS50B2.4 -52	FREQUENCY 50 Hz
--	-----------------------------------	-----------------

CUSTOMER'S NAME \_\_\_\_\_

EQUIPMENT TITLE \_\_\_\_\_ NO. \_\_\_\_\_

	STANDARD SPECIFICATIONS	REQUIRED SPECIFICATIONS
DISCHARGE BORE	50 mm	mm
TOTAL HEAD	4 m	m
CAPACITY	0.2 m <sup>3</sup> /min	m <sup>3</sup> /min
MOTOR OUTPUT	0.4 kW	kW
PHASE x VOLTAGE	3 φ x V	φ x V
CURRENT	A	A
POLES / REVOLUTION	2 P / S. S. 3000 min <sup>-1</sup>	P / min <sup>-1</sup>
STARTING METHOD	DIRECT ON LINE	
INSULATION CLASS	E	

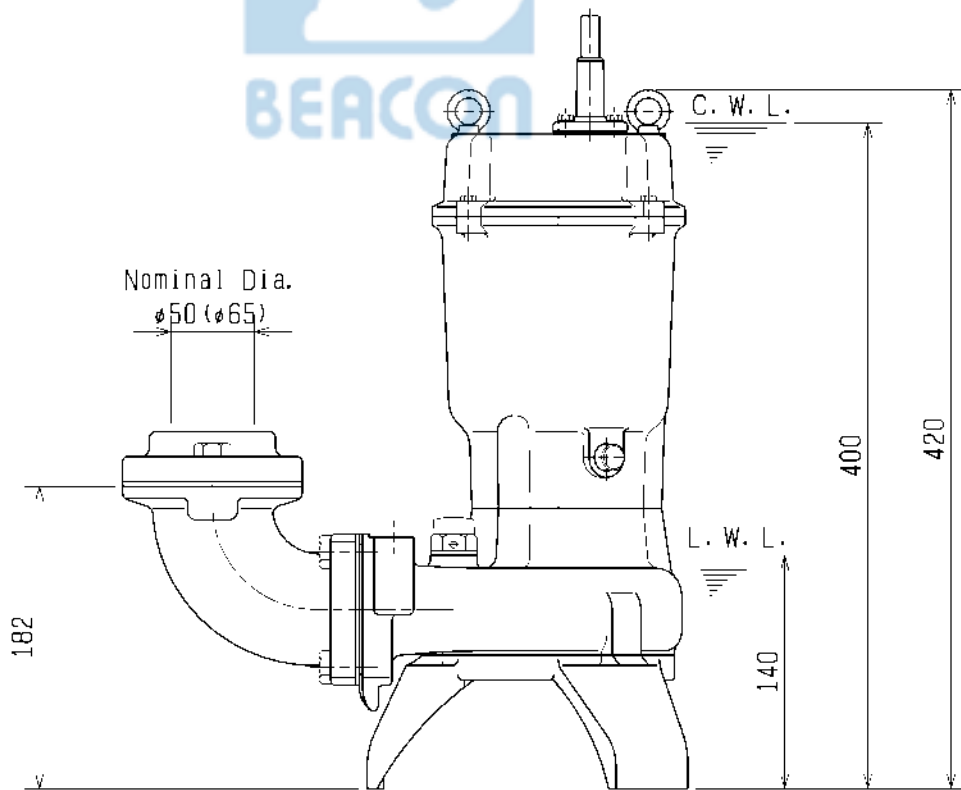
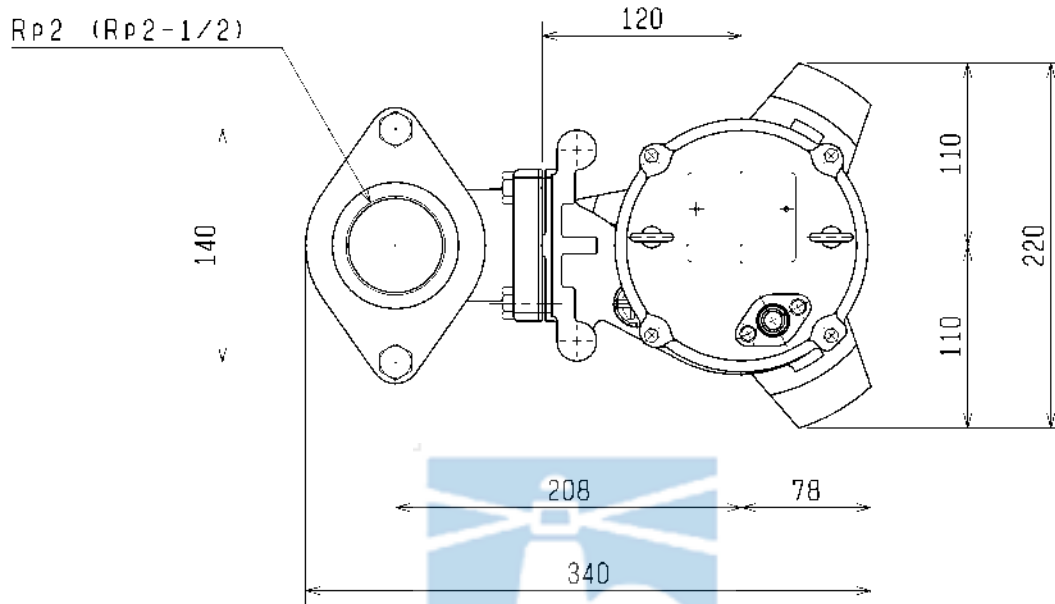


TSURUMI MFG. CO., LTD.

<b>DIMENSION DRAWING</b>		No.	No. A-19578-2
TYPE	Sewage Submersible Channel Impeller Pump	MODEL	50B2.4 -52/62

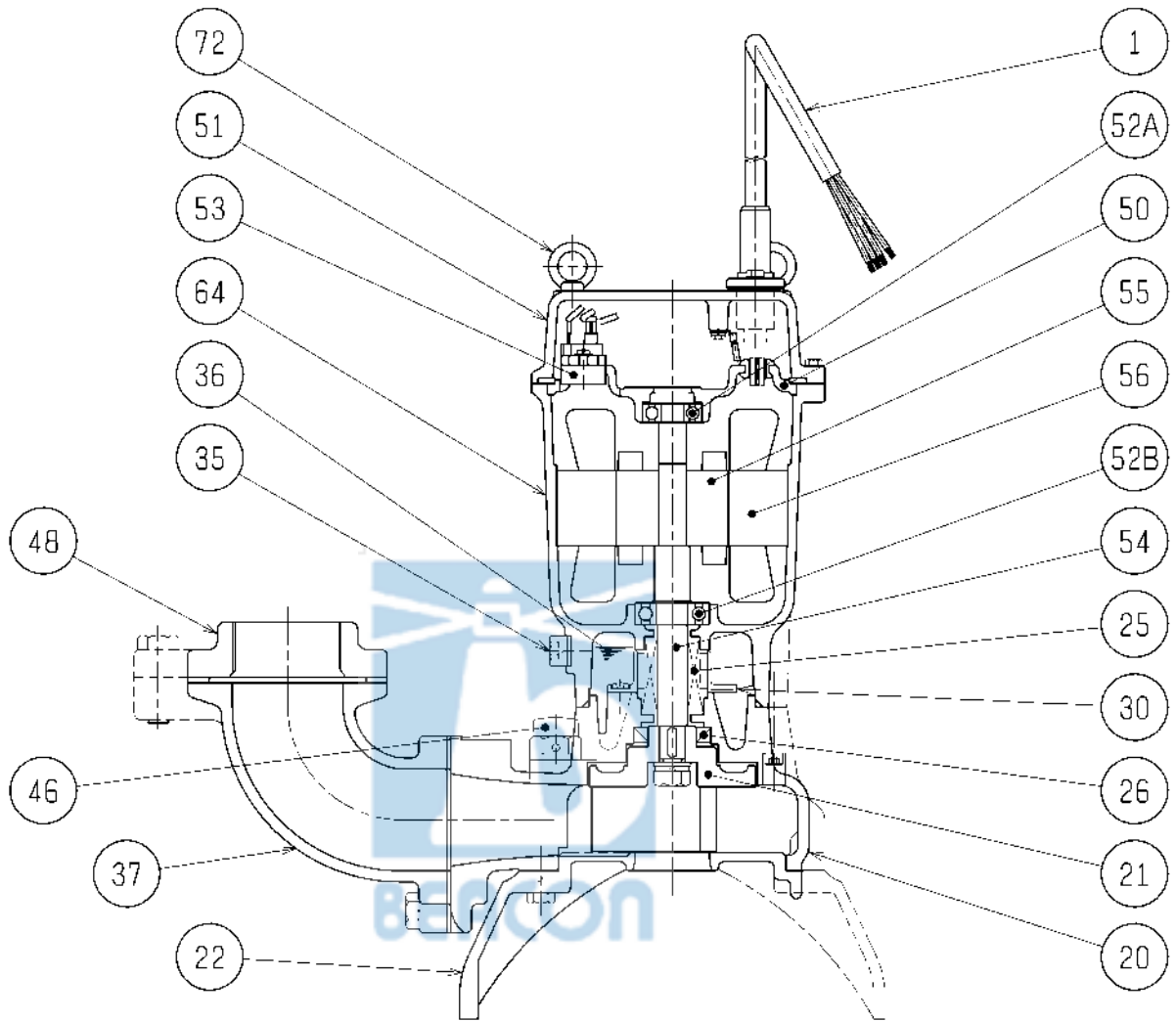
Approximate Weight(※)
23kg

※excluding cable



C.W.L.:Continuous running Water Level  
L.W.L.:Lowest running Water Level

<b>SECTIONAL DRAWING</b>		No.	No. A-19579-2
TYPE	Sewage Submersible Channel Impeller Pump	MODEL	50B2.4 -52/62



REQ. SPECIFICATION		

No.	DESCRIPTION	QTY	MATERIAL / NOTE	No.	DESCRIPTION	QTY	MATERIAL / NOTE
1	Cable	1	PVC Sheath	50	Motor Bracket	1	Gray Iron Casting
20	Pump Casing	1	Gray Iron Casting	51	Head Cover	1	Gray Iron Casting
21	Impeller	1	Gray Iron Casting	52A	Upper Bearing	1	6201ZZC3
22	Suction Cover Stand	1	Ductile Iron Casting	52B	Lower Bearing	1	6203ZZC3
25	Mechanical Seal	1	H-16	53	Motor Protector	1	
26	Oil Seal	1	TC26428	54	Shaft	1	Stainless Steel 420J2
30	Oil Lifter	1	Plastic	55	Rotor	1	
35	Oil Plug	1	Stainless Steel 304	56	Stator	1	
36	Lubricant		Turbine Oil (ISO VG32)	64	Motor Frame	1	Gray Iron Casting
37	Discharge Bend	1	Gray Iron Casting	72	Eye Bolt	2	Stainless Steel 304
46	Air Release Valve	1	Nylon				
48	Screwed Flange	1	Gray Iron Casting				

NO. A-19582-1

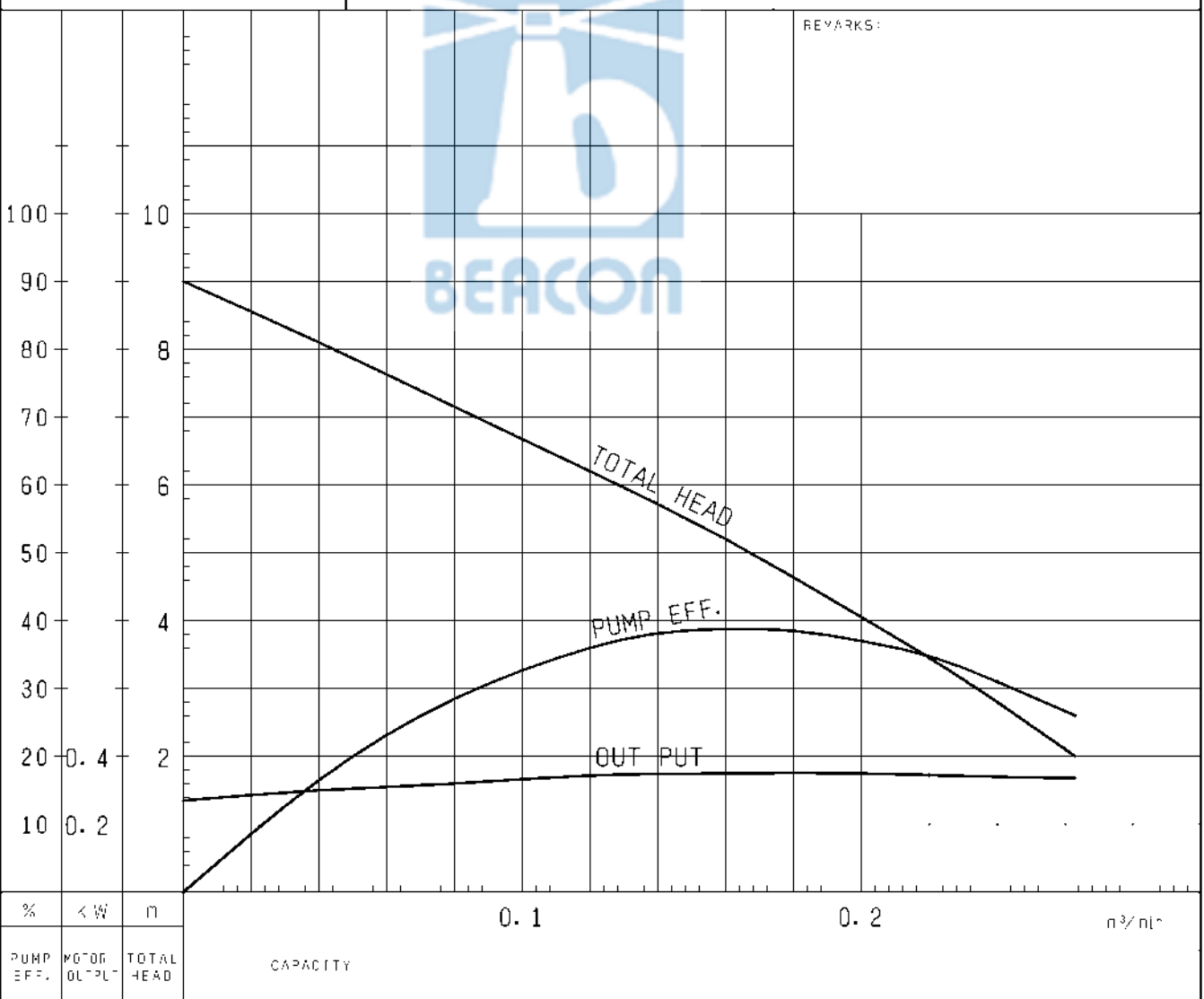
# PUMP PERFORMANCE CURVES

TYPE Sewage Submersible Channel Impeller Pump	MODEL 50B2.4S -52 TOS50B2.4S -52	FREQUENCY 50 Hz
--	-------------------------------------	-----------------

CUSTOMER'S NAME \_\_\_\_\_

EQUIPMENT TITLE \_\_\_\_\_ NO. \_\_\_\_\_

	STANDARD SPECIFICATIONS	REQUIRED SPECIFICATIONS
DISCHARGE BORE	50 mm	mm
TOTAL HEAD	4 m	m
CAPACITY	0.2 m <sup>3</sup> /min	m <sup>3</sup> /min
MOTOR OUTPUT	0.4 kW	kW
PHASE x VOLTAGE	1 φ x V	φ x V
CURRENT	A	A
POLES / REVOLUTION	2 P / s. s. 3000 min <sup>-1</sup>	P / min <sup>-1</sup>
STARTING METHOD	CAPACITOR START	
INSULATION CLASS	E	

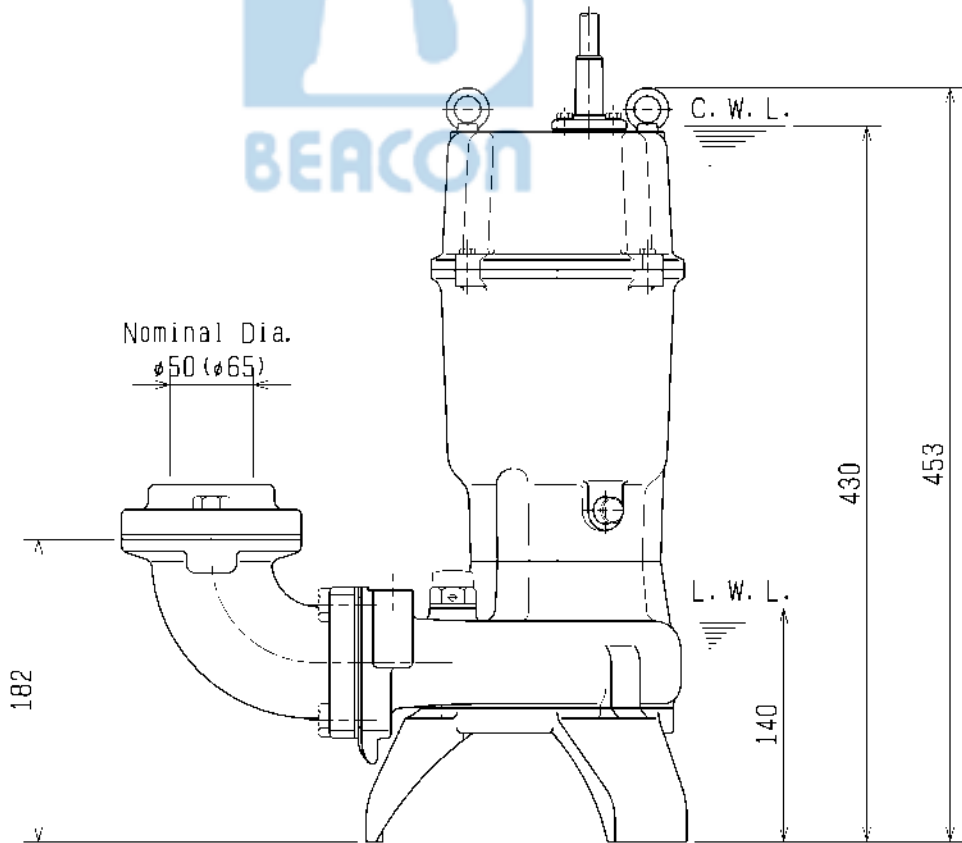
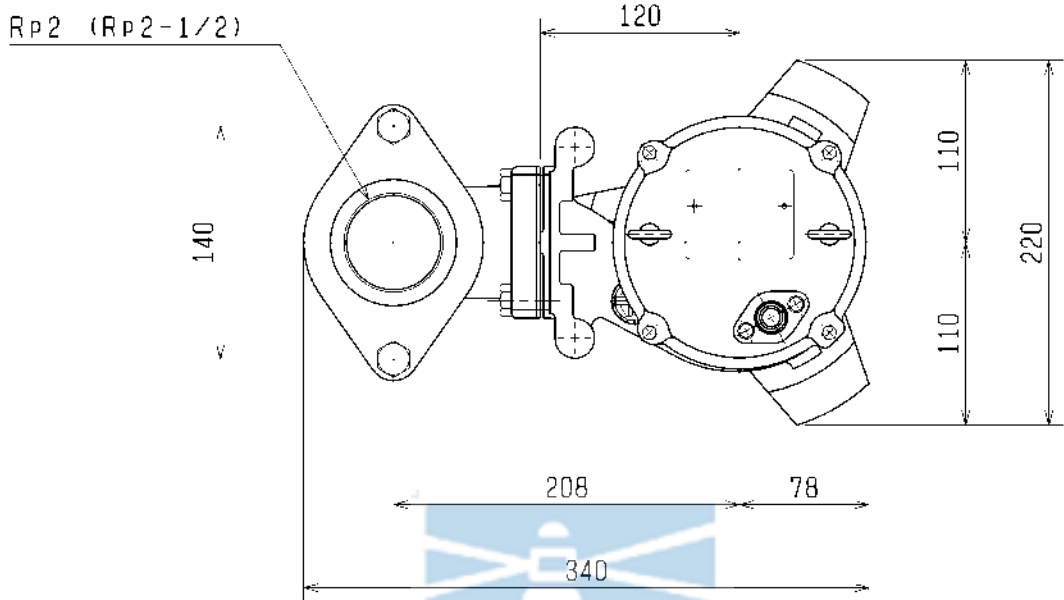


TSURUMI MFG. CO., LTD.

DIMENSION DRAWING		No.	No. A-19584-2
TYPE	Sewage Submersible Channel Impeller Pump	MODEL	50B2.4S -52/62

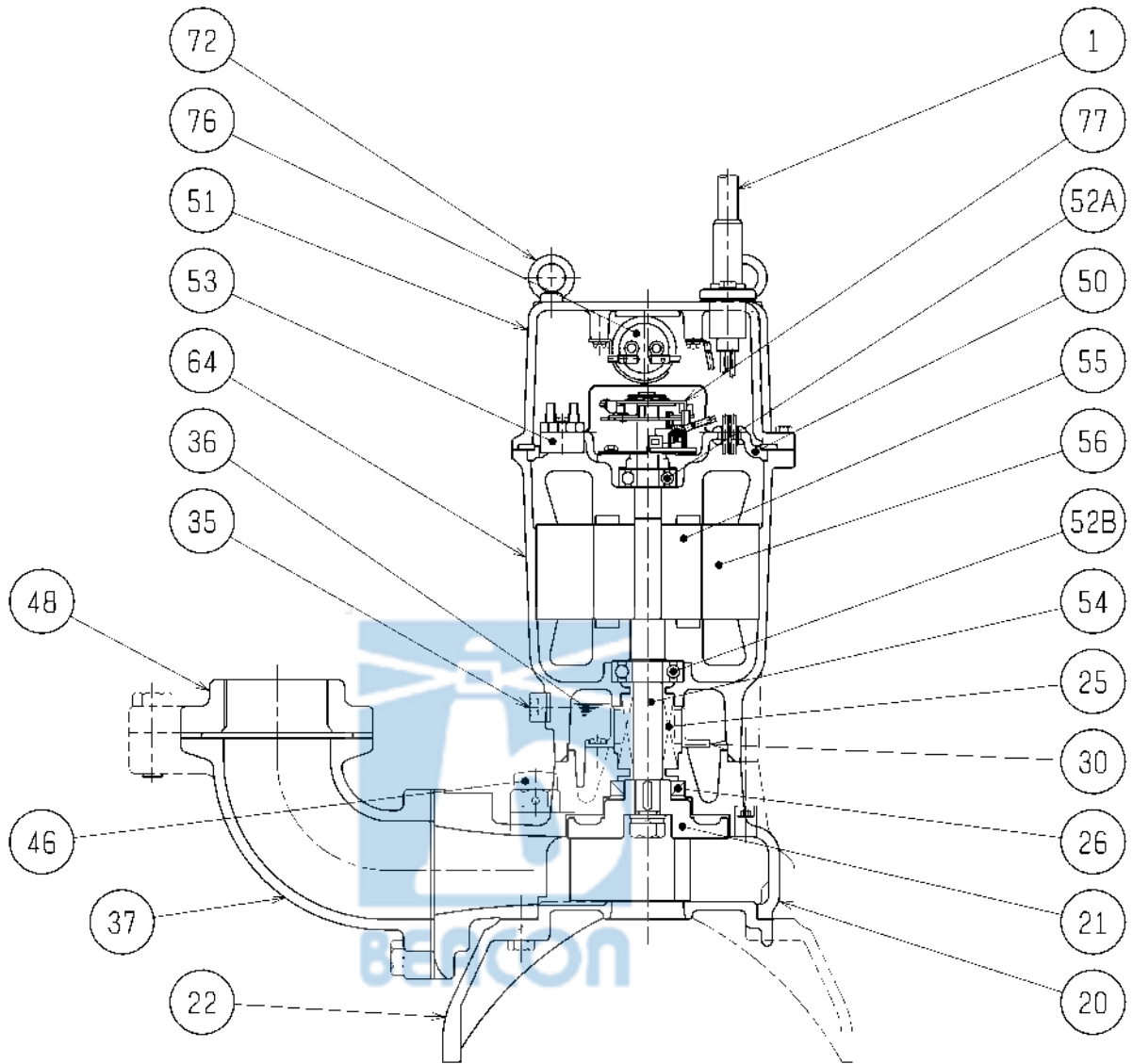
Approximate Weight(*)
25kg

\*excluding cable



C.W.L.:Continuous running Water Level  
L.W.L.:Lowest running Water Level

<b>SECTIONAL DRAWING</b>		No.	No. A-19585-2
TYPE	Sewage Submersible Channel Impeller Pump	MODEL	50B2.4S -52/62



REQ. SPECIFICATION

No.	DESCRIPTION	QTY	MATERIAL / NOTE	No.	DESCRIPTION	QTY	MATERIAL / NOTE
1	Cable	1	PVC Sheath	51	Head Cover	1	Gray Iron Casting
20	Pump Casing	1	Gray Iron Casting	52A	Upper Bearing	1	6201ZZC3
21	Impeller	1	Gray Iron Casting	52B	Lower Bearing	1	6203ZZC3
22	Suction Cover Stand	1	Ductile Iron Casting	53	Motor Protector	1	
25	Mechanical Seal	1	H-16	54	Shaft	1	Stainless Steel 420J2
26	Oil Seal	1	TC26428	55	Rotor	1	
30	Oil Lifter	1	Plastic	56	Stator	1	
35	Oil Plug	1	Stainless Steel 304	64	Motor Frame	1	Gray Iron Casting
36	Lubricant		Turbine Oil (ISO VG32)	72	Eye Bolt	2	Stainless Steel 304
37	Discharge Bend	1	Gray Iron Casting	76	Capacitor	1	
46	Air Release Valve	1	Nylon	77	Centrifugal Switch	1	
48	Screwed Flange	1	Gray Iron Casting				
50	Motor Bracket	1	Gray Iron Casting				

NO. A-20015-1

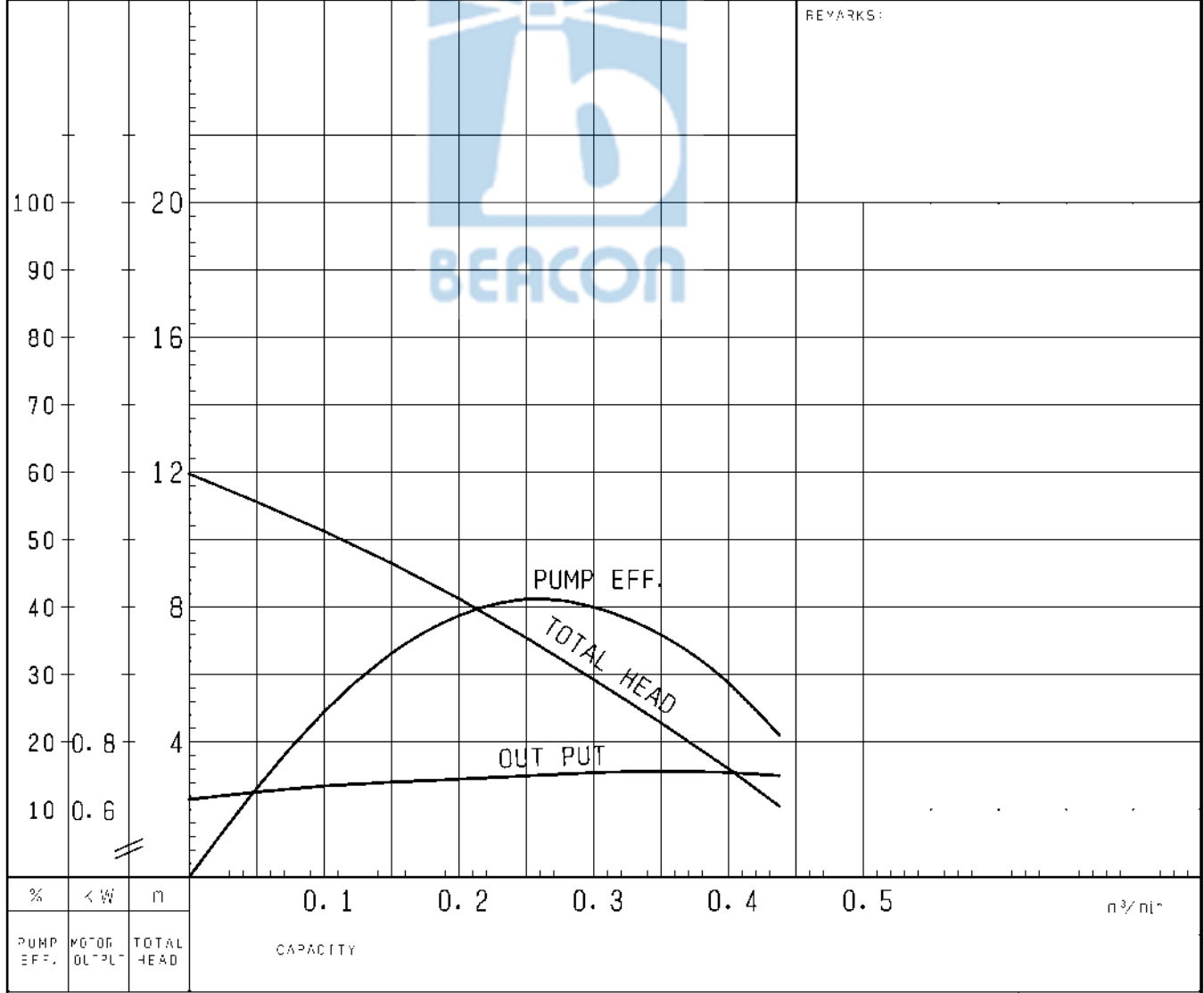
# PUMP PERFORMANCE CURVES

TYPE Submersible Channel Impeller Sewage Pump	MODEL 50B (A/W) 2.75 -53 TOS50B (A/W) 2.75 -53	FREQUENCY 50 Hz
--	---	-----------------

CUSTOMER'S NAME \_\_\_\_\_

EQUIPMENT TITLE \_\_\_\_\_ NO. \_\_\_\_\_

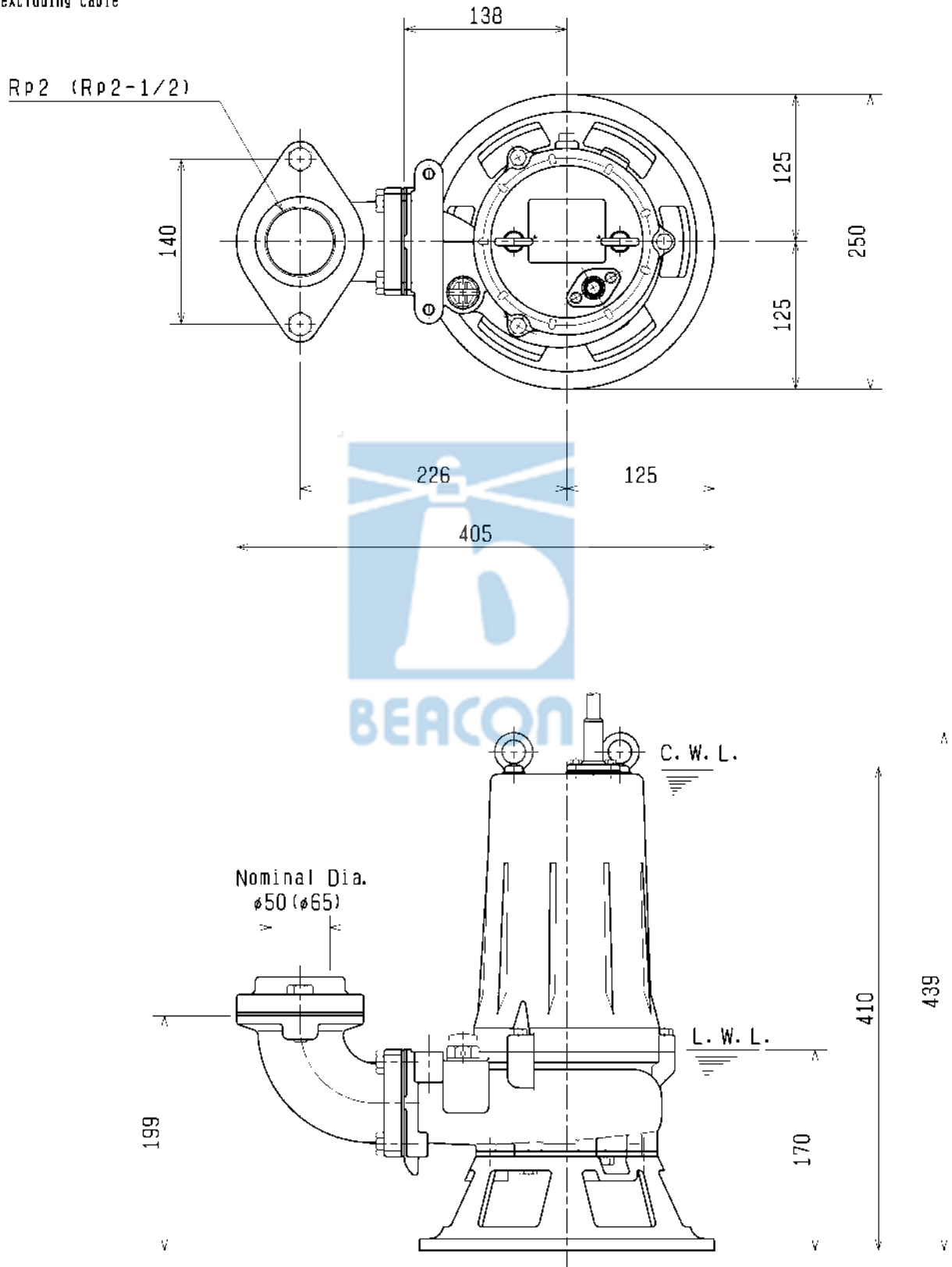
DISCHARGE BORE	STANDARD SPECIFICATIONS	REQUIRED SPECIFICATIONS
TOTAL HEAD	50 m	m
CAPACITY	0.21 m <sup>3</sup> /min	m <sup>3</sup> /min
MOTOR OUTPUT	0.75 kW	kW
PHASE x VOLTAGE	3 $\phi$ x V	$\phi$ x V
CURRENT	A	A
POLES / REVOLUTION	2 P / s. s. 3000 min <sup>-1</sup>	P / min <sup>-1</sup>
STARTING METHOD	DIRECT ON LINE	
INSULATION CLASS	E	



TSURUMI MFG. CO., LTD.

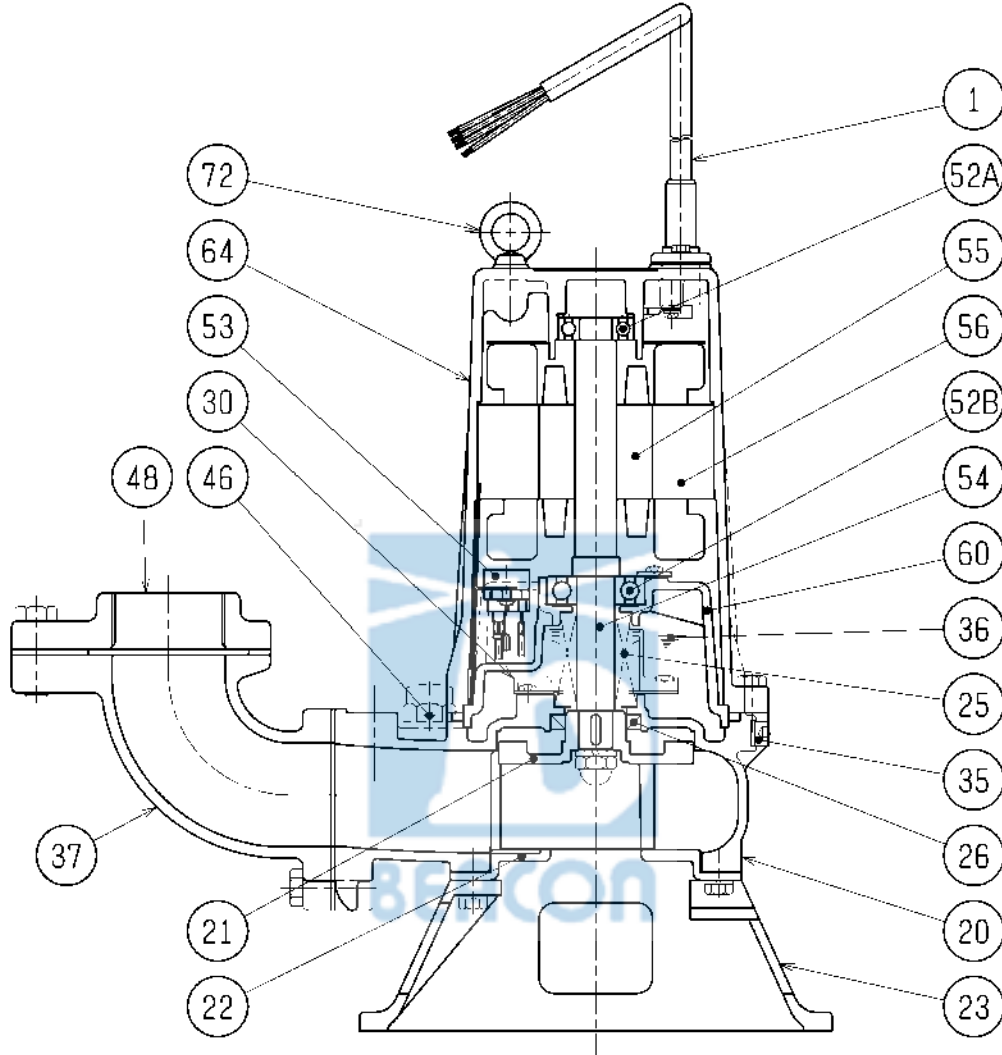
<b>DIMENSION DRAWING</b>		No.	No. A-20035-1
TYPE	Submersible Channel Impeller Sewage Pump	MODEL	50B2.75 -53/63

Approximate Weight (kg)  
25kg  
\*excluding cable



C. W. L. :Continuous running Water Level  
L. W. L. :Lowest running Water Level

<b>SECTIONAL DRAWING</b>		No.	No. A-20059-1
TYPE	Submersible Channel Impeller Sewage Pump	MODEL	50B2.75 -53/63



REQ. SPECIFICATION

No.	DESCRIPTION	QTY	MATERIAL / NOTE	No.	DESCRIPTION	QTY	MATERIAL / NOTE
1	Cable	1	PVC Sheath	48	Screwed Flange	1	Gray Iron Casting
20	Pump Casing	1	Gray Iron Casting	52A	Upper Bearing	1	6203ZZC3
21	Impeller	1	Gray Iron Casting	52B	Lower Bearing	1	6304ZZC3
22	Suction Cover	1	Gray Iron Casting	53	Motor Protector	1	
23	Strainer Stand	1	Gray Iron Casting	54	Shaft	1	Stainless Steel 420J2
25	Mechanical Seal	1	H-20A	55	Rotor	1	
26	Oil Seal	1	TC32488	56	Stator	1	
30	Oil Lifter	1	Plastic	60	Bearing Housing	1	Gray Iron Casting
35	Oil Plug	1	Stainless Steel 304	64	Motor Frame	1	Gray Iron Casting
36	Lubricant		Turbine Oil (ISO VG32)	72	Eye Bolt	2	Stainless Steel 304
37	Discharge Bend	1	Gray Iron Casting				
46	Air Release Valve	1	Nylon				

NO. A-20017-1

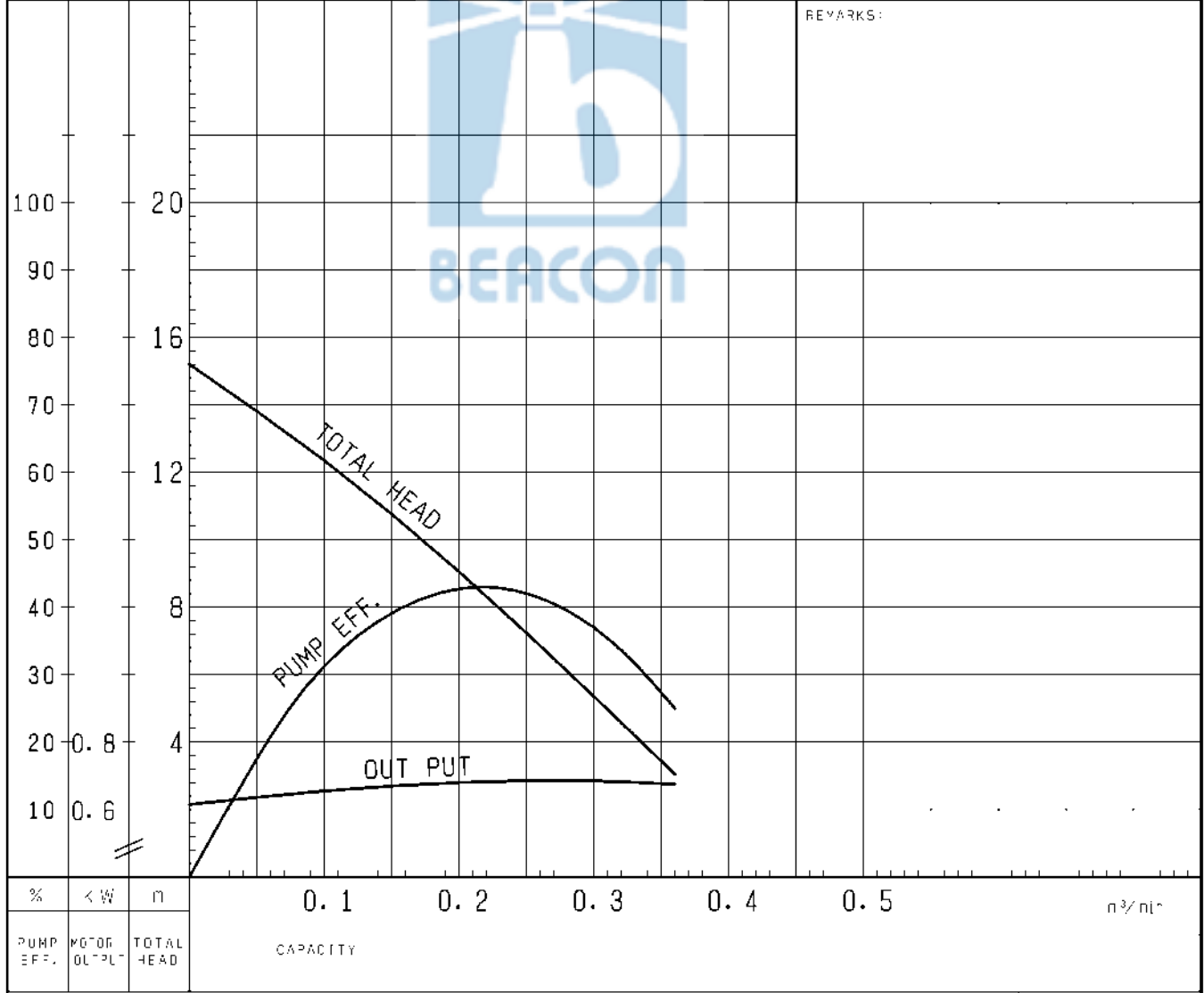
# PUMP PERFORMANCE CURVES

TYPE Submersible Channel Impeller Sewage Pump	MODEL 50B (A/W) 2.75H -53 TOS50B (A/W) 2.75H -53	FREQUENCY 50 Hz
--	---	--------------------

CUSTOMER'S NAME \_\_\_\_\_

EQUIPMENT TITLE \_\_\_\_\_ NO. \_\_\_\_\_

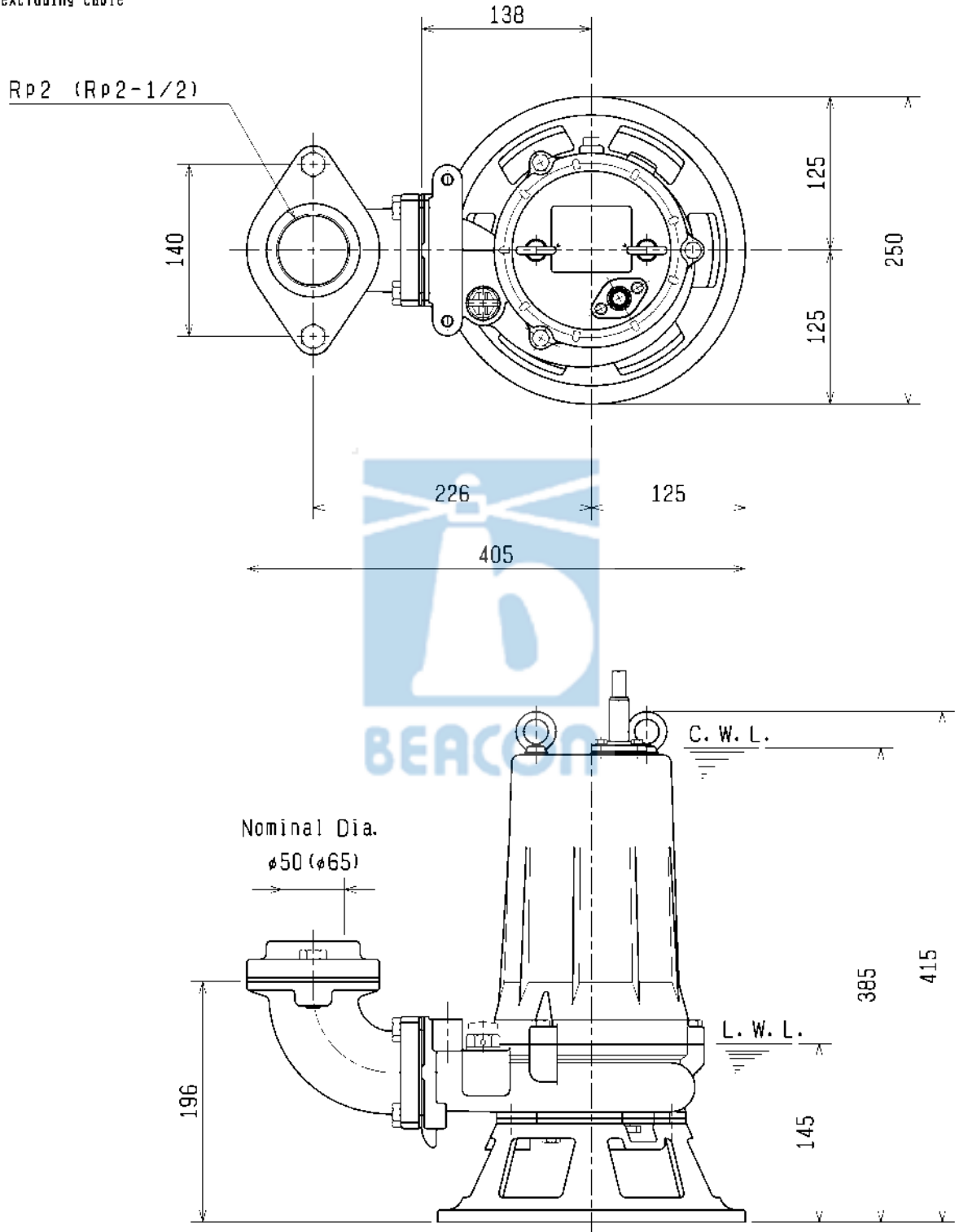
	STANDARD SPECIFICATIONS	REQUIRED SPECIFICATIONS
DISCHARGE BORE	50 mm	mm
TOTAL HEAD	10 m	m
CAPACITY	0.15 m <sup>3</sup> /min	m <sup>3</sup> /min
MOTOR OUTPUT	0.75 kW	kW
PHASE x VOLTAGE	3 $\phi$ x V	$\phi$ x V
CURRENT	A	A
POLES / REVOLUTION	2 P / s. s. 3000 min <sup>-1</sup>	P / min <sup>-1</sup>
STARTING METHOD	DIRECT ON LINE	
INSULATION CLASS	E	



TSURUMI MFG. CO., LTD.

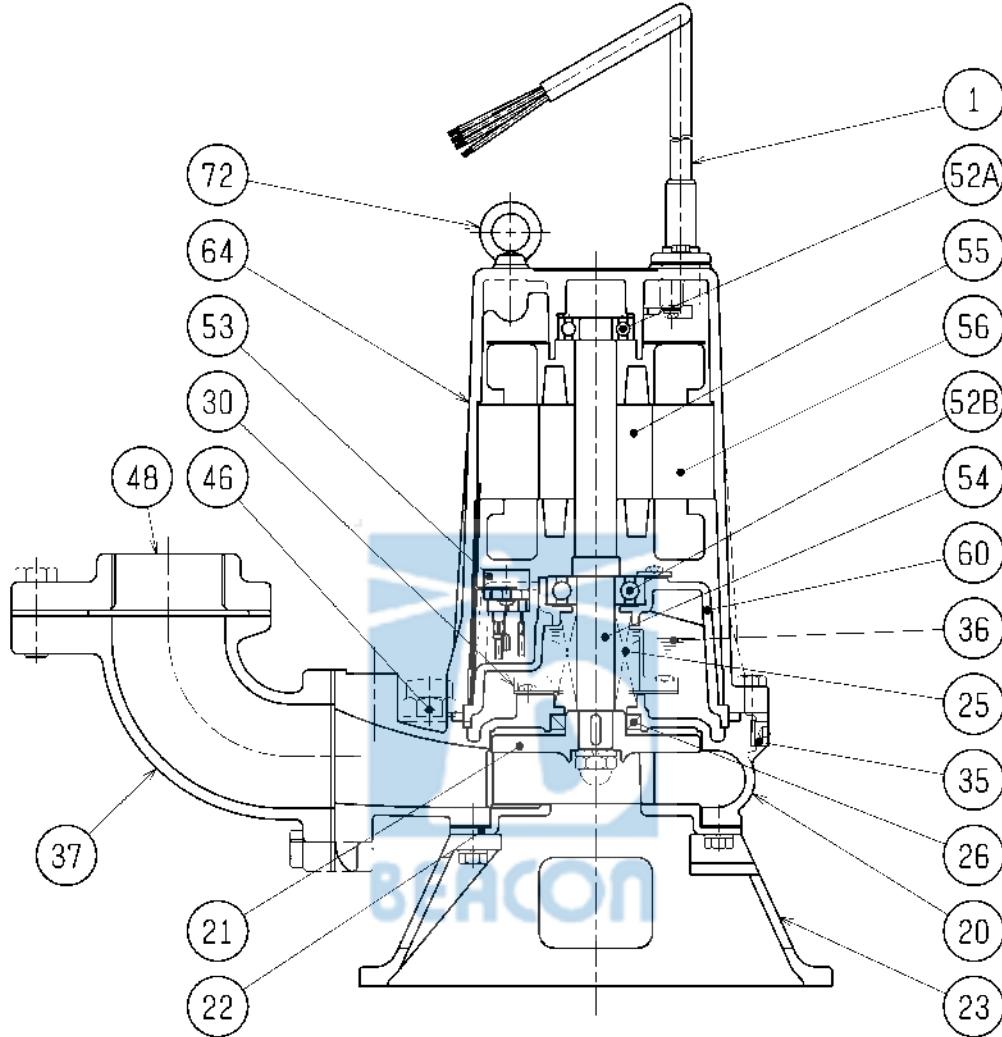
<b>DIMENSION DRAWING</b>		No.	No. A-20038-1
TYPE	Submersible Channel Impeller Sewage Pump	MODEL	50B2.75H -53/63

Approximate Weight (kg)  
24kg  
\*excluding cable



C.W.L. :Continuous running Water Level  
L.W.L. :Lowest running Water Level

<b>SECTIONAL DRAWING</b>		No.	No. A-20062-1
TYPE	Submersible Channel Impeller Sewage Pump	MODEL	50B2.75H -53/63



REQ. SPECIFICATION

No.	DESCRIPTION	QTY	MATERIAL / NOTE	No.	DESCRIPTION	QTY	MATERIAL / NOTE
1	Cable	1	PVC Sheath	48	Screwed Flange	1	Gray Iron Casting
20	Pump Casing	1	Gray Iron Casting	52A	Upper Bearing	1	6203ZZC3
21	Impeller	1	Gray Iron Casting	52B	Lower Bearing	1	6304ZZC3
22	Suction Cover	1	Gray Iron Casting	53	Motor Protector	1	
23	Strainer Stand	1	Gray Iron Casting	54	Shaft	1	Stainless Steel 420J2
25	Mechanical Seal	1	H-20A	55	Rotor	1	
26	Oil Seal	1	TC32488	56	Stator	1	
30	Oil Lifter	1	Plastic	60	Bearing Housing	1	Gray Iron Casting
35	Oil Plug	1	Stainless Steel 304	64	Motor Frame	1	Gray Iron Casting
36	Lubricant		Turbine Oil (ISO VG32)	72	Eye Bolt	2	Stainless Steel 304
37	Discharge Bend	1	Gray Iron Casting				
46	Air Release Valve	1	Nylon				

NO. A-20438-1

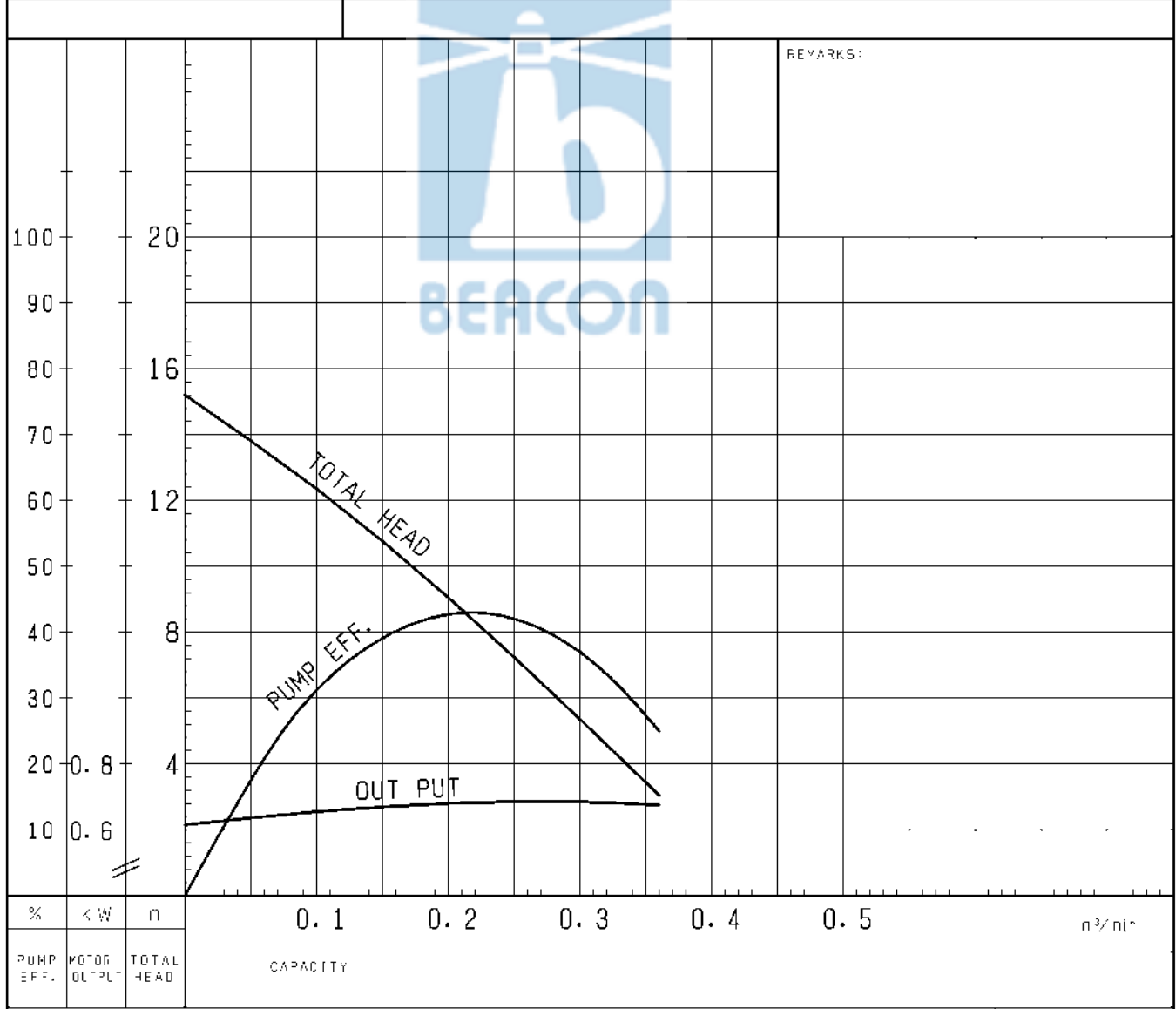
# PUMP PERFORMANCE CURVES

TYPE Sewage Submersible Channel Impeller Pump	MODEL 50B(A)2.75S -52 TOS50B(A)2.75S -52	FREQUENCY 50 Hz
--	---	-----------------

CUSTOMER'S NAME \_\_\_\_\_

EQUIPMENT TITLE \_\_\_\_\_ NO. \_\_\_\_\_

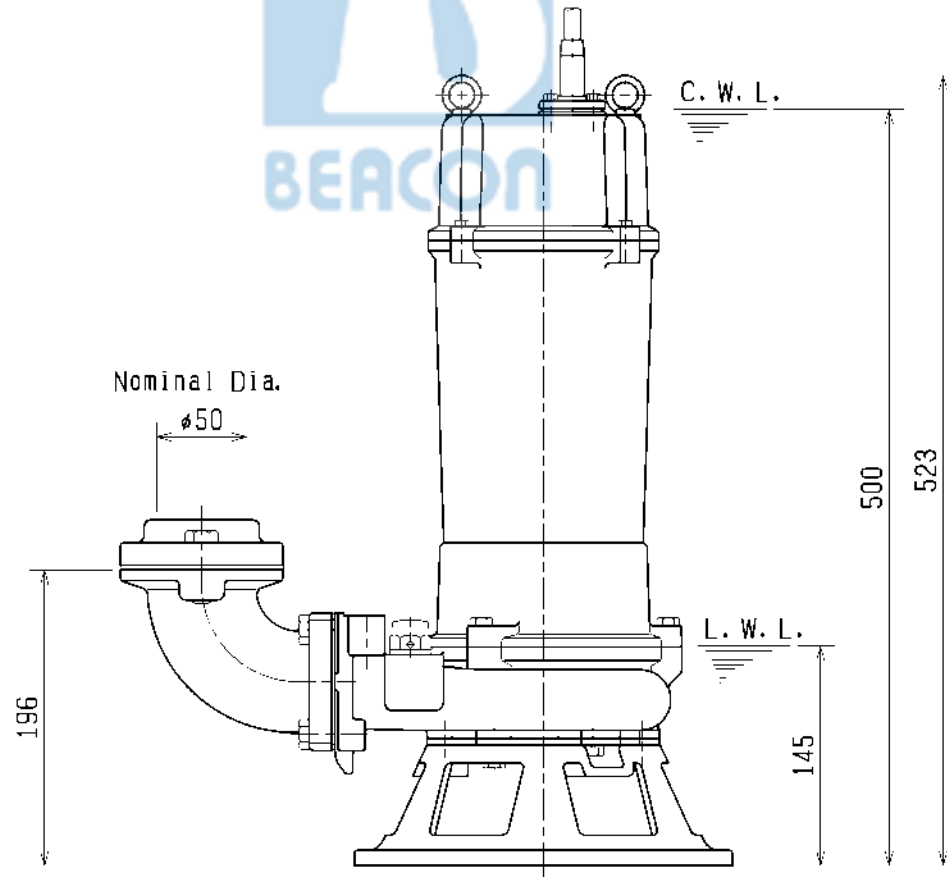
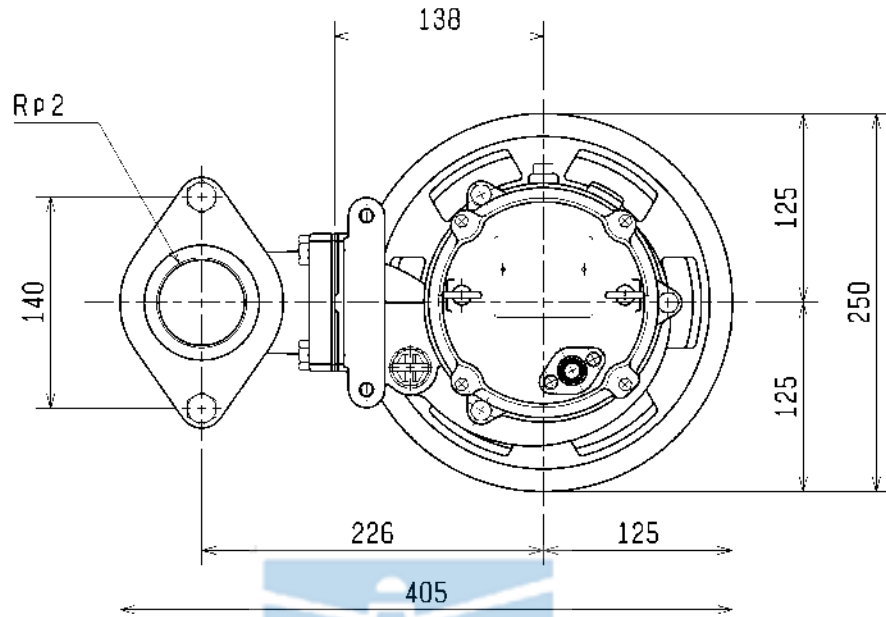
	STANDARD SPECIFICATIONS	REQUIRED SPECIFICATIONS
DISCHARGE BORE	50 mm	mm
TOTAL HEAD	10 m	m
CAPACITY	0.15 m <sup>3</sup> /min	m <sup>3</sup> /min
MOTOR OUTPUT	0.75 kW	kW
PHASE x VOLTAGE	1 φ x V	φ x V
CURRENT	A	A
POLES / REVOLUTION	2 P / S. S. 3000 min <sup>-1</sup>	P / min <sup>-1</sup>
STARTING METHOD	CAPACITOR START	
INSULATION CLASS	E	



TSURUMI MFG. CO., LTD.

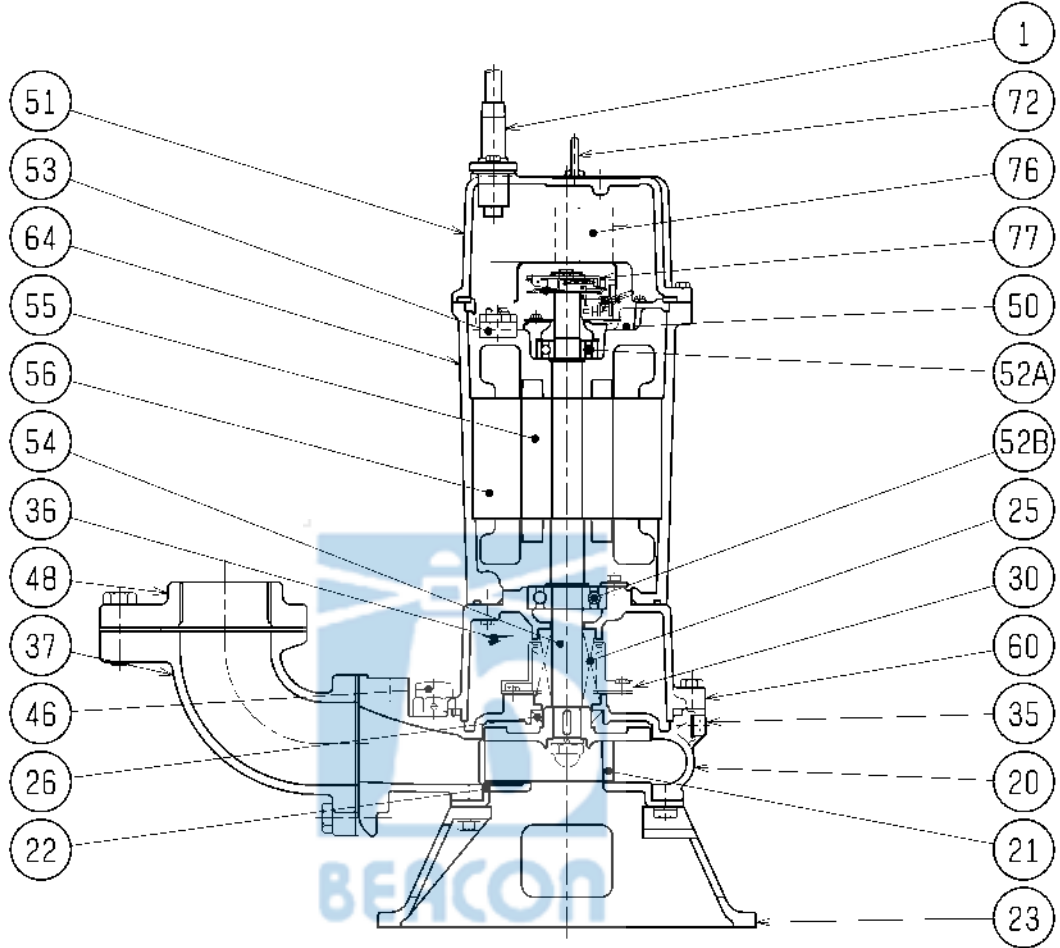
<b>DIMENSION DRAWING</b>		No.	No. A-20440-1
TYPE	Sewage Submersible Channel Impeller Pump	MODEL	50B2.75S -52/62

Approximate  
Weight (kg)  
32kg  
\*excluding cable



C.W.L. :Continuous running Water Level  
L.W.L. :Lowest running Water Level

<b>SECTIONAL DRAWING</b>		No.	No. A-20442-1
TYPE	Sewage Submersible Channel Impeller Pump	MODEL	50B2.75S -52/62



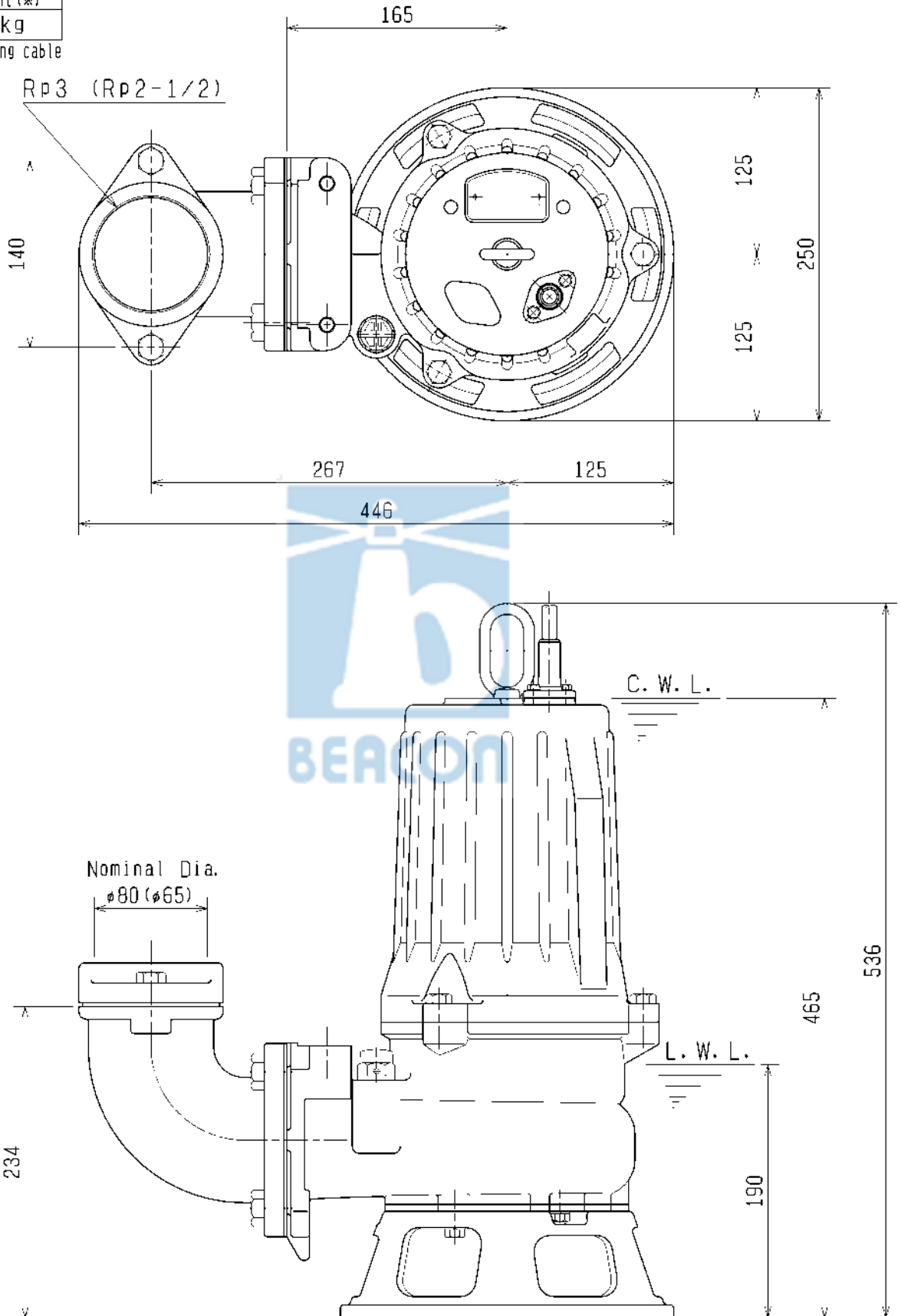
REQ. SPECIFICATION

No.	DESCRIPTION	QTY	MATERIAL / NOTE	No.	DESCRIPTION	QTY	MATERIAL / NOTE
1	Cable	1	PVC Sheath	51	Head Cover	1	Gray Iron Casting
20	Pump Casing	1	Gray Iron Casting	52A	Upper Bearing	1	6203ZC3
21	Impeller	1	Gray Iron Casting	52B	Lower Bearing	1	6304ZC3
22	Suction Cover	1	Gray Iron Casting	53	Motor Protector	1	
23	Strainer Stand	1	Gray Iron Casting	54	Shaft	1	Stainless Steel 420J2
25	Mechanical Seal	1	H-20A	55	Rotor	1	
26	Oil Seal	1	TC32488	56	Stator	1	
30	Oil Lifter	1	Plastic	60	Bearing Housing	1	Gray Iron Casting
35	Oil Plug	1	Stainless Steel 304	64	Motor Frame	1	Gray Iron Casting
36	Lubricant		Turbine Oil (ISO VG32)	72	Eye Bolt	2	Stainless Steel 304
37	Discharge Bend	1	Gray Iron Casting	76	Capacitor	1	
46	Air Release Valve	1	Nylon	77	Centrifugal Switch	1	
48	Screwed Flange	1	Gray Iron Casting				
50	Motor Bracket	1	Gray Iron Casting				



<b>DIMENSION DRAWING</b>		No.	No. A-11452-3
TYPE	Sewage Submersible Channel Impeller Pump	MODEL	80B21.5 -52/62

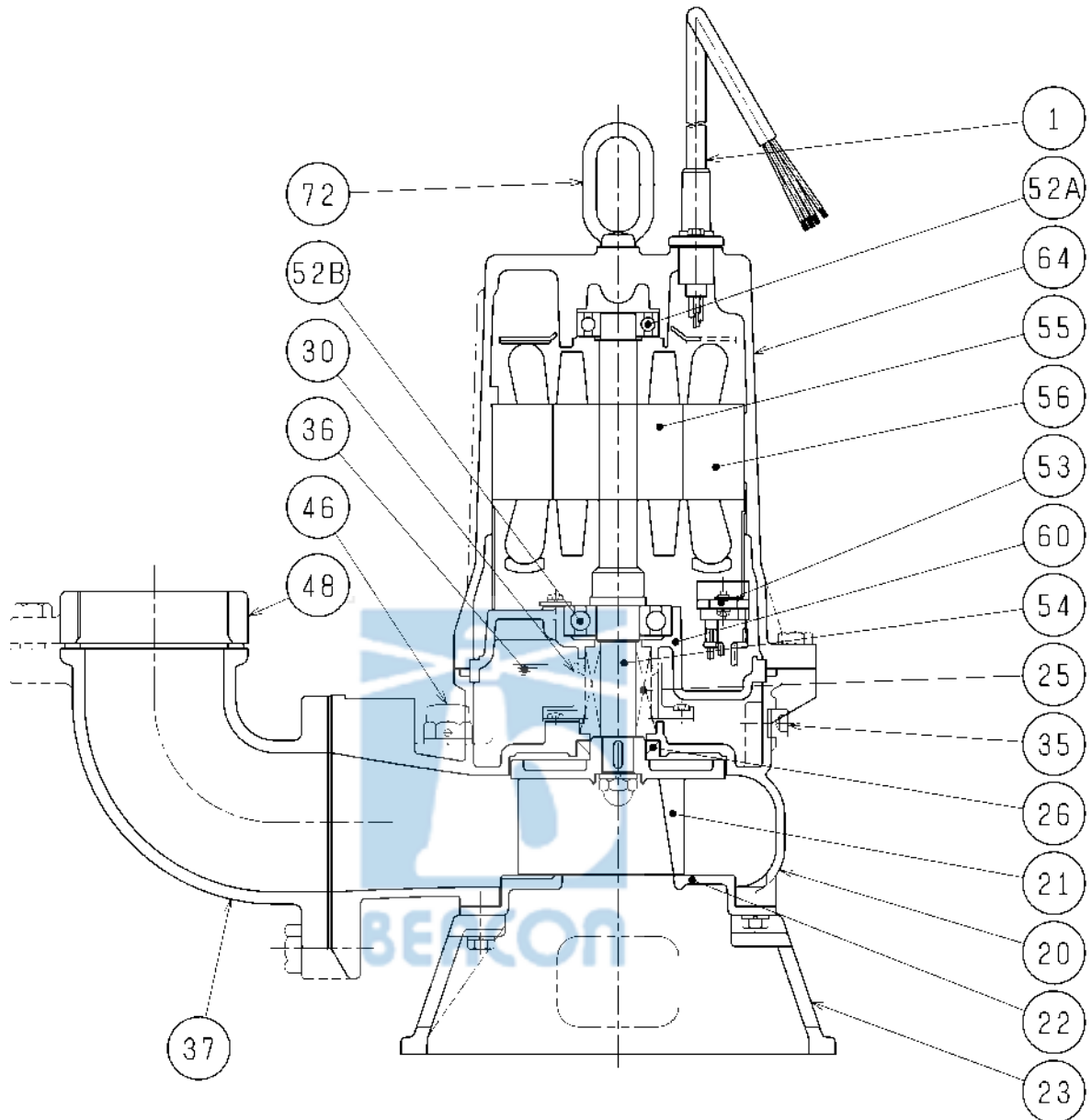
Approximate Weight(\*)  
36kg  
\*excluding cable



The Figure in ( ) shows the dimensions of discharge Bore at Nominal  $\phi 65$ .

C.W.L. :Continuous running Water Level  
L.W.L. :Lowest running Water Level

<b>SECTIONAL DRAWING</b>		No.	No. A-11455-5
TYPE	Sewage Submersible Channel Impeller Pump	MODEL	80B21.5 -52/62



REQ. SPECIFICATION	

※ the wetted part

No.	DESCRIPTION	QTY	MATERIAL / NOTE	No.	DESCRIPTION	QTY	MATERIAL / NOTE
1	Cable	1	PVC Sheath	48	Screwed Flange	1	Gray Iron Casting
20	Pump Casing	1	Gray Iron Casting	52A	Upper Bearing	1	6204ZC3
21	Impeller	1	Gray Iron Casting	52B	Lower Bearing	1	6305ZC3
22	Suction Cover	1	Gray Iron Casting	53	Motor Protector	1	
23	Strainer Stand	1	Gray Iron Casting	54	Shaft	1	Stainless Steel 420J2(※)
25	Mechanical Seal	1	H-20A	55	Rotor	1	
26	Oil Seal	1	TC32488	56	Stator	1	
30	Oil Lifter	1	Plastic	60	Bearing Housing	1	Gray Iron Casting
35	Oil Plug	1	Stainless Steel 304	64	Motor Frame	1	Gray Iron Casting
36	Lubricant		Turbine Oil (ISO VG32)	72	Eye Bolt	1	Stainless Steel 304
37	Discharge Bend	1	Gray Iron Casting				
46	Air Release Valve	1	Nylon				

NO. A-07514-2

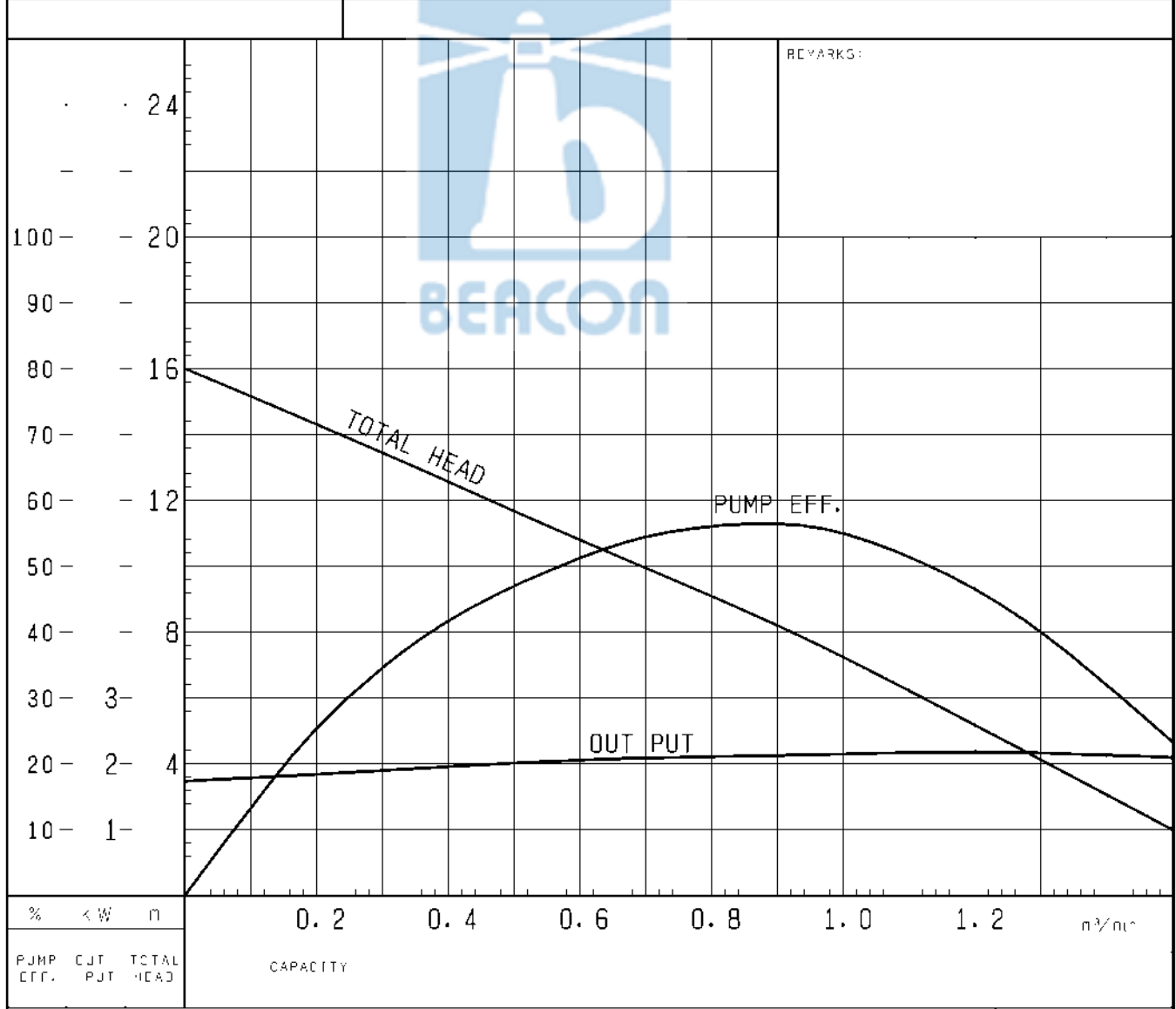
# PUMP PERFORMANCE CURVES

TYPE Submersible Channel Impeller Sewage Pump	MODEL 100B42.2 -52 TOS100B42.2 -52	FREQUENCY 50 Hz
---	--	--------------------

CUSTOMER'S NAME \_\_\_\_\_

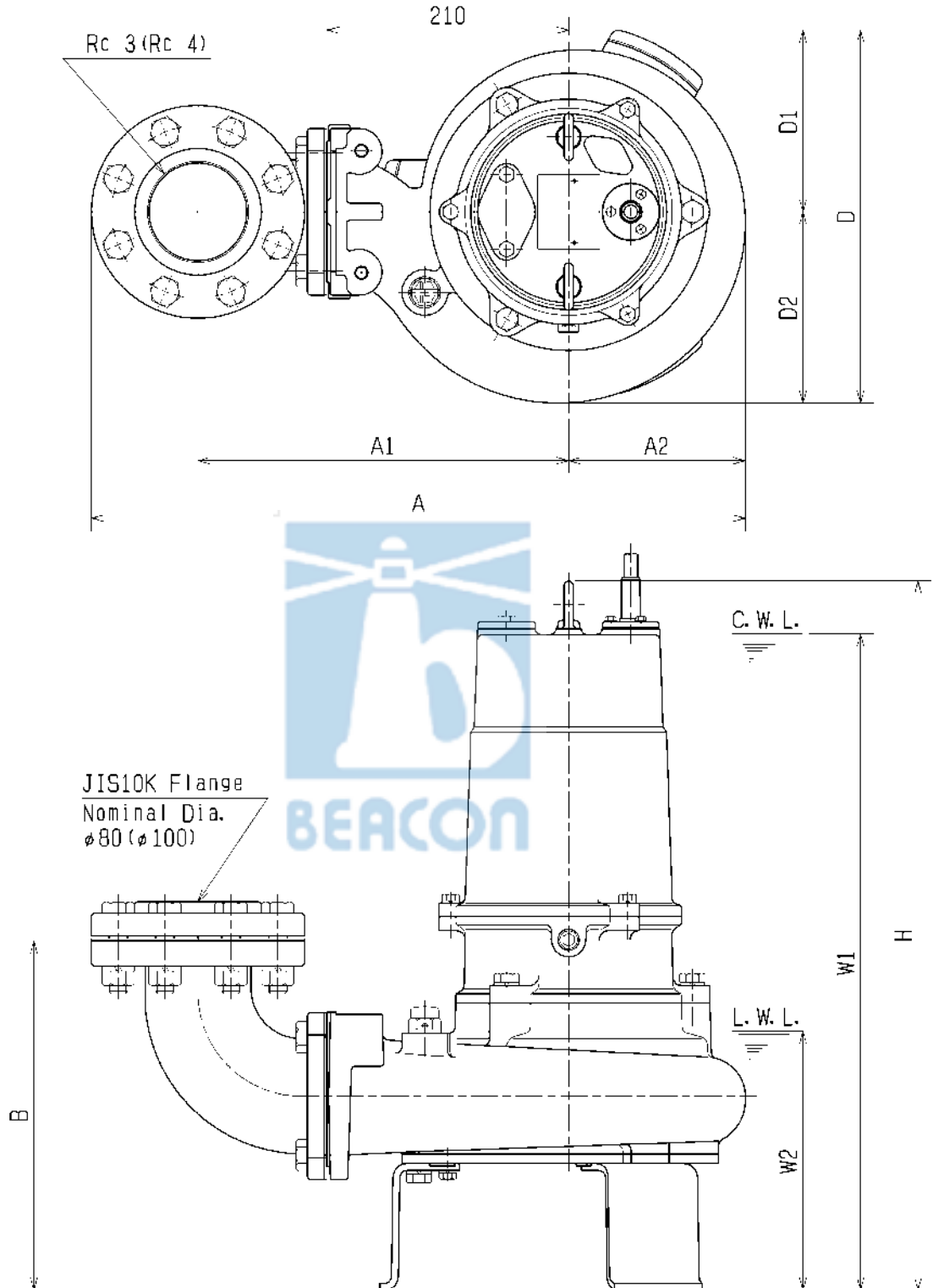
EQUIPMENT TITLE \_\_\_\_\_ NO. \_\_\_\_\_

	STANDARD SPECIFICATIONS	REQUIRED SPECIFICATIONS
DISCHARGE BORE	100 <small>mm</small>	<small>mm</small>
TOTAL HEAD	10 <small>m</small>	<small>m</small>
CAPACITY	0.6 <small>m<sup>3</sup>/min</small>	<small>m<sup>3</sup>/min</small>
MOTOR OUTPUT	2.2 <small>kW</small>	<small>kW</small>
PHASE x VOLTAGE	3 $\phi$ x	$\phi$ x
CURRENT	A	A
POLES / REVOLUTION	4 P / s. s. 1500 <small>min<sup>-1</sup></small>	P / <small>min<sup>-1</sup></small>
STARTING METHOD	DIRECT ON LINE	
INSULATION CLASS	E	



TSURUMI MFG. CO., LTD.

DIMENSION DRAWING			No.	No.	A-16067-3
TYPE	Sewage Submersible Channel Impeller Pump	MODEL	80/100B42.2 -52/62	80/100B43.7 -52/62	

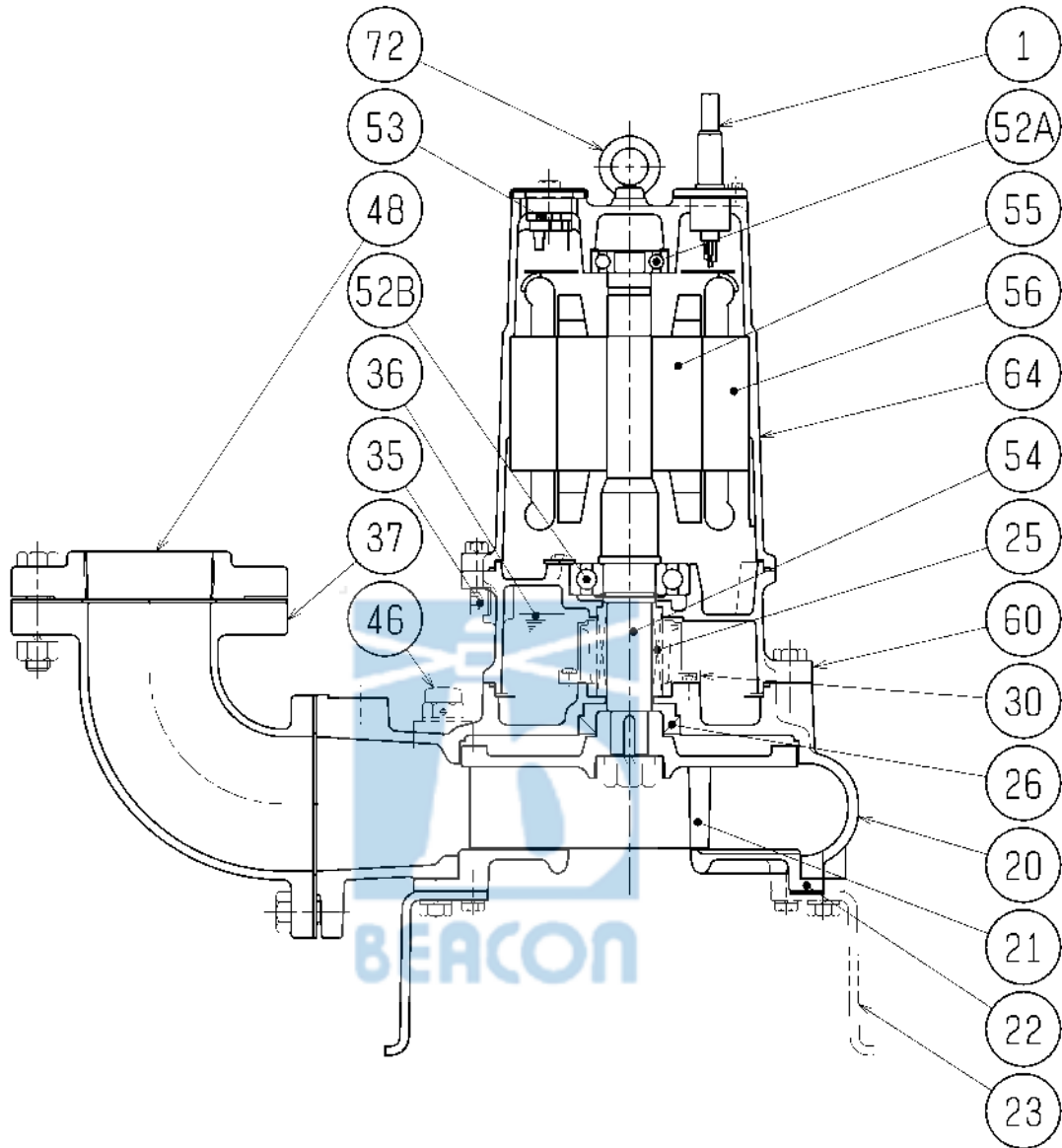


The Figure in ( ) shows the dimensions of discharge Bore at Nominal Dia. φ100.

C. W. L. :Continuous running Water Level  
L. W. L. :Lowest running Water Level  
\*excluding cable

MODEL	A	A1	A2	B	D	D1	D2	W1	W2	H	Approximate Weight (kg)
80/100B42.2-52/62	568 (596)	322 (337)	154	304 (329)	324	158	166	570	225	616	68kg
80/100B43.7-52/62	574 (601)	322 (337)	159	309 (334)	333	158	175	645	235	690	84kg

<b>SECTIONAL DRAWING</b>		No.	No.	A-19419-2
TYPE	Sewage Submersible Channel Impeller Pump	MODEL	80/100B42.2 -52/62 80/100B43.7 -52/62	



		2.2kW	3.7kW	REQ. SPECIFICATION			
※1	H-30A	H-35A					
※2	TC456812	TC507212					
※3	6307ZZC3	6309ZZC3	※4 the wetted part				
No.	DESCRIPTION	QTY	MATERIAL / NOTE	No.	DESCRIPTION	QTY	MATERIAL / NOTE
1	Cable	1	PVC Sheath	48	Screwed Flange	1	Gray Iron Casting
20	Pump Casing	1	Gray Iron Casting	52A	Upper Bearing	1	6304ZZC3
21	Impeller	1	Gray Iron Casting	52B	Lower Bearing	1	※3
22	Suction Cover	1	Gray Iron Casting	53	Motor Protector	1	
23	Stand	3	Steel Plate	54	Shaft	1	Stainless Steel 420J2(※4)
25	Mechanical Seal	1	※1	55	Rotor	1	
26	Oil Seal	1	※2	56	Stator	1	
30	Oil Lifter	1	Plastic	60	Bearing Housing	1	Gray Iron Casting
35	Oil Plug	1	Stainless Steel 304	64	Motor Frame	1	Gray Iron Casting
36	Lubricant		Turbine Oil (ISO VG32)	72	Eye Bolt	2	Stainless Steel 304
37	Discharge Bend	1	Gray Iron Casting				
46	Air Release Valve	1	Nylon				

NO. A-07518-2

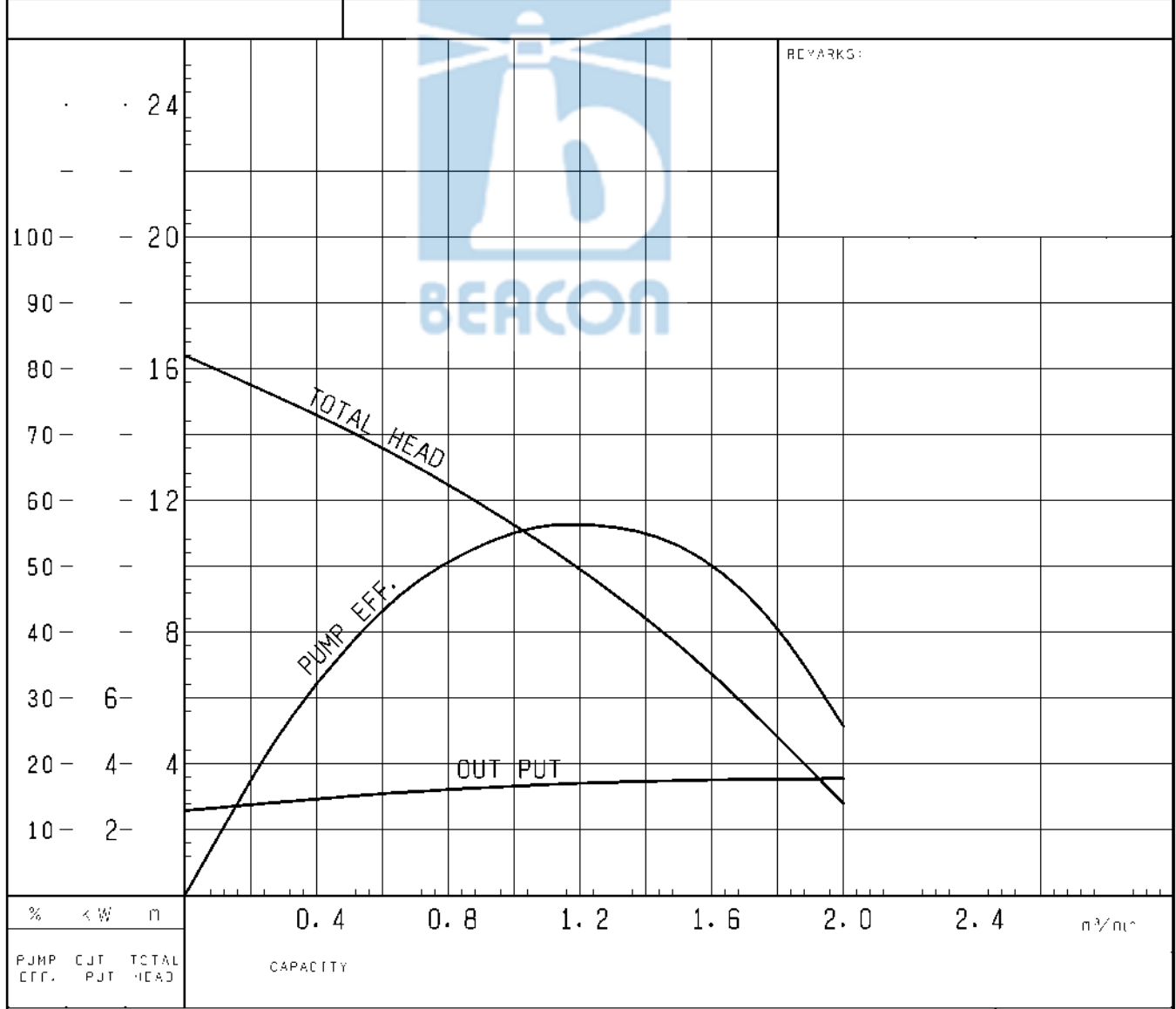
# PUMP PERFORMANCE CURVES

TYPE Submersible Channel Impeller Sewage Pump	MODEL 100B43.7 -52 TOS100B43.7 -52	FREQUENCY 50 Hz
---	--	--------------------

CUSTOMER'S NAME \_\_\_\_\_

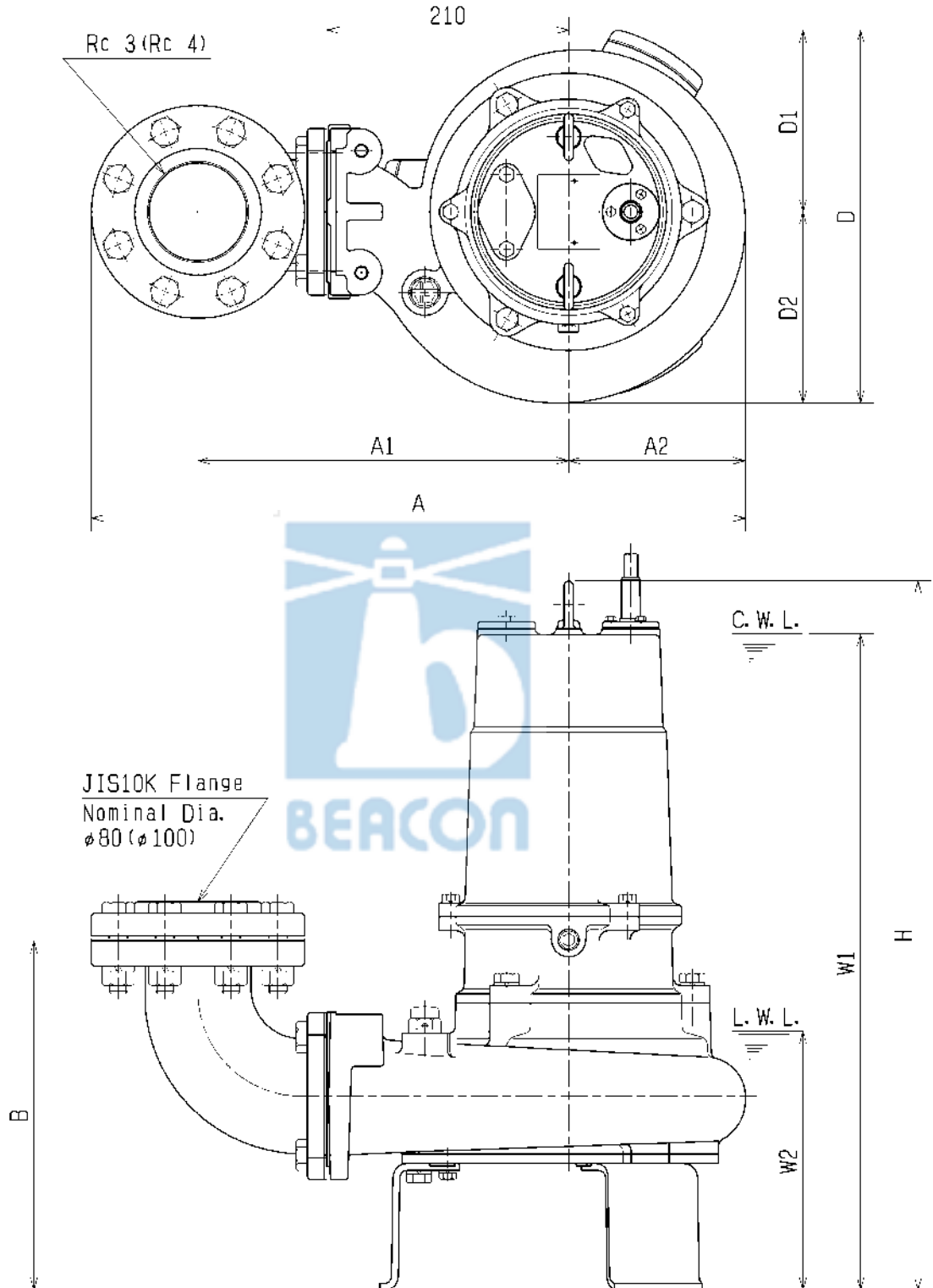
EQUIPMENT TITLE \_\_\_\_\_ NO. \_\_\_\_\_

	STANDARD SPECIFICATIONS	REQUIRED SPECIFICATIONS
DISCHARGE BORE	100 <small>mm</small>	<small>mm</small>
TOTAL HEAD	11 <small>m</small>	<small>m</small>
CAPACITY	1.0 <small>m<sup>3</sup>/min</small>	<small>m<sup>3</sup>/min</small>
MOTOR OUTPUT	3.7 <small>kW</small>	<small>kW</small>
PHASE x VOLTAGE	3 $\phi$ x <small>V</small>	$\phi$ x <small>V</small>
CURRENT	<small>A</small>	<small>A</small>
POLES / REVOLUTION	4 P / s. s. 1500 <small>min<sup>-1</sup></small>	P / <small>min<sup>-1</sup></small>
STARTING METHOD	DIRECT ON LINE	
INSULATION CLASS	E	



TSURUMI MFG. CO., LTD.

DIMENSION DRAWING			No.	No.	A-16067-3
TYPE	Sewage Submersible Channel Impeller Pump	MODEL	80/100B42.2 -52/62		
			80/100B43.7 -52/62		

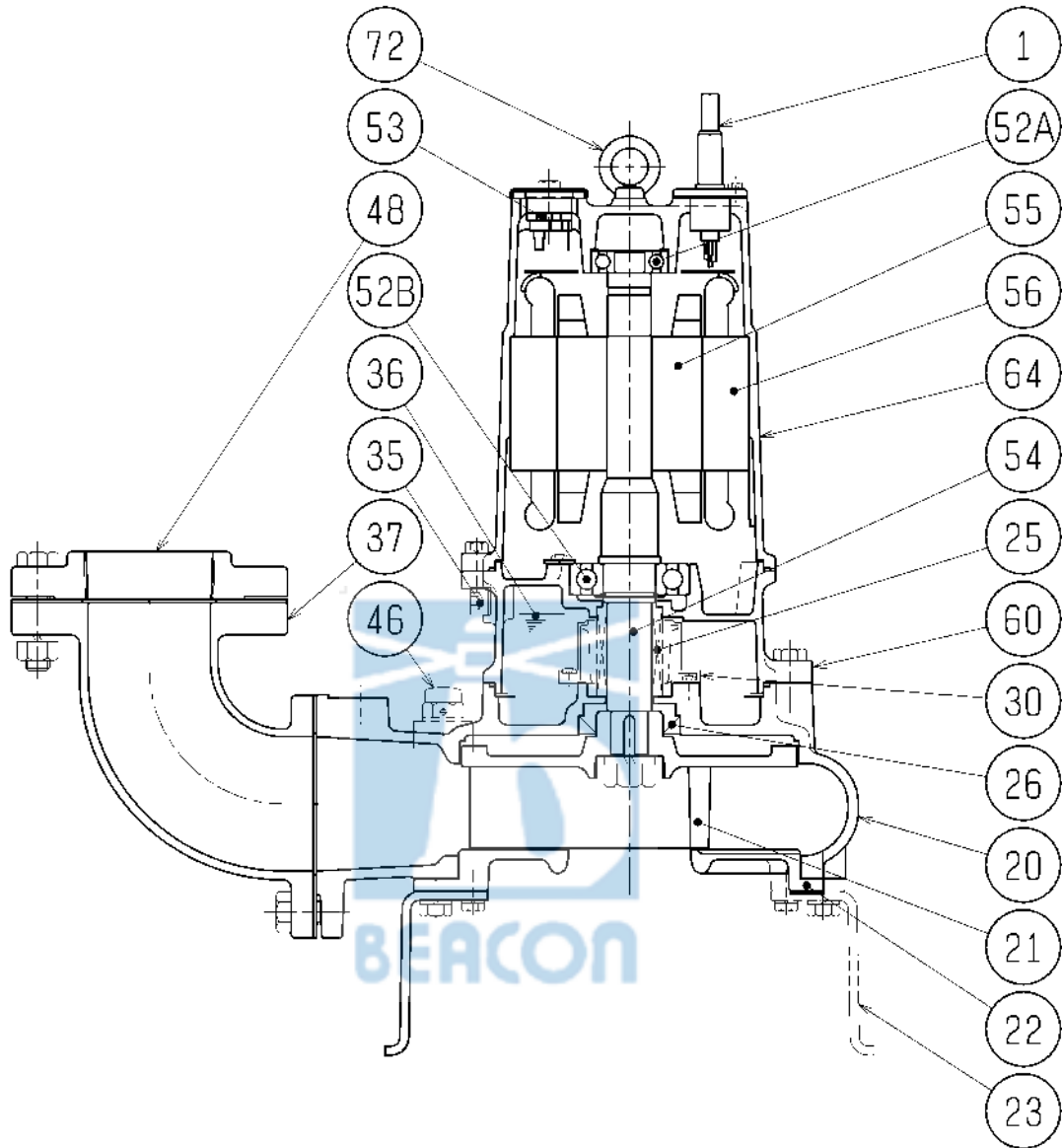


The Figure in ( ) shows the dimensions of discharge Bore at Nominal Dia φ100.

C. W. L. :Continuous running Water Level  
L. W. L. :Lowest running Water Level  
\*excluding cable

MODEL	A	A1	A2	B	D	D1	D2	W1	W2	H	Approximate Weight (kg)
80/100B42.2-52/62	568 (596)	322 (337)	154	304 (329)	324	158	166	570	225	616	68kg
80/100B43.7-52/62	574 (601)	322 (337)	159	309 (334)	333	158	175	645	235	690	84kg

<b>SECTIONAL DRAWING</b>		No.	No. A-19419-2
TYPE	Sewage Submersible Channel Impeller Pump	MODEL	80/100B42.2 -52/62 80/100B43.7 -52/62



	2.2kW	3.7kW
※1	H-30A	H-35A
※2	TC456812	TC507212
※3	6307ZZC3	6309ZZC3

※4 the wetted part

REQ. SPECIFICATION		

No.	DESCRIPTION	QTY	MATERIAL / NOTE	No.	DESCRIPTION	QTY	MATERIAL / NOTE
1	Cable	1	PVC Sheath	48	Screwed Flange	1	Gray Iron Casting
20	Pump Casing	1	Gray Iron Casting	52A	Upper Bearing	1	6304ZZC3
21	Impeller	1	Gray Iron Casting	52B	Lower Bearing	1	※3
22	Suction Cover	1	Gray Iron Casting	53	Motor Protector	1	
23	Stand	3	Steel Plate	54	Shaft	1	Stainless Steel 420J2(※4)
25	Mechanical Seal	1	※1	55	Rotor	1	
26	Oil Seal	1	※2	56	Stator	1	
30	Oil Lifter	1	Plastic	60	Bearing Housing	1	Gray Iron Casting
35	Oil Plug	1	Stainless Steel 304	64	Motor Frame	1	Gray Iron Casting
36	Lubricant		Turbine Oil (ISO VG32)	72	Eye Bolt	2	Stainless Steel 304
37	Discharge Bend	1	Gray Iron Casting				
46	Air Release Valve	1	Nylon				

NO. A-16593-1

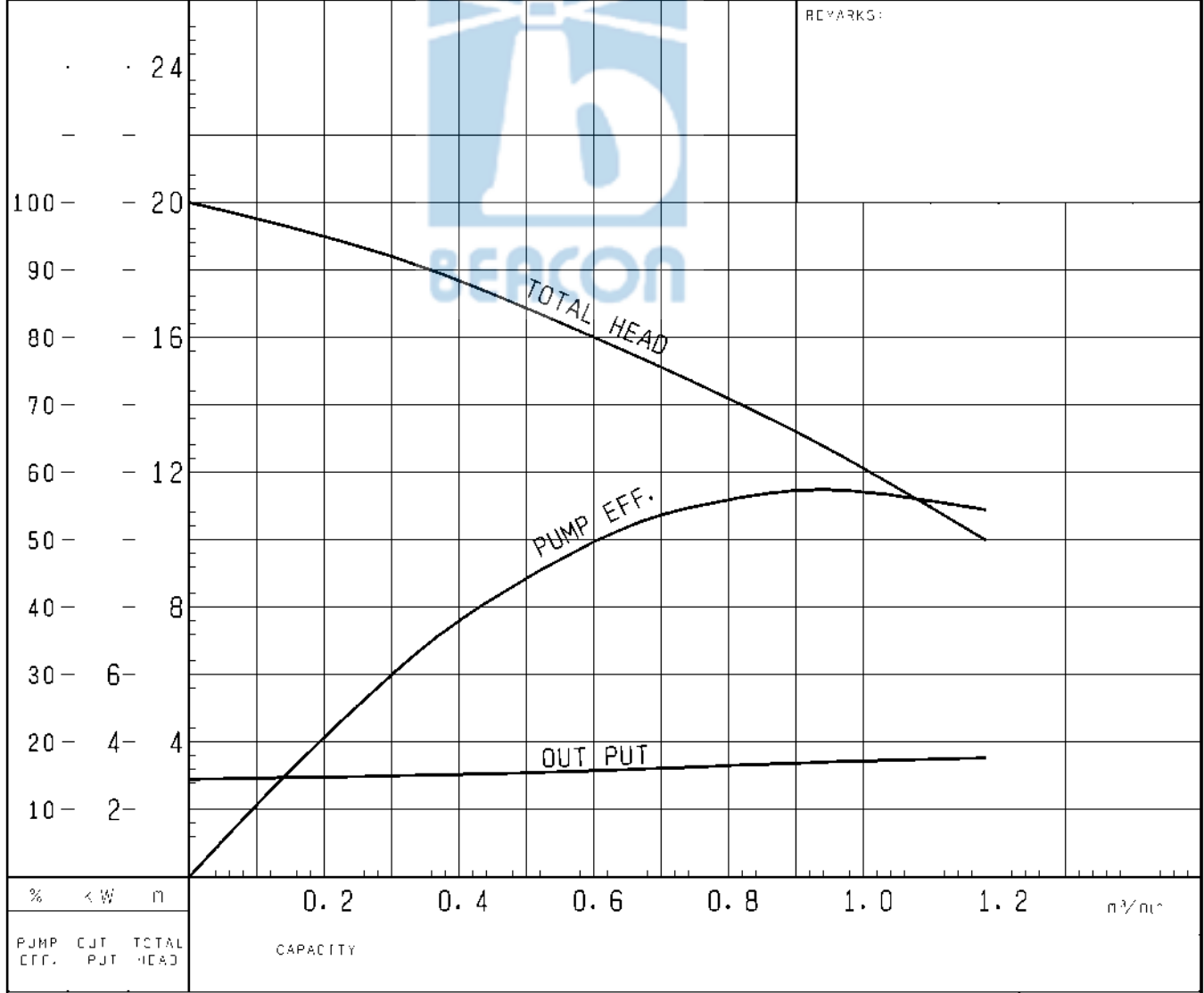
# PUMP PERFORMANCE CURVES

TYPE Submersible Channel Impeller Sewage Pump	MODEL 100B43.7H -53 TOS100B43.7H -53	FREQUENCY 50 Hz
---	--	--------------------

CUSTOMER'S NAME \_\_\_\_\_

EQUIPMENT TITLE \_\_\_\_\_ NO. \_\_\_\_\_

	STANDARD SPECIFICATIONS	REQUIRED SPECIFICATIONS
DISCHARGE BORE	100 <small>mm</small>	<small>mm</small>
TOTAL HEAD	16 <small>m</small>	<small>m</small>
CAPACITY	0.6 <small>m<sup>3</sup>/min</small>	<small>m<sup>3</sup>/min</small>
MOTOR OUTPUT	3.7 <small>kW</small>	<small>kW</small>
PHASE x VOLTAGE	3 $\phi$ x <small>v</small>	$\phi$ x <small>v</small>
CURRENT	<small>A</small>	<small>A</small>
POLES / REVOLUTION	4 P / s. s. 1500 <small>min<sup>-1</sup></small>	P / <small>min<sup>-1</sup></small>
STARTING METHOD	DIRECT ON LINE	
INSULATION CLASS	E	

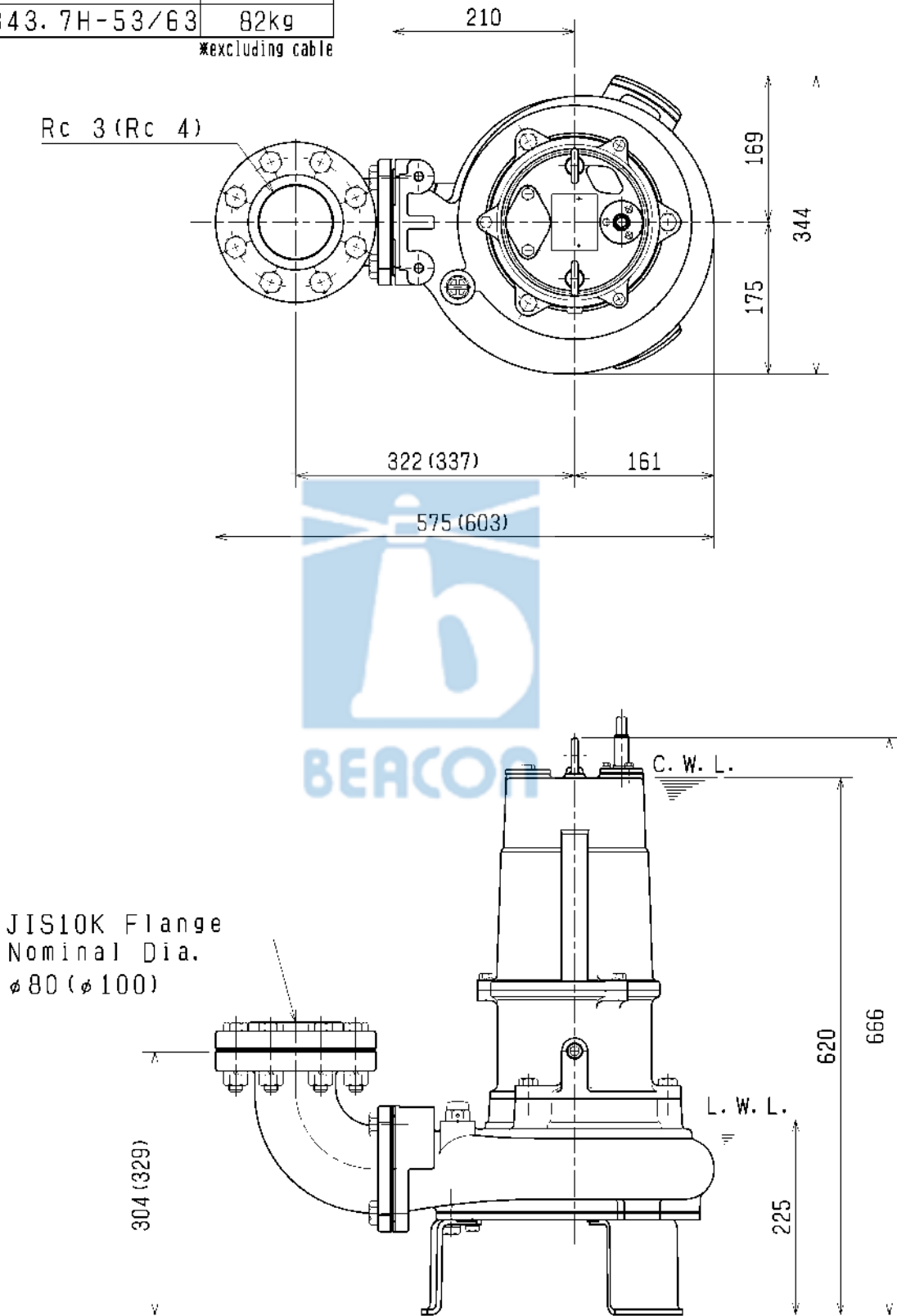


TSURUMI MFG. CO., LTD.

DIMENSION DRAWING		No.	No.
TYPE	Submersible Channel Impeller Sewage Pump	MODEL	80B43.7H -53/63 100B43.7H -53/63

MODEL	Approximate Weight(*)
80B43.7H -53/63	82kg
100B43.7H-53/63	82kg

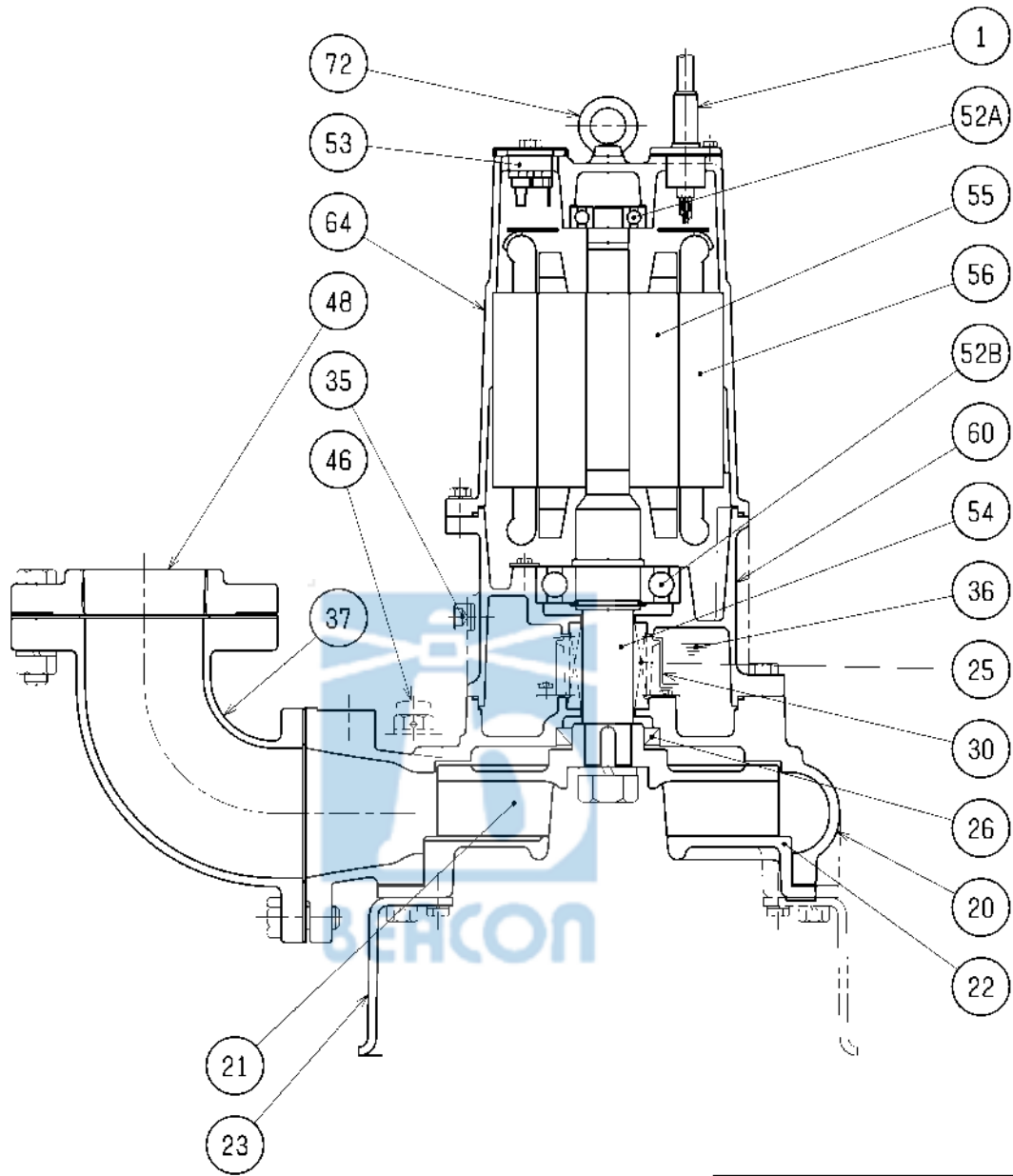
\*excluding cable



The Figure in ( ) shows the dimensions of discharge Bore at Nominal  $\phi 100$ .

C.W.L.:Continuous running Water Level  
L.W.L.:Lowest running Water Level

<b>SECTIONAL DRAWING</b>		No.	No. A-16588-3
TYPE	Sewage Submersible Channel Impeller Pump	MODEL	80B43.7H -53/63 100B43.7H -53/63



REQ. SPECIFICATION

※ the wetted part

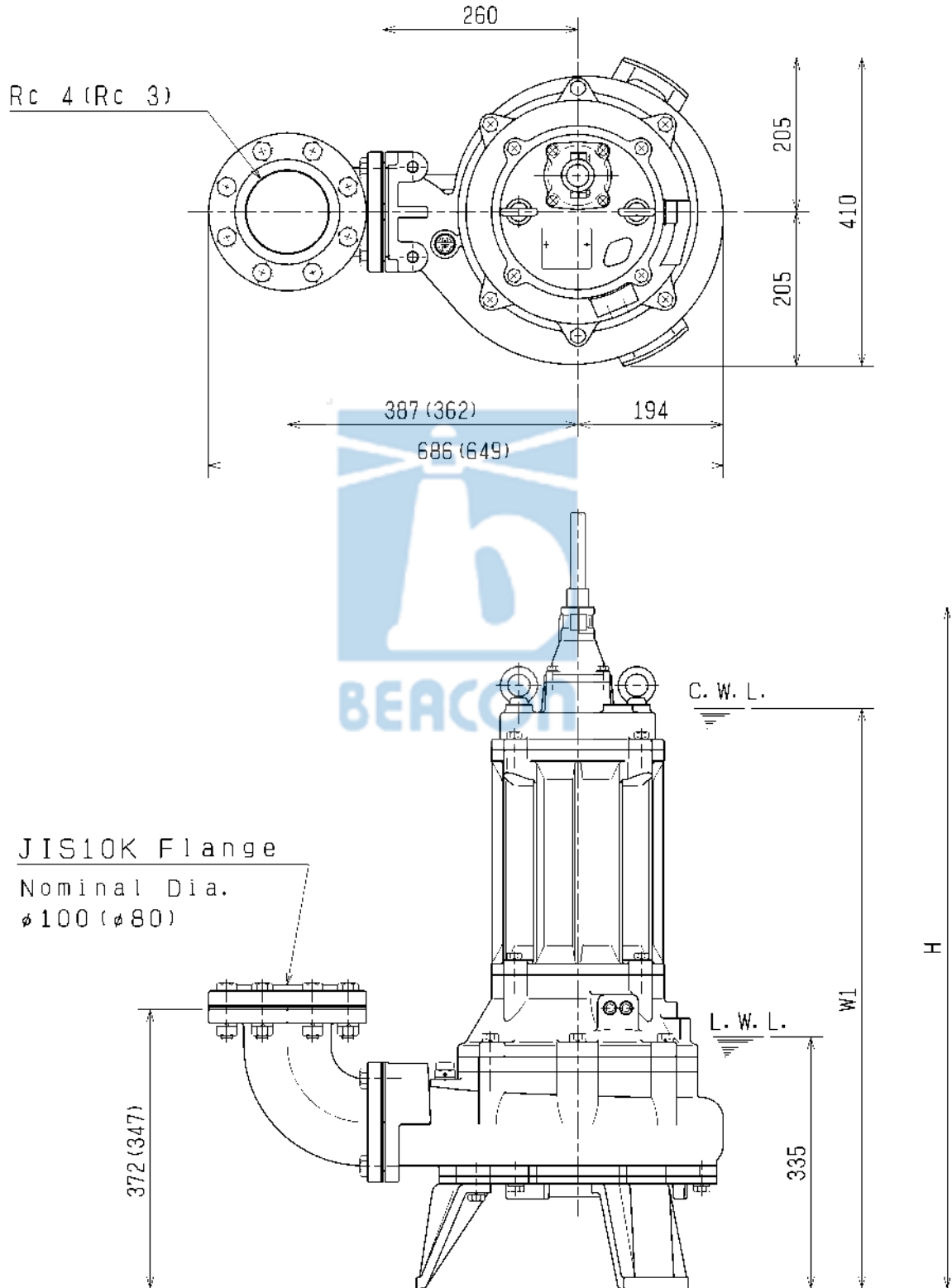
No.	DESCRIPTION	QTY	MATERIAL / NOTE	No.	DESCRIPTION	QTY	MATERIAL / NOTE
1	Cable	1	PVC Sheath	48	Screwed Flange	1	Gray Iron Casting
20	Pump Casing	1	Gray Iron Casting	52A	Upper Bearing	1	6304ZC3
21	Impeller	1	Gray Iron Casting	52B	Lower Bearing	1	6309ZC3
22	Suction Cover	1	Gray Iron Casting	53	Motor Protector	1	
23	Stand	3	Steel Plate	54	Shaft	1	Stainless Steel 420J2(※)
25	Mechanical Seal	1	H-35A	55	Rotor	1	
26	Oil Seal	1	TC507212	56	Stator	1	
30	Oil Lifter	1	Plastic	60	Bearing Housing	1	Gray Iron Casting
35	Oil Plug	1	Stainless Steel 304	64	Motor Frame	1	Gray Iron Casting
36	Lubricant		Turbine Oil (ISO VG32)	72	Eye Bolt	2	Stainless Steel 304
37	Discharge Bend	1	Gray Iron Casting				
46	Air Release Valve	1	Nylon				



DIMENSION DRAWING		No.	No.	A-18775-1
TYPE	Submersible Channel Impeller Sewage Pump	MODEL	100B45.5 -54/64 100B47.5 -54/64	

MODEL	W1	H	Approximate Weight (※)
100B45.5-54/64	775	908	147kg
100B47.5-54/64	800	929	169kg

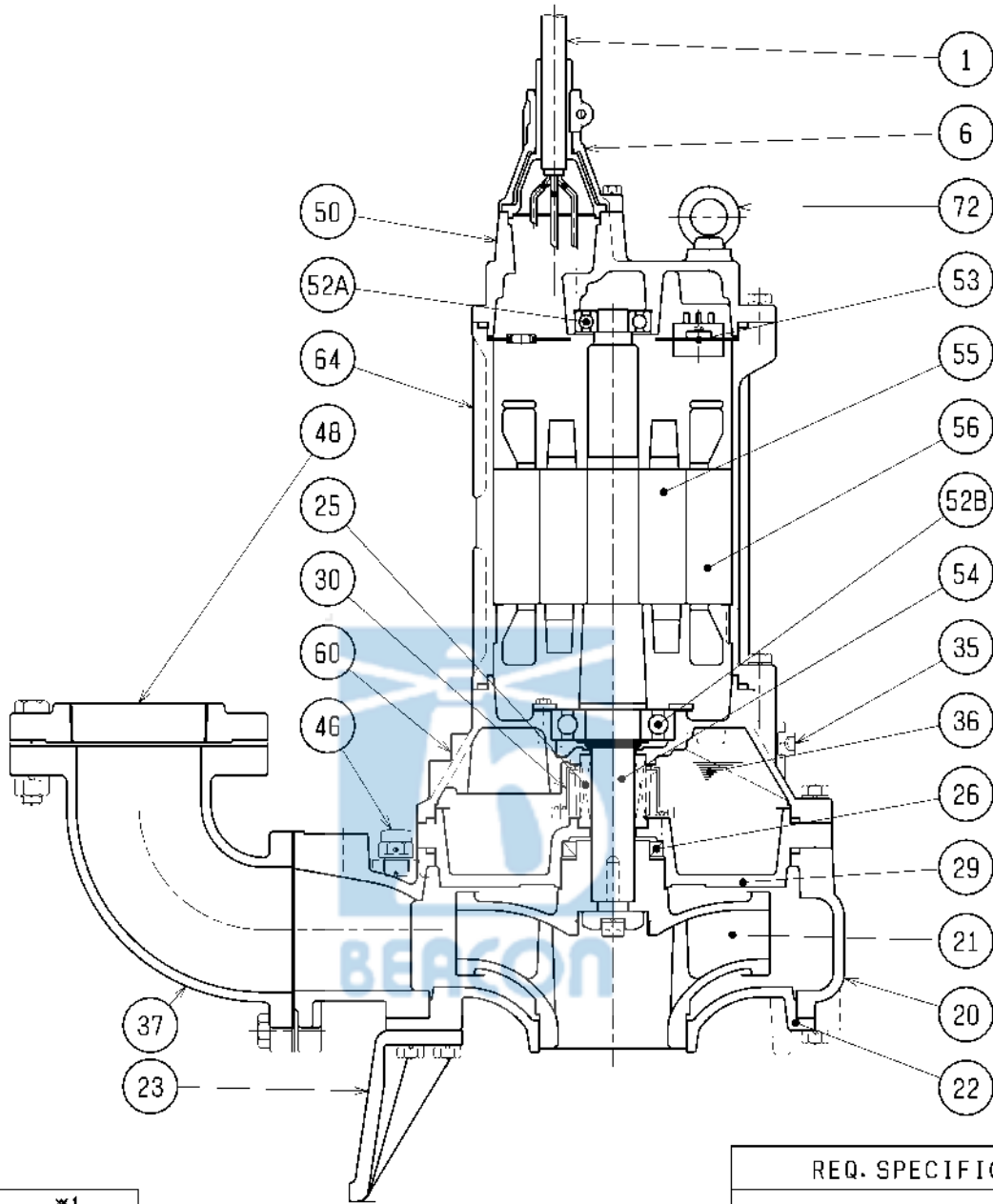
※excluding cable



The Figure in ( ) shows the dimensions of discharge Bore at Nominal φ80.

C. W. L. : Continuous running Water Level  
L. W. L. : Lowest running Water Level

<b>SECTIONAL DRAWING</b>		No.	No. A-18792-1
TYPE	Sewage Submersible Channel Impeller Pump	MODEL	100B45.5 -54/64 100B47.5 -54/64



REQ. SPECIFICATION	

	※1
5.5kW	6305ZZC3
7.5kW	6306ZZC3

No.	DESCRIPTION	QTY	MATERIAL / NOTE	No.	DESCRIPTION	QTY	MATERIAL / NOTE
1	Cable	1	Chloroprene Sheath	48	Screwed Flange	1	Gray Iron Casting
6	Stuffing Box	1	Gray Iron Casting	50	Motor Bracket	1	Gray Iron Casting
20	Pump Casing	1	Gray Iron Casting	52A	Upper Bearing	1	※1
21	Impeller	1	Gray Iron Casting	52B	Lower Bearing	1	6309ZZC3
22	Suction Cover	1	Gray Iron Casting	53	Motor Protector	1	
23	Stand	3	Gray Iron Casting	54	Shaft	1	Stainless Steel 420J2
25	Mechanical Seal	1	H-35A	55	Rotor	1	
26	Oil Seal	1	TC608212	56	Stator	1	
29	Oil Casing	1	Gray Iron Casting	60	Bearing Housing	1	Gray Iron Casting
30	Oil Lifter	1	Plastic	64	Motor Frame	1	Gray Iron Casting
35	Oil Plug	2	Stainless Steel 304	72	Eye Bolt	2	Structure Steel
36	Lubricant		Turbine Oil (ISO VG32)				
37	Discharge Bend	1	Gray Iron Casting				
46	Air Release Valve	1	Nylon				

NO. A-18729-1

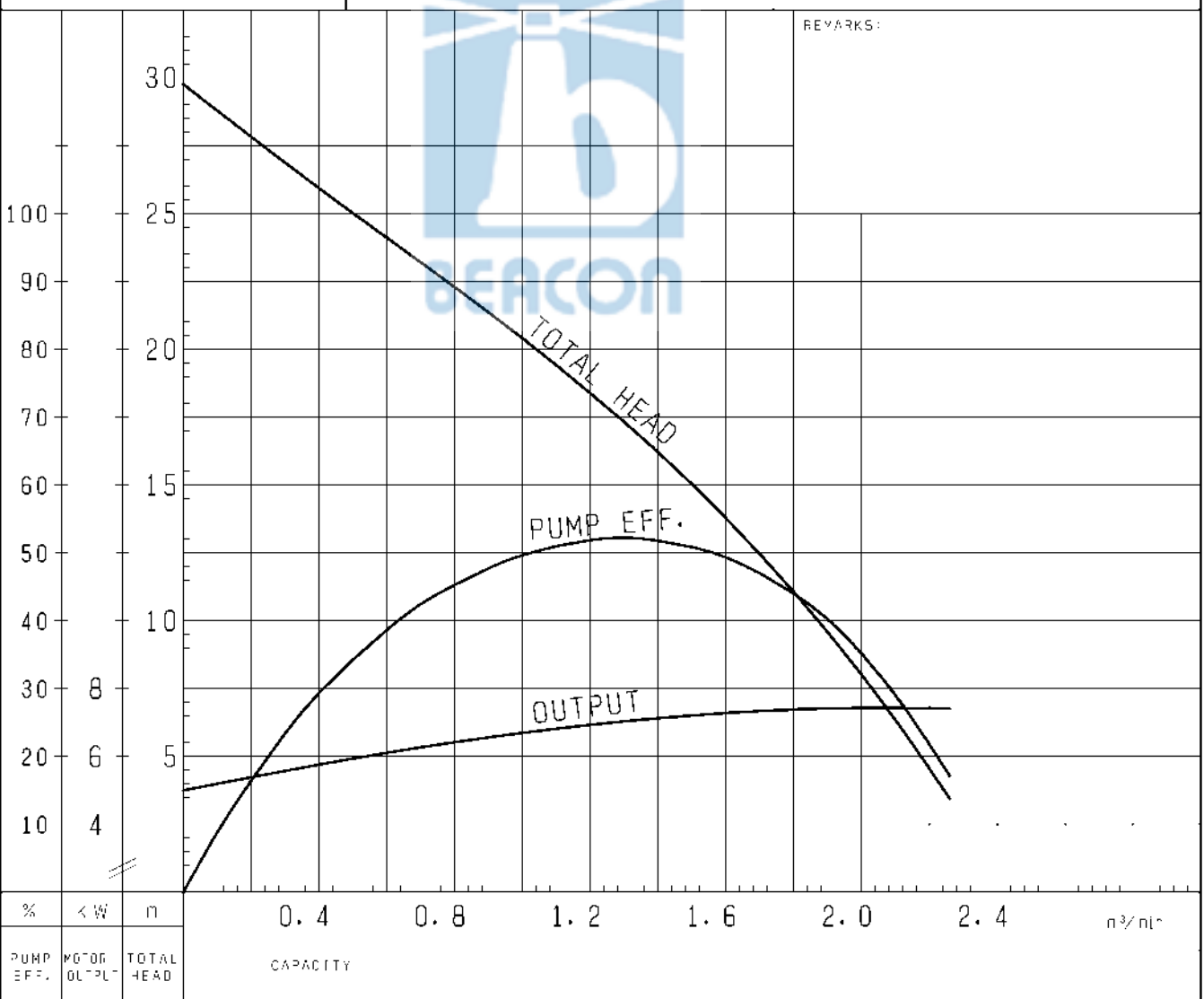
# PUMP PERFORMANCE CURVES

TYPE Sewage Submersible Channel Impeller Pump	MODEL 100B47.5 -54 TOS100B47.5 -54	FREQUENCY 50 Hz
--	---------------------------------------	-----------------

CUSTOMER'S NAME \_\_\_\_\_

EQUIPMENT TITLE \_\_\_\_\_ NO. \_\_\_\_\_

	STANDARD SPECIFICATIONS	REQUIRED SPECIFICATIONS
DISCHARGE BORE	100 mm	mm
TOTAL HEAD	20 m	m
CAPACITY	1.0 m <sup>3</sup> /min	m <sup>3</sup> /min
MOTOR OUTPUT	7.5 kW	kW
PHASE x VOLTAGE	3 φ x V	φ x V
CURRENT	A	A
POLES / REVOLUTION	4 P / s. s. 1500 min <sup>-1</sup>	P / min <sup>-1</sup>
STARTING METHOD	DIRECT ON LINE	
INSULATION CLASS	F	

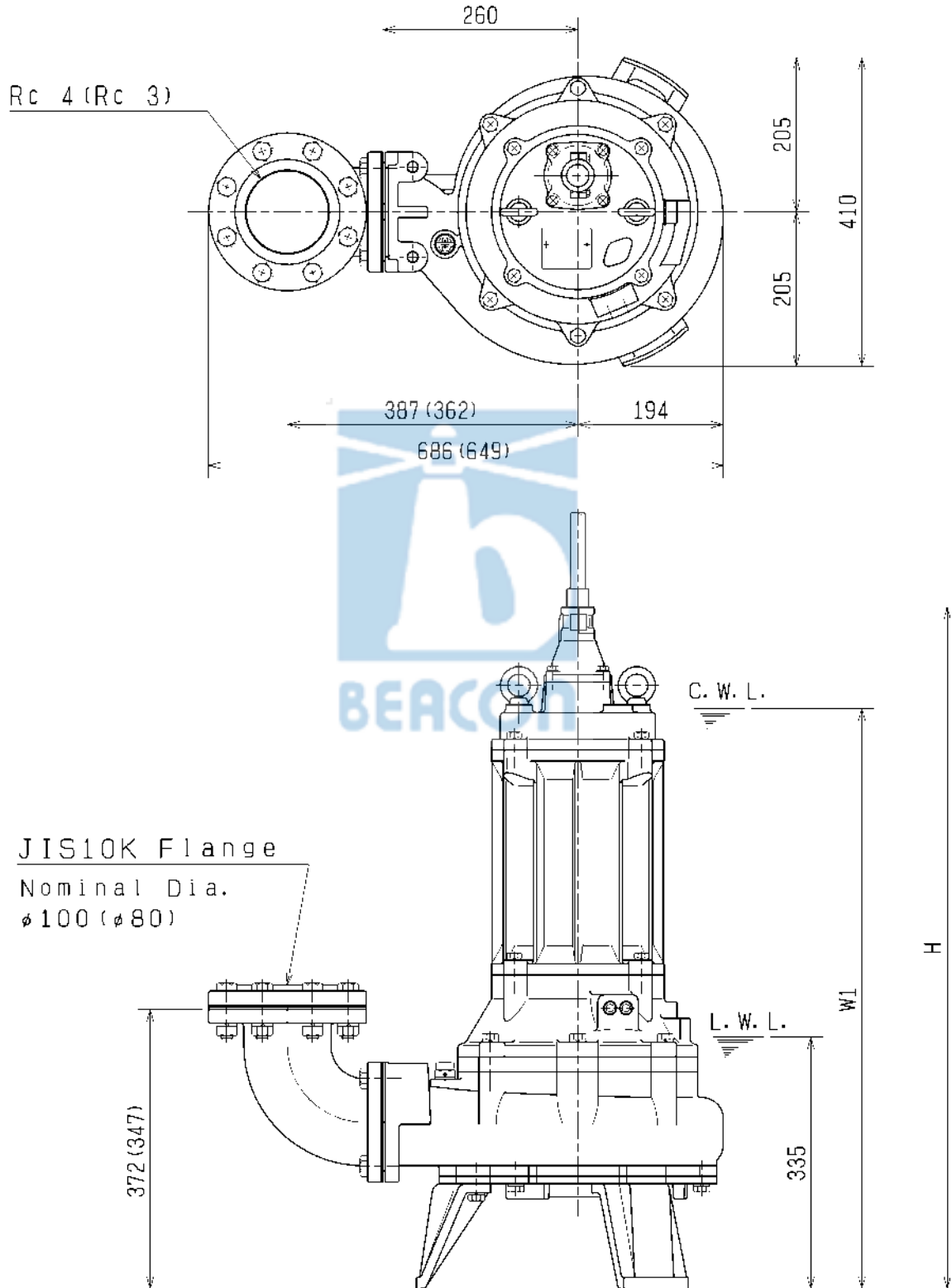


TSURUMI MFG. CO., LTD.

<b>DIMENSION DRAWING</b>		No.	No.	A-18775-1
TYPE	Submersible Channel Impeller Sewage Pump	MODEL	100B45.5 -54/64	100B47.5 -54/64

MODEL	W1	H	Approximate Weight (※)
100B45.5-54/64	775	908	147kg
100B47.5-54/64	800	929	169kg

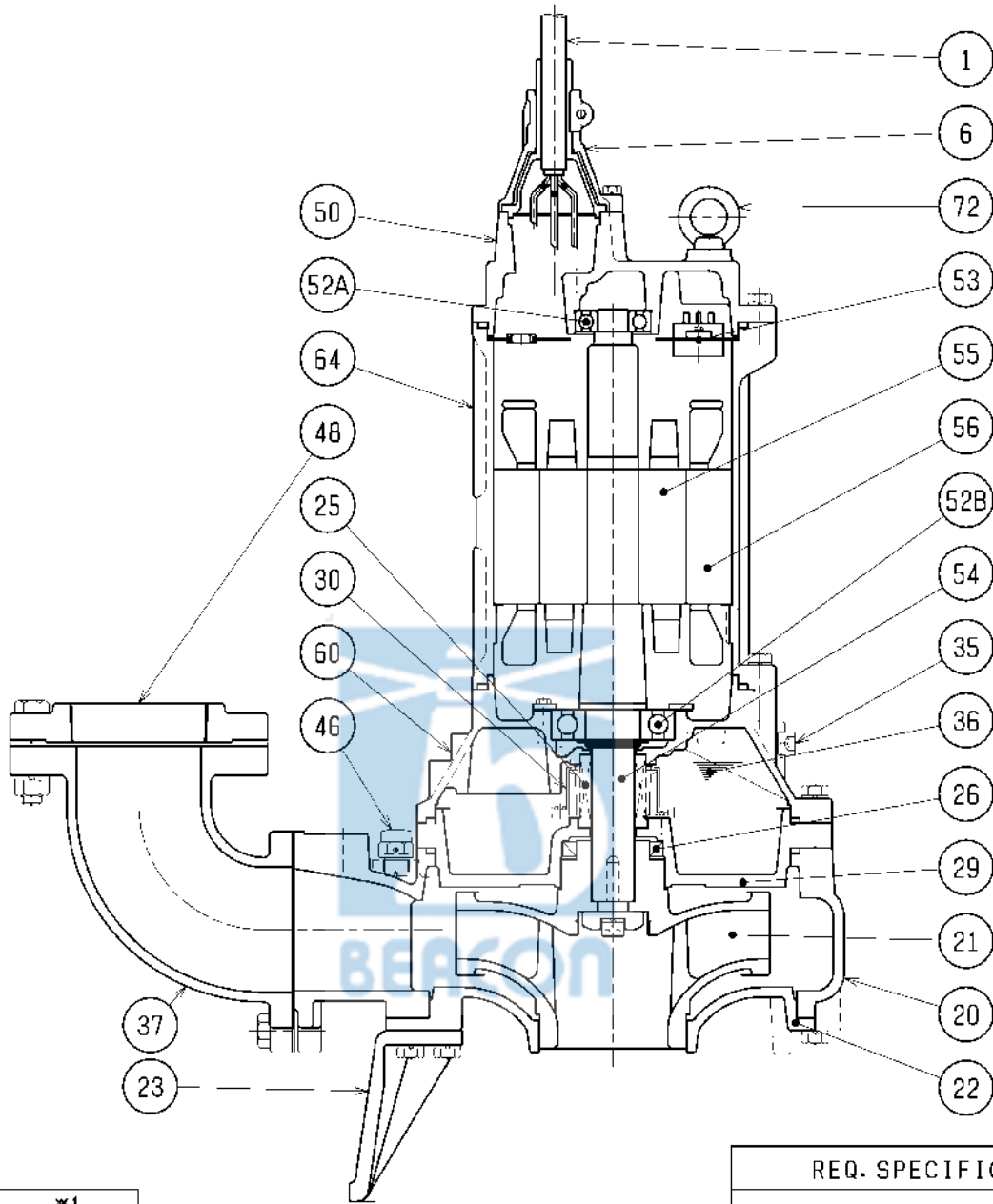
※excluding cable



The Figure in ( ) shows the dimensions of discharge Bore at Nominal  $\phi 80$ .

C. W. L. : Continuous running Water Level  
L. W. L. : Lowest running Water Level

<b>SECTIONAL DRAWING</b>		No.	No. A-18792-1
TYPE	Sewage Submersible Channel Impeller Pump	MODEL	100B45.5 -54/64 100B47.5 -54/64



REQ. SPECIFICATION	

	※1
5.5kW	6305ZZC3
7.5kW	6306ZZC3

No.	DESCRIPTION	QTY	MATERIAL / NOTE	No.	DESCRIPTION	QTY	MATERIAL / NOTE
1	Cable	1	Chloroprene Sheath	48	Screwed Flange	1	Gray Iron Casting
6	Stuffing Box	1	Gray Iron Casting	50	Motor Bracket	1	Gray Iron Casting
20	Pump Casing	1	Gray Iron Casting	52A	Upper Bearing	1	※1
21	Impeller	1	Gray Iron Casting	52B	Lower Bearing	1	6309ZZC3
22	Suction Cover	1	Gray Iron Casting	53	Motor Protector	1	
23	Stand	3	Gray Iron Casting	54	Shaft	1	Stainless Steel 420J2
25	Mechanical Seal	1	H-35A	55	Rotor	1	
26	Oil Seal	1	TC608212	56	Stator	1	
29	Oil Casing	1	Gray Iron Casting	60	Bearing Housing	1	Gray Iron Casting
30	Oil Lifter	1	Plastic	64	Motor Frame	1	Gray Iron Casting
35	Oil Plug	2	Stainless Steel 304	72	Eye Bolt	2	Structure Steel
36	Lubricant		Turbine Oil (ISO VG32)				
37	Discharge Bend	1	Gray Iron Casting				
46	Air Release Valve	1	Nylon				

NO. A-13997-1

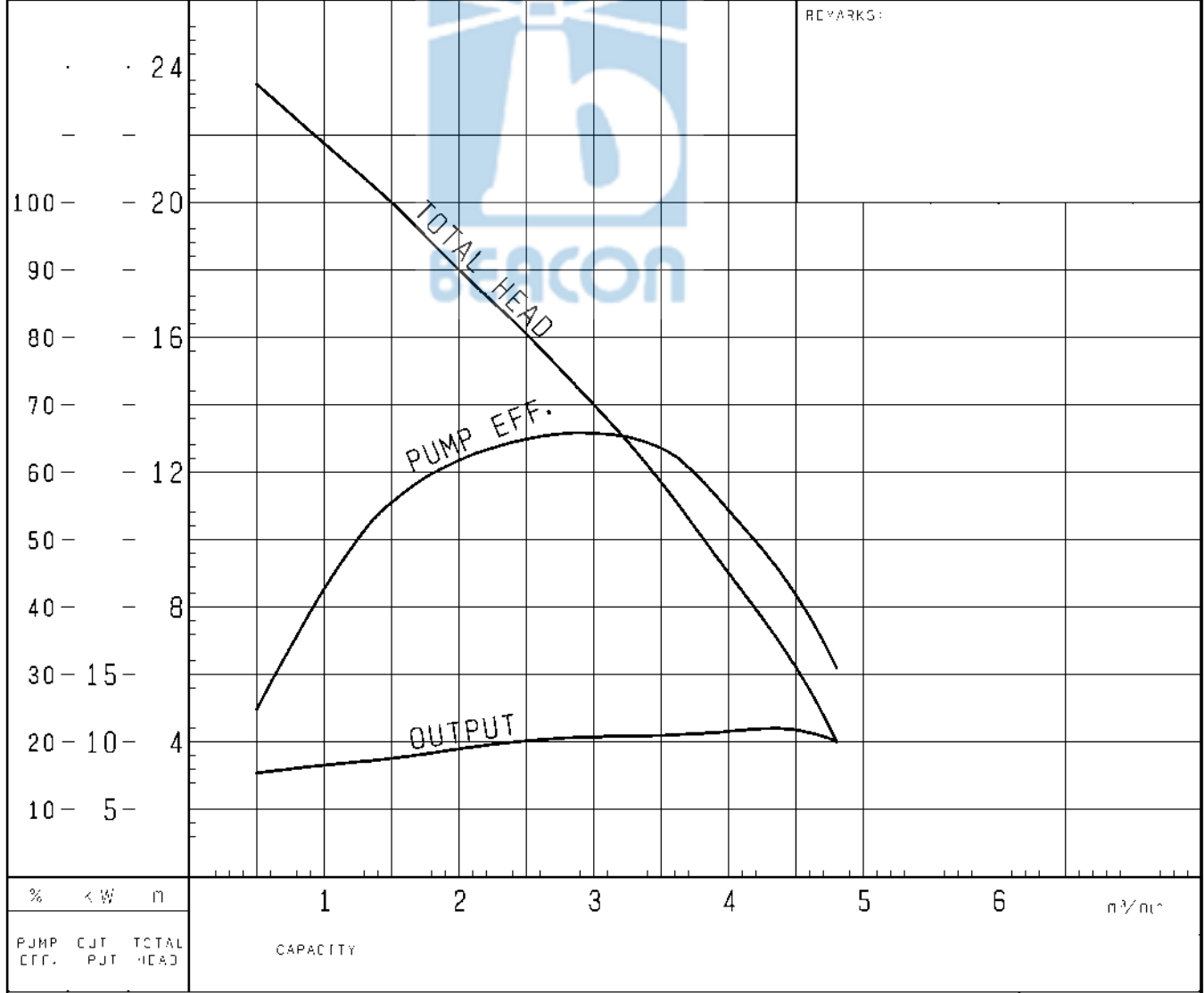
# PUMP PERFORMANCE CURVES

TYPE Sewage Submersible Channel Impeller Pump	MODEL 150B411 -53 TOS150B411 -53	FREQUENCY 50 Hz
--	-------------------------------------	-----------------

CUSTOMER'S NAME \_\_\_\_\_

EQUIPMENT TITLE \_\_\_\_\_ NO. \_\_\_\_\_

	STANDARD SPECIFICATIONS	REQUIRED SPECIFICATIONS
DISCHARGE BORE	150 mm	mm
TOTAL HEAD	15.5 m	m
CAPACITY	2.5 m <sup>3</sup> /min	m <sup>3</sup> /min
MOTOR OUTPUT	11 kW	kW
PHASE x VOLTAGE	3 $\phi$ x	$\phi$ x V
CURRENT	A	A
POLES / REVOLUTION	4 P / s. s. 1500 min <sup>-1</sup>	P / min <sup>-1</sup>
STARTING METHOD	STAR-DELTA	
INSULATION CLASS	F	

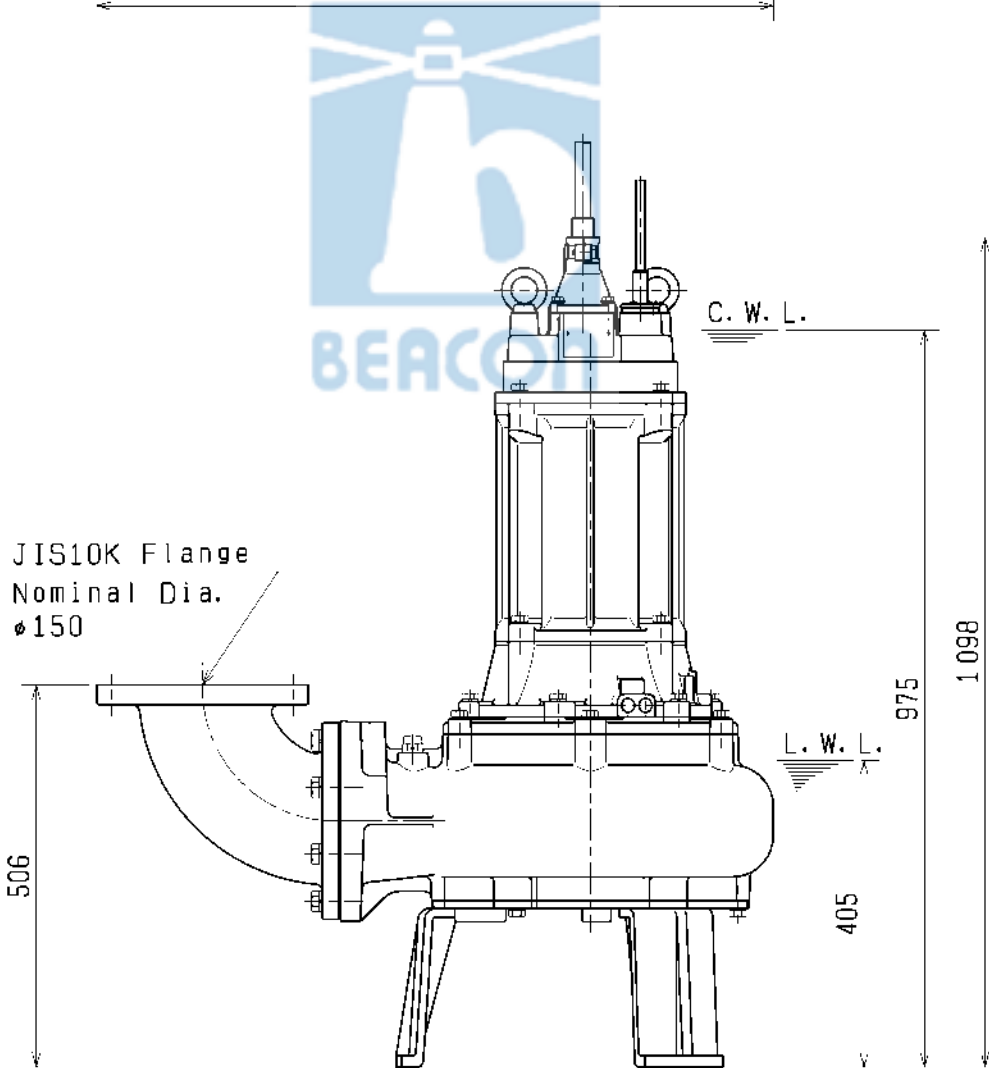
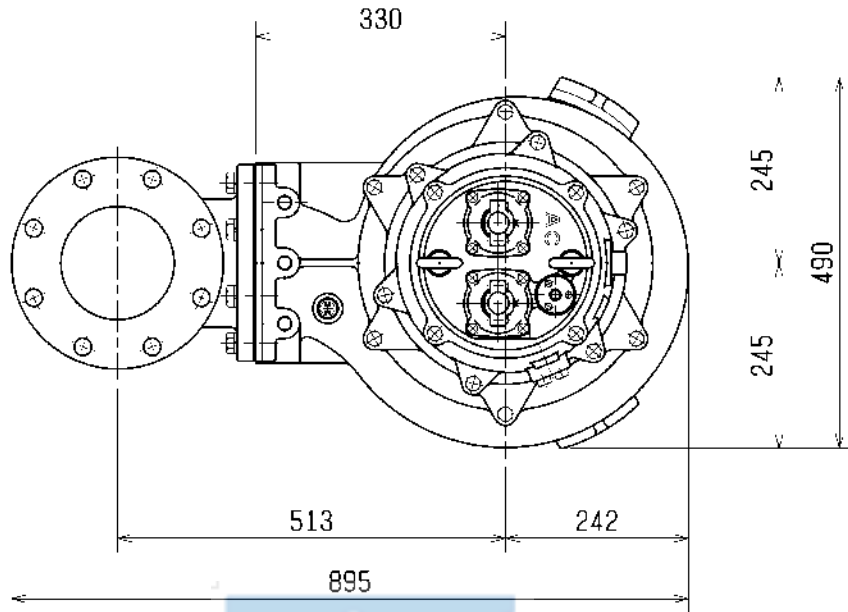


%	kW	m							
PUMP EFF.	CJT PWT	TOTAL HEAD							

TSURUMI MFG. CO., LTD.

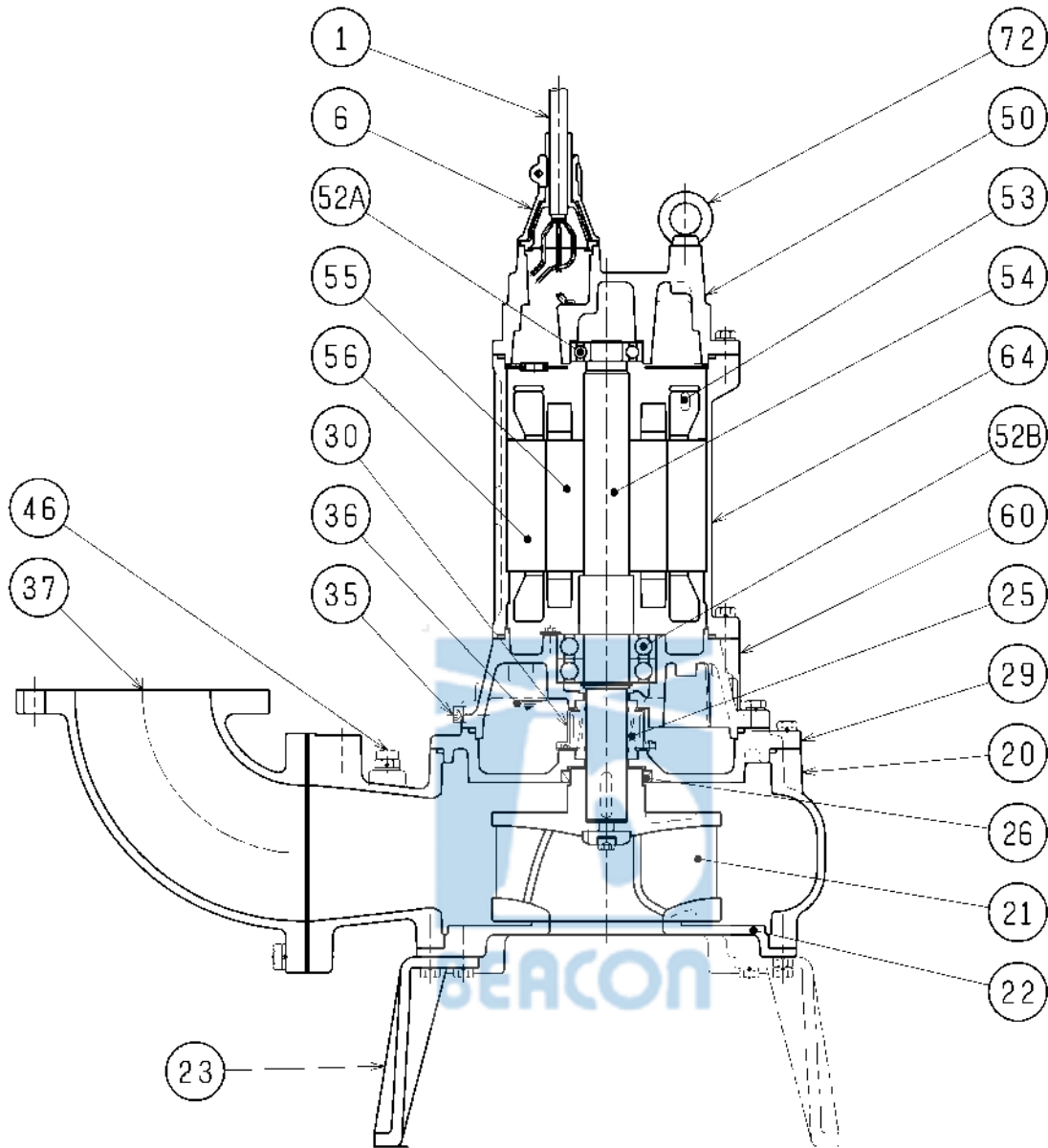
<b>DIMENSION DRAWING</b>		No.	No. A-14010-1
TYPE	Sewage Submersible Channel Impeller Pump	MODEL	150B411 -53/63

Approximate  
Weight (kg)  
250kg  
\*excluding cable



C.W.L. :Continuous Running Water Level  
L.W.L. :Lowest Running Water Level

<b>SECTIONAL DRAWING</b>		No.	No. A-14017-1
TYPE	Sewage Submersible Channel Impeller Pump	MODEL	150B411 -53/63



REQ. SPECIFICATION
-----

No.	DESCRIPTION	QTY	MATERIAL / NOTE	No.	DESCRIPTION	QTY	MATERIAL / NOTE
1	Cable	3	Chloroprene Sheath	46	Air Release Valve	1	Nylon
6	Stuffing Box	2	Gray Iron Casting	50	Motor Bracket	1	Gray Iron Casting
20	Pump Casing	1	Gray Iron Casting	52A	Upper Bearing	1	6307ZZC3
21	Impeller	1	Gray Iron Casting	52B	Lower Bearing	1	6310ZZD2C3
22	Suction Cover	1	Gray Iron Casting	53	Motor Protector	3	
23	Stand	3	Ductile Iron Casting	54	Shaft	1	Stainless Steel 420J2
25	Mechanical Seal	1	H-45	55	Rotor	1	
26	Oil Seal	1	TC8010013	56	Stator	1	
29	Oil Casing	1	Gray Iron Casting	60	Bearing Housing	1	Gray Iron Casting
30	Oil Lifter	1	Plastic	64	Motor Frame	1	Gray Iron Casting
35	Oil Plug	2	Stainless Steel 304	72	Eye Bolt	2	Structure Steel
36	Lubricant		Turbine Oil (ISO VG32)				
37	Discharge Bend	1	Gray Iron Casting				

NO. A-13999-1

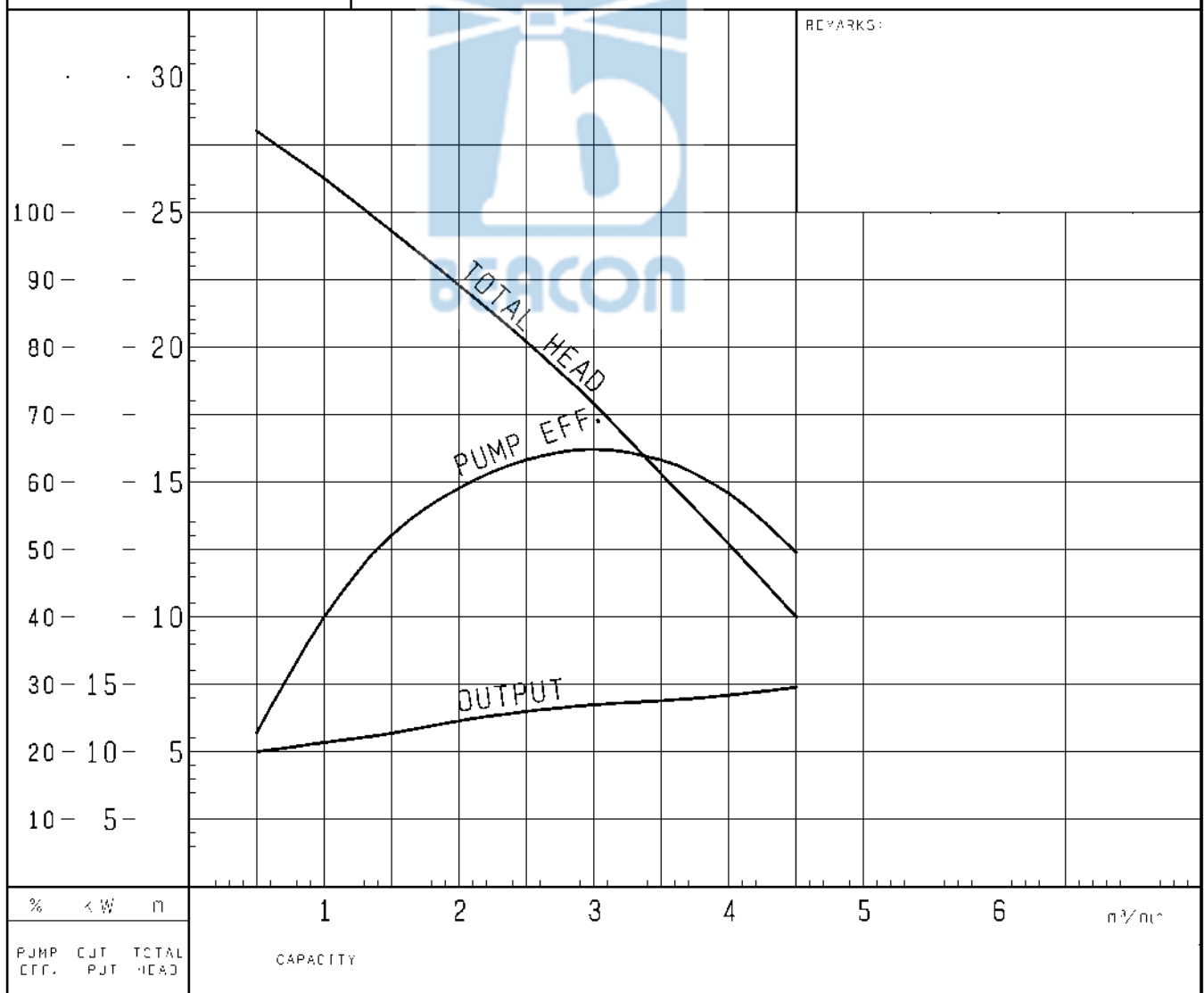
# PUMP PERFORMANCE CURVES

TYPE Sewage Submersible Channel Impeller Pump	MODEL 150B415 -53 TOS150B415 -53	FREQUENCY 50 Hz
--	-------------------------------------	-----------------

CUSTOMER'S NAME \_\_\_\_\_

EQUIPMENT TITLE \_\_\_\_\_ NO. \_\_\_\_\_

	STANDARD SPECIFICATIONS	REQUIRED SPECIFICATIONS
DISCHARGE BORE	150 mm	mm
TOTAL HEAD	20 m	m
CAPACITY	2.5 m <sup>3</sup> /min	m <sup>3</sup> /min
MOTOR OUTPUT	15 kW	kW
PHASE x VOLTAGE	3 $\phi$ x	$\phi$ x V
CURRENT	A	A
POLES / REVOLUTION	4 P / s. s. 1500 min <sup>-1</sup>	P / min <sup>-1</sup>
STARTING METHOD	STAR-DELTA	
INSULATION CLASS	F	

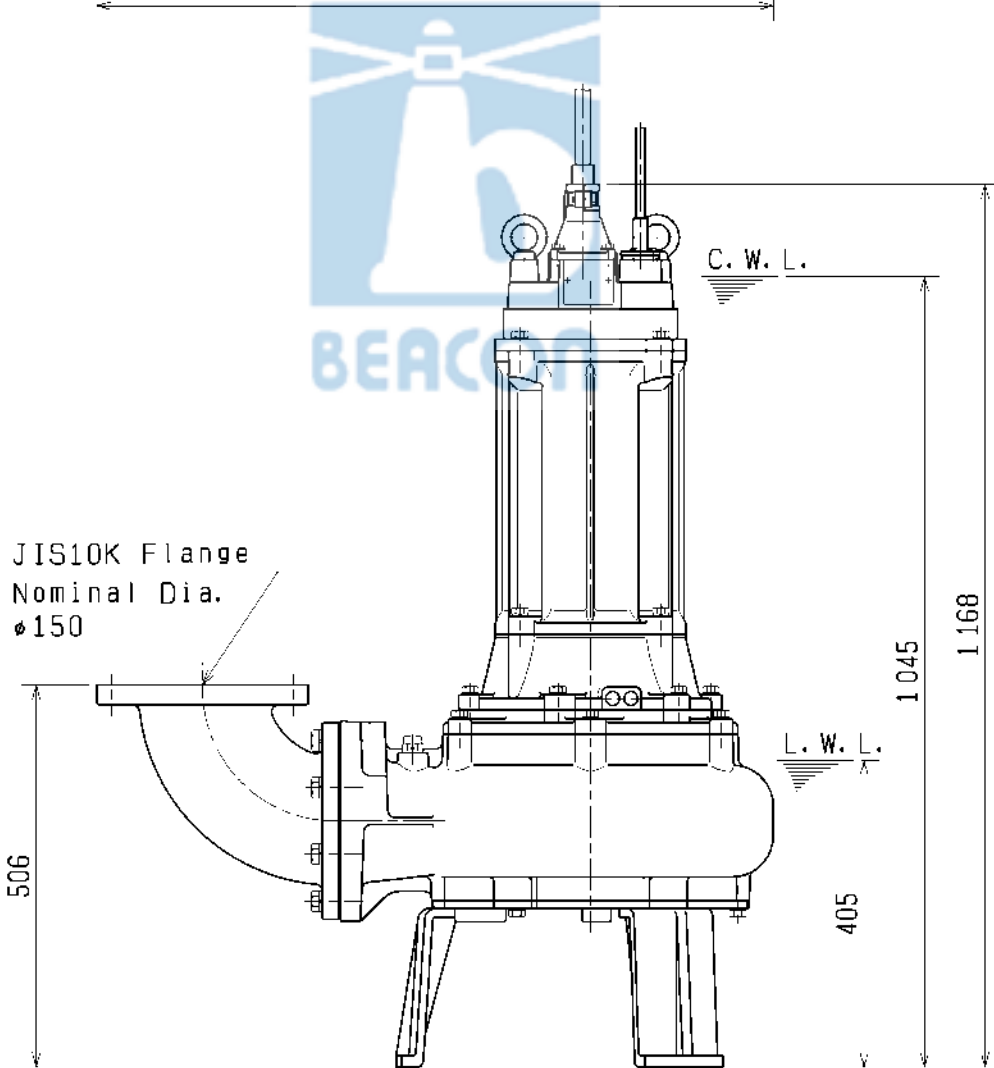
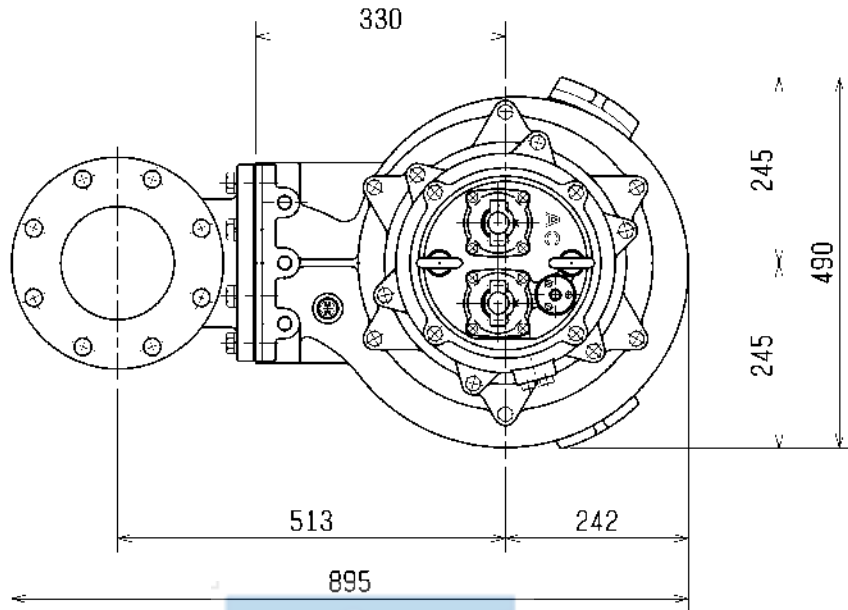


%	kW	m							
PUMP EFF.	CJT PWT	TOTAL HEAD							

TSURUMI MFG. CO., LTD.

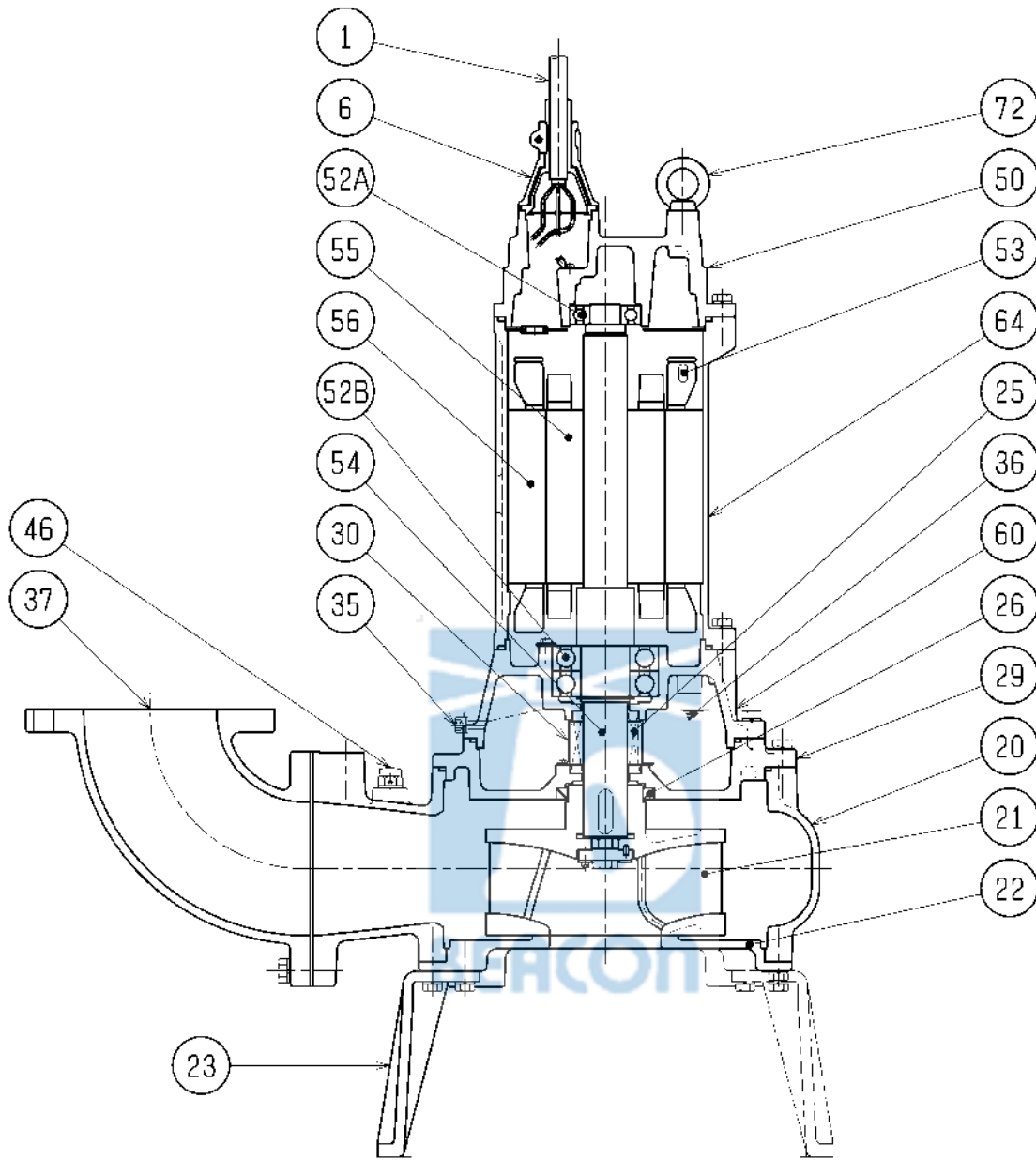
<b>DIMENSION DRAWING</b>		No.	No. A-14011-1
TYPE	Sewage Submersible Channel Impeller Pump	MODEL	150B415 -53/63

Approximate  
Weight (kg)  
**270kg**  
\*excluding cable



C. W. L. :Continuous Running Water Level  
L. W. L. :Lowest Running Water Level

<b>SECTIONAL DRAWING</b>		No.	No. A-14018-1
TYPE	Sewage Submersible Channel Impeller Pump	MODEL	150B415 -53/63



REQ. SPECIFICATION

No.	DESCRIPTION	QTY	MATERIAL / NOTE	No.	DESCRIPTION	QTY	MATERIAL / NOTE
1	Cable	3	Chloroprene Sheath	46	Air Release Valve	1	Nylon
6	Stuffing Box	2	Gray Iron Casting	50	Motor Bracket	1	Gray Iron Casting
20	Pump Casing	1	Gray Iron Casting	52A	Upper Bearing	1	6307ZZC3
21	Impeller	1	Gray Iron Casting	52B	Lower Bearing	1	6311ZZD2C3
22	Suction Cover	1	Gray Iron Casting	53	Motor Protector	3	
23	Stand	3	Ductile Iron Casting	54	Shaft	1	Stainless Steel 420J2
25	Mechanical Seal	1	H-50T	55	Rotor	1	
26	Oil Seal	1	TC8511013	56	Stator	1	
29	Oil Casing	1	Gray Iron Casting	60	Bearing Housing	1	Gray Iron Casting
30	Oil Lifter	1	Steel Plate	64	Motor Frame	1	Gray Iron Casting
35	Oil Plug	2	Stainless Steel 304	72	Eye Bolt	2	Structure Steel
36	Lubricant		Turbine Oil (ISO VG32)				
37	Discharge Bend	1	Gray Iron Casting				

NO. A-17790-1

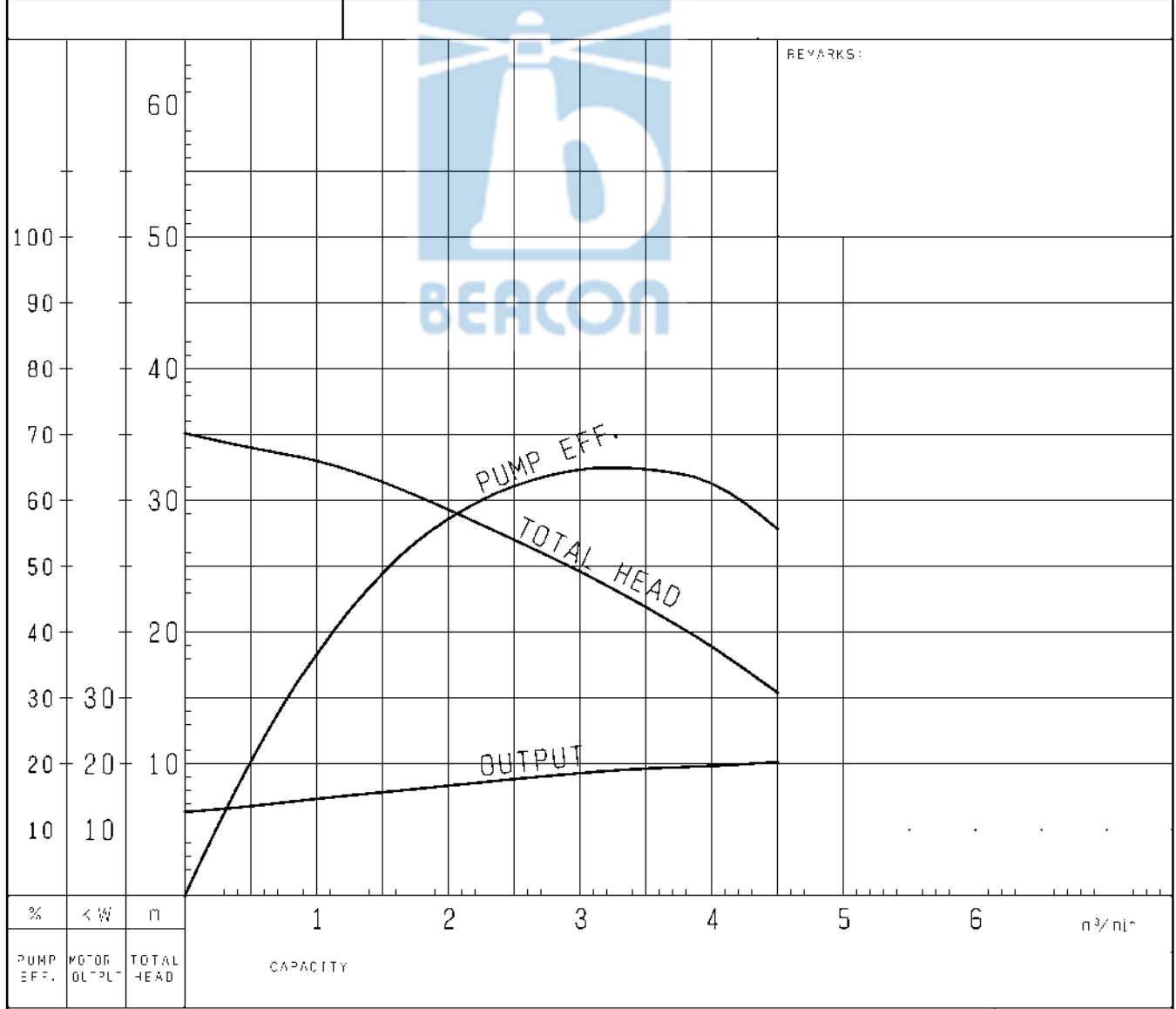
# PUMP PERFORMANCE CURVES

TYPE Sewage Submersible Channel Impeller Pump	MODEL 150B422 -55 TOS150B422 -55	FREQUENCY 50 Hz
--	-------------------------------------	-----------------

CUSTOMER'S NAME \_\_\_\_\_

EQUIPMENT TITLE \_\_\_\_\_ NO. \_\_\_\_\_

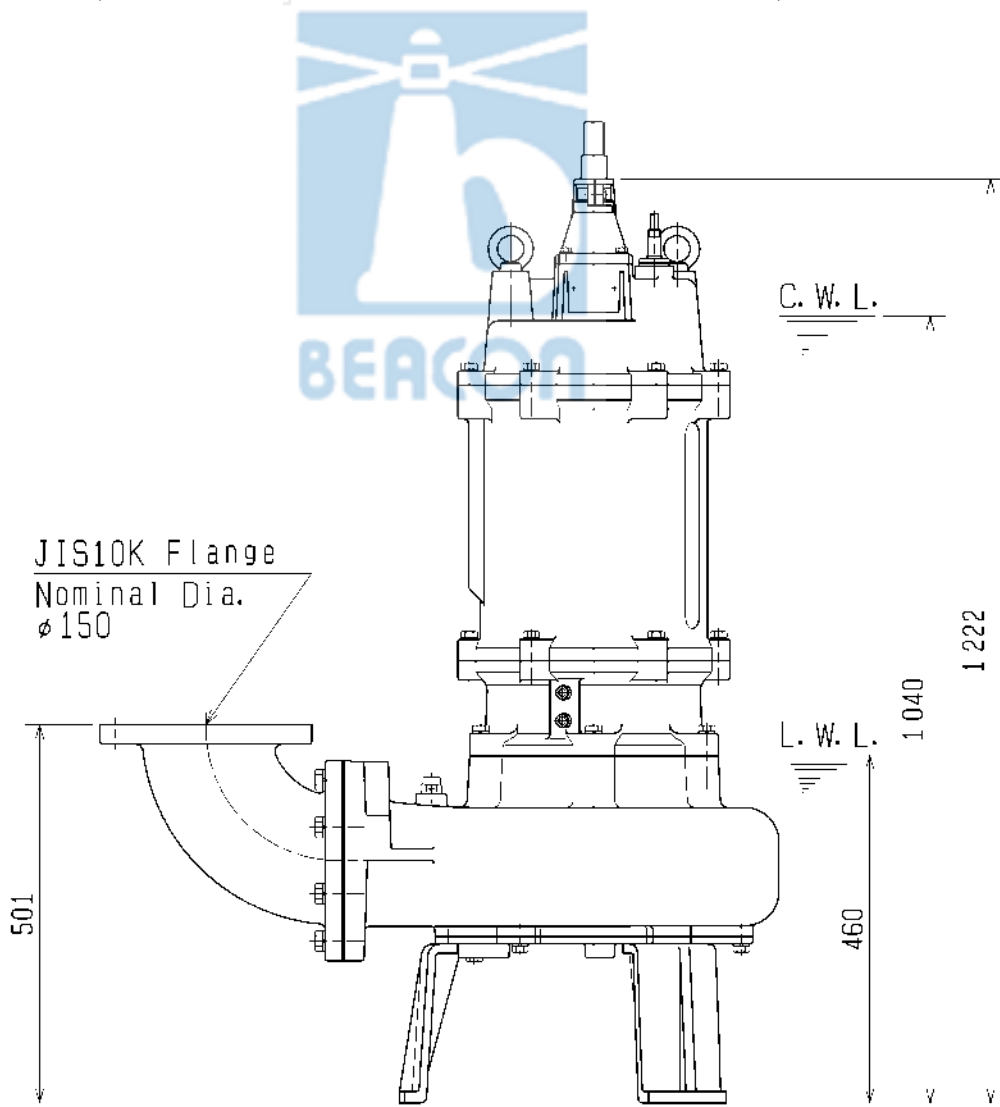
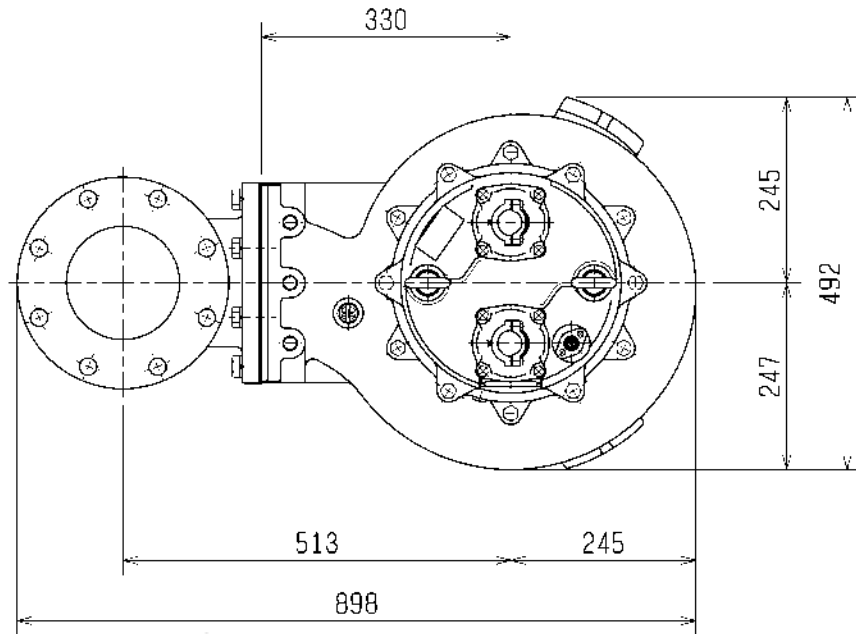
	STANDARD SPECIFICATIONS	REQUIRED SPECIFICATIONS
DISCHARGE BORE	150 mm	mm
TOTAL HEAD	27 m	m
CAPACITY	2.5 m <sup>3</sup> /min	m <sup>3</sup> /min
MOTOR OUTPUT	22 kW	kW
PHASE x VOLTAGE	3 φ x V	φ x V
CURRENT	A	A
POLES / REVOLUTION	4 P / s. s. 1500 min <sup>-1</sup>	P / min <sup>-1</sup>
STARTING METHOD	STAR-DELTA	
INSULATION CLASS	F	



TSURUMI MFG. CO., LTD.

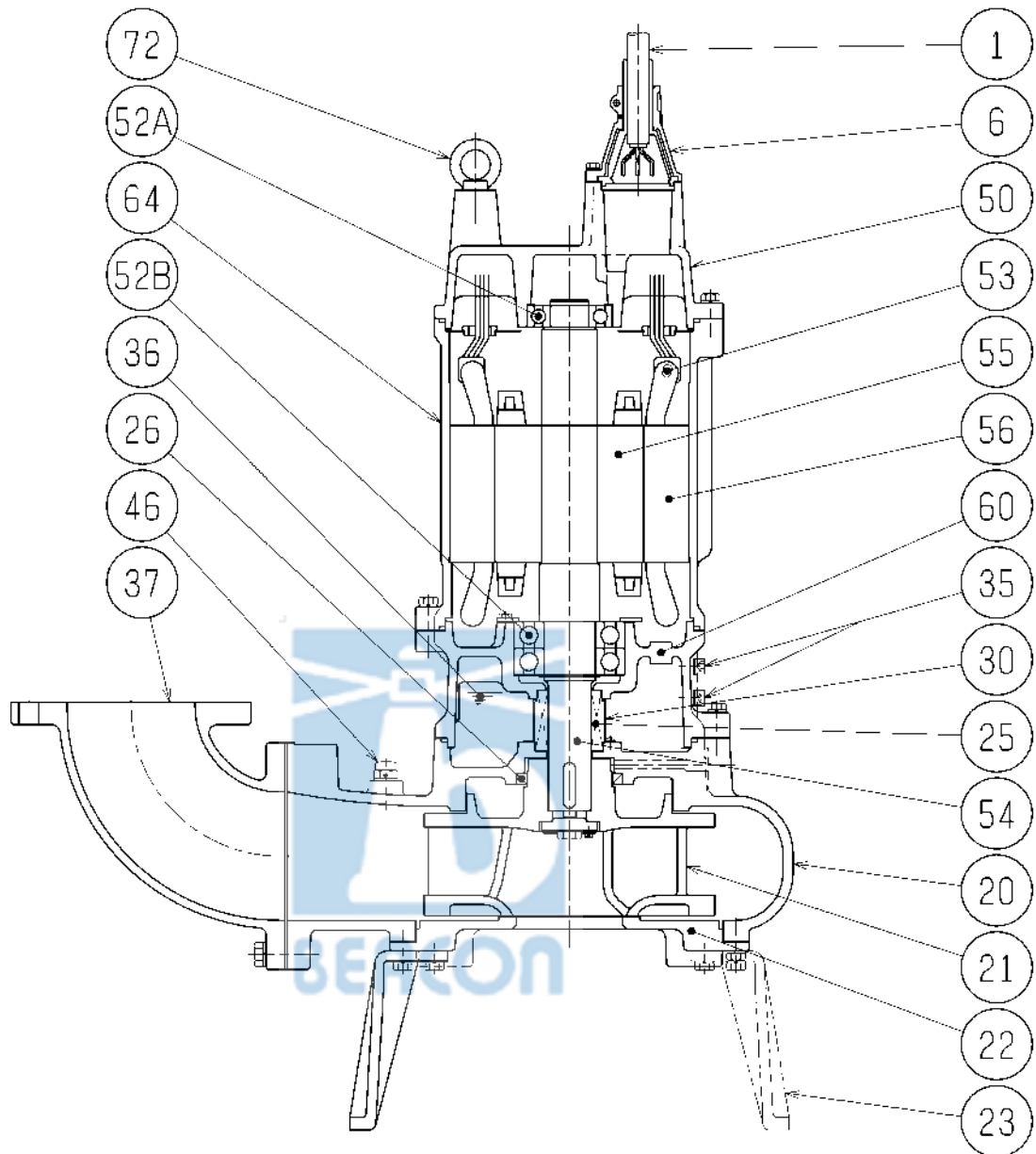
<b>DIMENSION DRAWING</b>		No.	No. A-17796-1
TYPE	Sewage Submersible Channel Impeller Pump	MODEL	150B422 -55/65

Approximate Weight (※)
327kg
※excluding cable



C.W.L. :Continuous Running Water Level  
 L.W.L. :Lowest Running Water Level

<b>SECTIONAL DRAWING</b>		No.	No. A-17799-1
TYPE	Sewage Submersible Channel Impeller Pump	MODEL	150B422 -55/65



REQ. SPECIFICATION

No.	DESCRIPTION	QTY	MATERIAL / NOTE	No.	DESCRIPTION	QTY	MATERIAL / NOTE
1	Cable	2	Chloroprene Sheath (For the Power)	46	Air Release Valve	1	Nylon
		1	PVC Sheath (For the Control)	50	Motor Bracket	1	Gray Iron Casting
6	Stuffing Box	2	Gray Iron Casting	52A	Upper Bearing	1	6309ZZC3
20	Pump Casing	1	Gray Iron Casting	52B	Lower Bearing	1	6312ZZD2C3
21	Impeller	1	Gray Iron Casting	53	Motor Protector	3	
22	Suction Cover	1	Gray Iron Casting	54	Shaft	1	Stainless Steel 420J2
23	Stand	3	Ductile Iron Casting	55	Rotor	1	
25	Mechanical Seal	1	H-50T	56	Stator	1	
26	Oil Seal	1	TC10012513	60	Bearing Housing	1	Gray Iron Casting
30	Oil Lifter	1	Steel Sheet	64	Motor Frame	1	Gray Iron Casting
35	Oil Plug	2	Stainless Steel 304	72	Eye Bolt	2	Stainless Steel
36	Lubricant		Turbine Oil (ISO VG32)				
37	Discharge Bend	1	Gray Iron Casting				

NO. A-16920-1

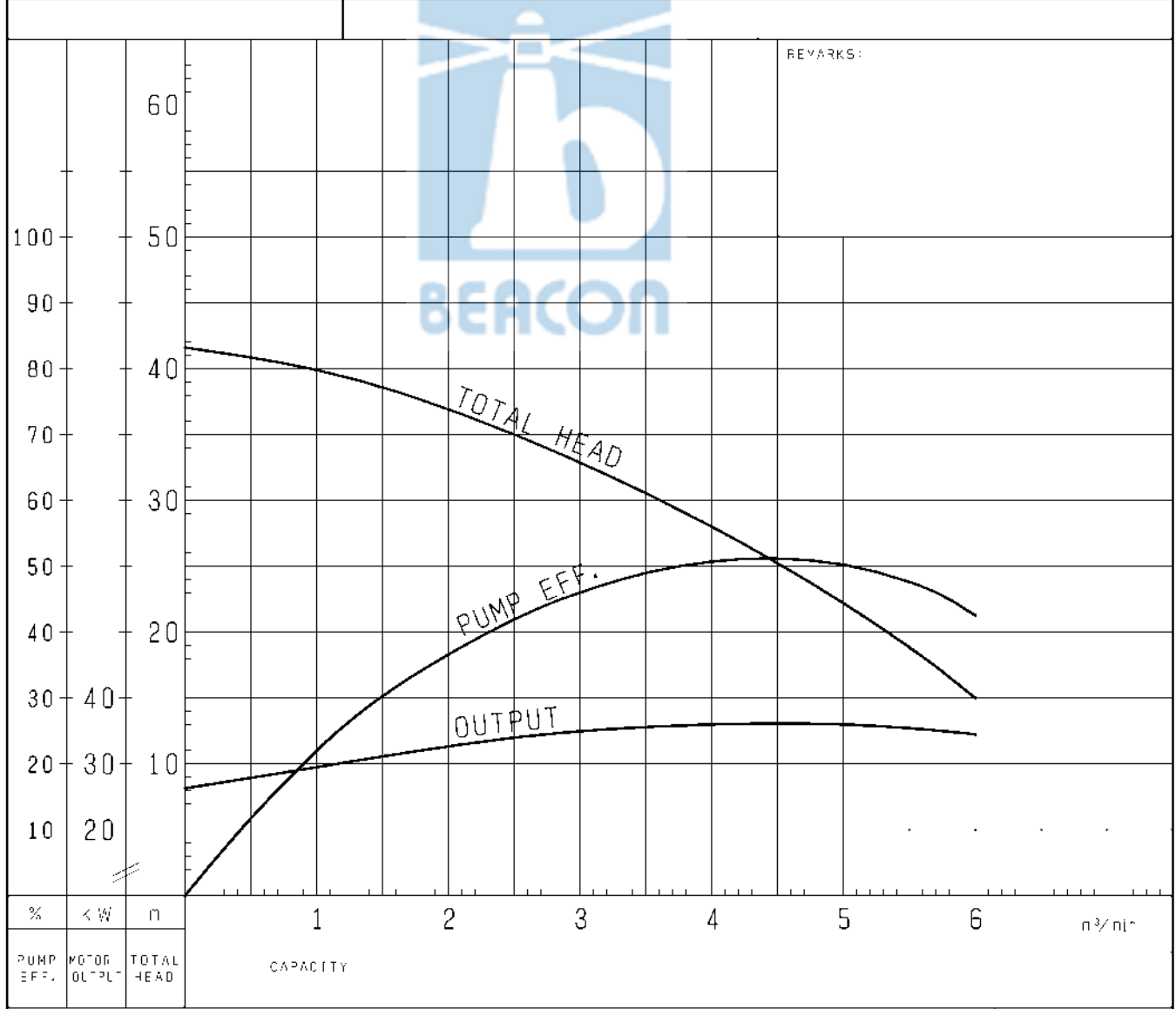
# PUMP PERFORMANCE CURVES

TYPE Sewage Submersible Channel Impeller Pump	MODEL 150B437 -52 T0150B437 -52	FREQUENCY 50 Hz
--	------------------------------------	-----------------

CUSTOMER'S NAME \_\_\_\_\_

EQUIPMENT TITLE \_\_\_\_\_ NO. \_\_\_\_\_

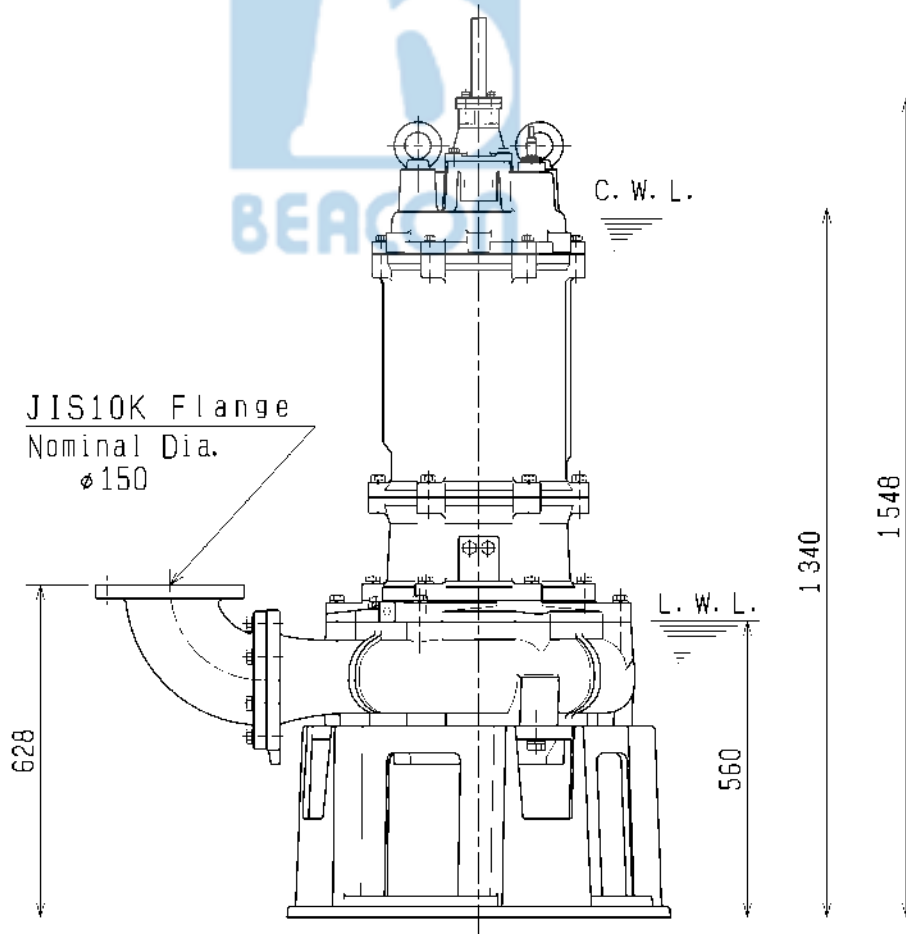
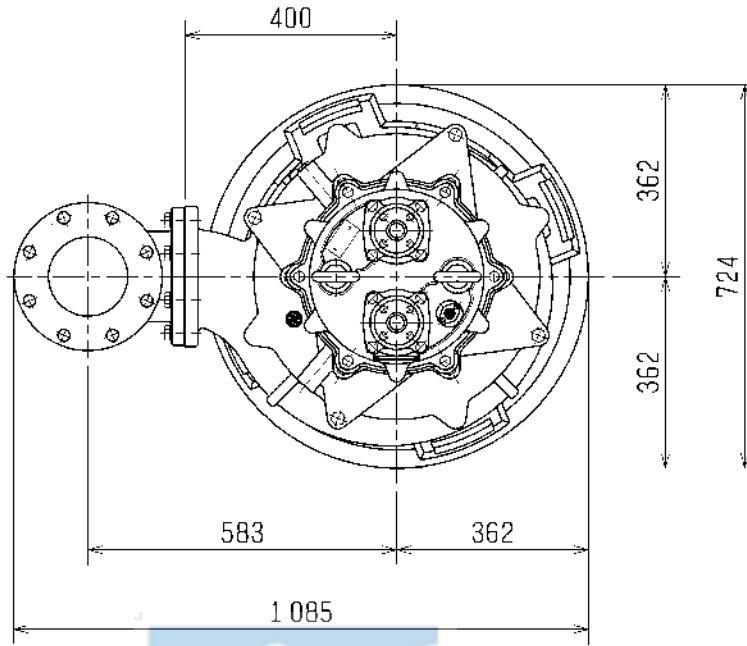
	STANDARD SPECIFICATIONS	REQUIRED SPECIFICATIONS
DISCHARGE BORE	150 mm	mm
TOTAL HEAD	35 m	m
CAPACITY	2.5 m <sup>3</sup> /min	m <sup>3</sup> /min
MOTOR OUTPUT	37 kW	kW
PHASE x VOLTAGE	3 φ x V	φ x V
CURRENT	A	A
POLES / REVOLUTION	4 P / s. s. 1500 min <sup>-1</sup>	P / min <sup>-1</sup>
STARTING METHOD	STAR-DELTA	
INSULATION CLASS	F	



TSURUMI MFG. CO., LTD.

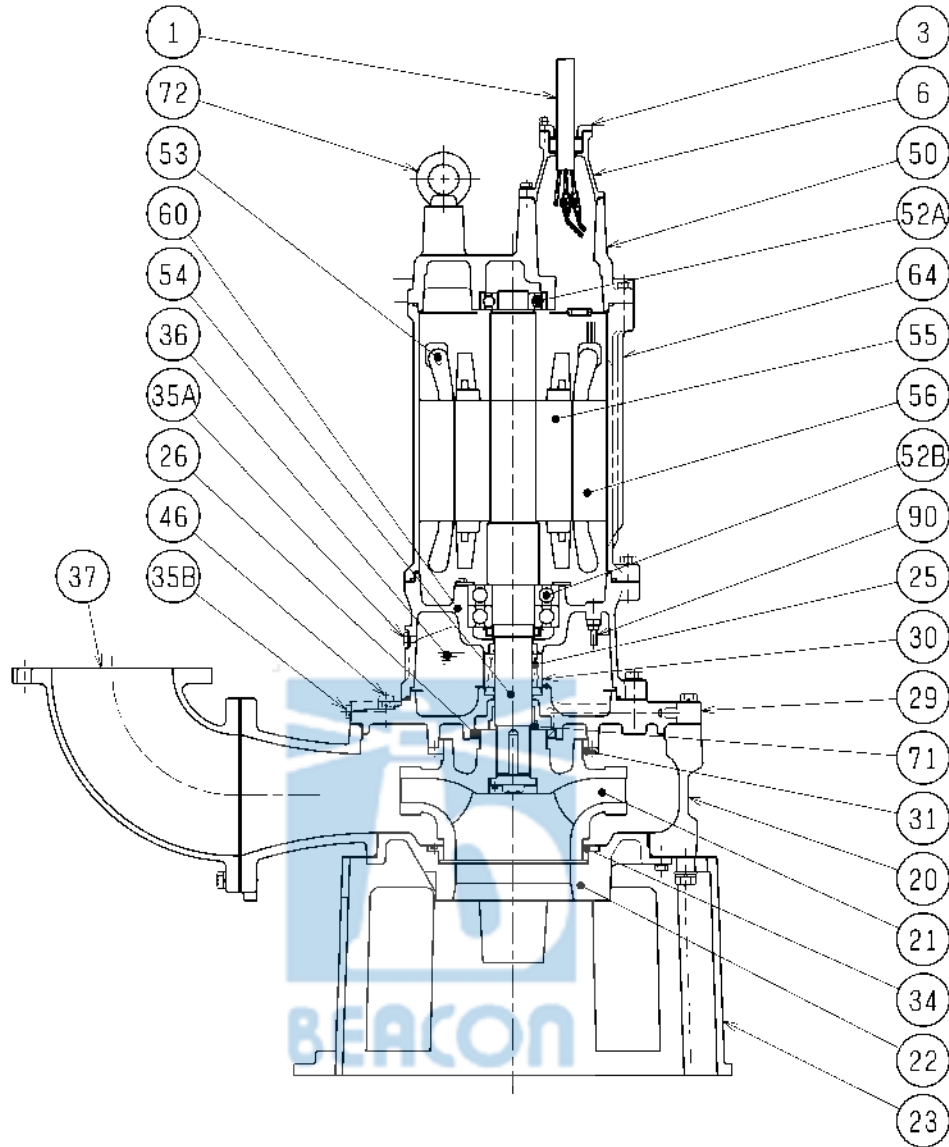
<b>DIMENSION DRAWING</b>		No.	No. A-18962-1
TYPE	Sewage Submersible Channel Impeller Pump	MODEL	150B437 -53/63

Approximate  
Weight(\*)  
640kg  
\*excluding cable



C.W.L. :Continuous Running Water Level  
L.W.L. :Lowest Running Water Level

<b>SECTIONAL DRAWING</b>		No.	No.	A-18973-2
TYPE	Sewage Submersible Channel Impeller Pump	MODEL	150B437 -53/63 200B437 -54/64	



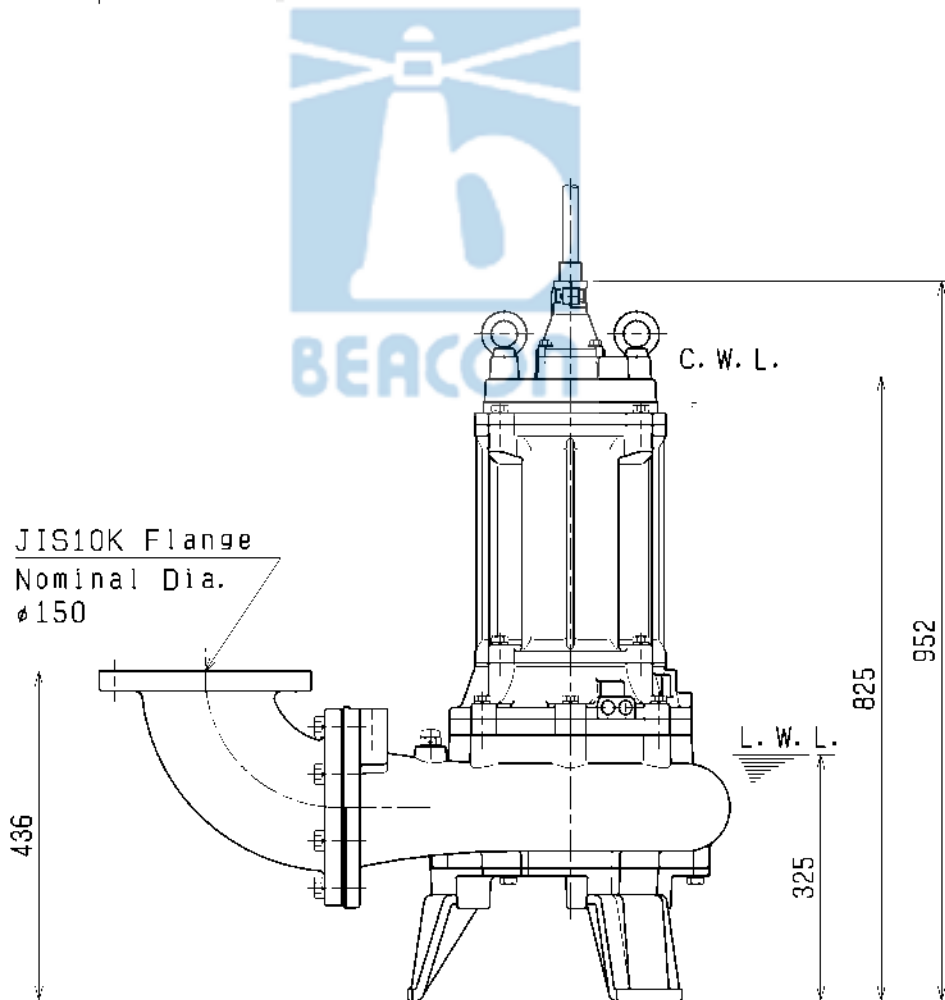
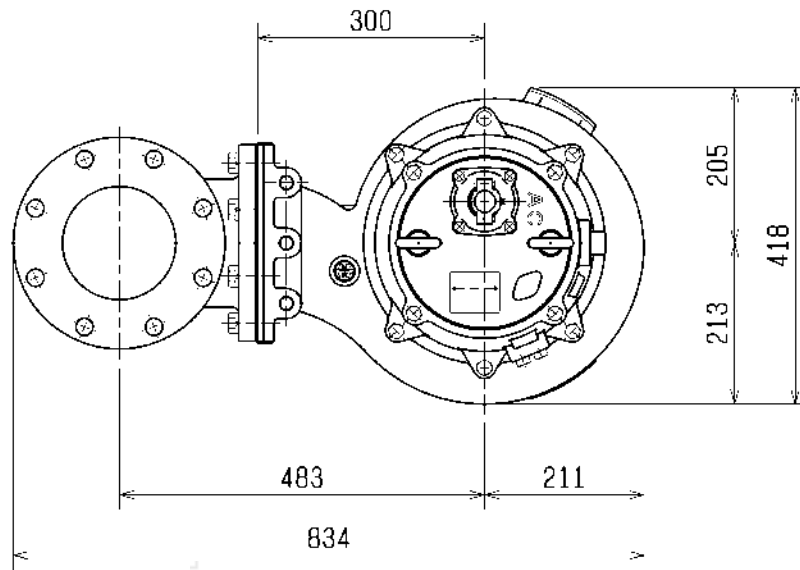
REQ. SPECIFICATION
-----
-----

No.	DESCRIPTION	QTY	MATERIAL / NOTE	No.	DESCRIPTION	QTY	MATERIAL / NOTE
1	Cable	2	Chloroprene Sheath (For the Power)	36	Lubricant	1	Turbine Oil (ISO VG32)
		1	PVC Sheath (For the Control)	37	Discharge Bend	1	Gray Iron Casting
3	Gland	2	Gray Iron Casting	46	Air Release Valve	1	Nylon
6	Stuffing Box	2	Gray Iron Casting	50	Motor Bracket	1	Gray Iron Casting
20	Pump Casing	1	Gray Iron Casting	52A	Upper Bearing	1	6310ZC3
21	Impeller	1	Gray Iron Casting	52B	Lower Bearing	1	6314ZZD2C3
22	Suction Cover	1	Gray Iron Casting	53	Motor Protector	3	
23	Strainer Stand	1	Ductile Iron Casting	54	Shaft	1	Stainless Steel 420J2
25	Mechanical Seal	1	H-60	55	Rotor	1	
26	Oil Seal	1	TC11014014	56	Stator	1	
29	Oil Casing	1	Gray Iron Casting	60	Bearing Housing	1	Gray Iron Casting
30	Oil Lifter	1	Steel Plate	64	Motor Frame	1	Gray Iron Casting
31	Wear Ring	1	Gray Iron Casting	71	Shaft Sleeve	1	Stainless Steel 304
34	Mouth Ring	1	Gray Iron Casting	72	Eye Bolt	2	Structure Steel
35A	Oil Plug	2	Stainless Steel 304	90	Leakage Sensor (Electrode)	1	Stainless Steel
35B	Oil Plug	1	Stainless Steel 304				



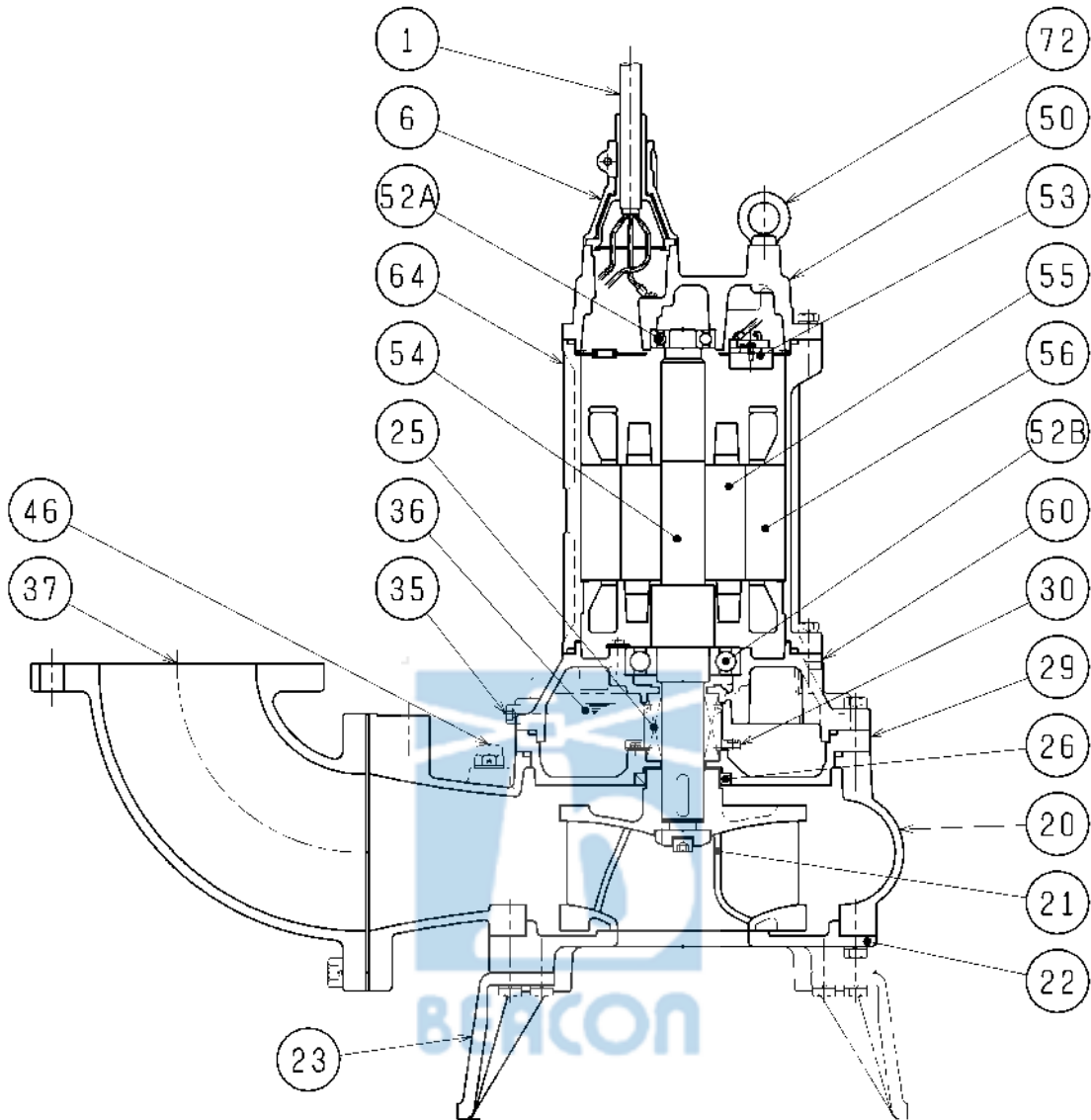
<b>DIMENSION DRAWING</b>		No.	No. A-14009-1
TYPE	Sewage Submersible Channel Impeller Pump	MODEL	150B47.5H -53/63

Approximate Weight (※)  
210kg  
※excluding cable



C.W.L. :Continuous Running Water Level  
L.W.L. :Lowest Running Water Level

<b>SECTIONAL DRAWING</b>		No.	No. A-14016-1
TYPE	Sewage Submersible Channel Impeller Pump	MODEL	150B47.5H -53/63



REQ. SPECIFICATION
-----

No.	DESCRIPTION	QTY	MATERIAL / NOTE	No.	DESCRIPTION	QTY	MATERIAL / NOTE
1	Cable	1	Chloroprene Sheath	46	Air Release Valve	1	Nylon
6	Stuffing Box	1	Gray Iron Casting	50	Motor Bracket	1	Gray Iron Casting
20	Pump Casing	1	Gray Iron Casting	52A	Upper Bearing	1	6306ZZC3
21	Impeller	1	Gray Iron Casting	52B	Lower Bearing	1	6310ZZC3
22	Suction Cover	1	Gray Iron Casting	53	Motor Protector	1	
23	Stand	3	Gray Iron Casting	54	Shaft	1	Stainless Steel 420J2
25	Mechanical Seal	1	H-40	55	Rotor	1	
26	Oil Seal	1	TC709212	56	Stator	1	
29	Oil Casing	1	Gray Iron Casting	60	Bearing Housing	1	Gray Iron Casting
30	Oil Lifter	1	Plastic	64	Motor Frame	1	Gray Iron Casting
35	Oil Plug	2	Stainless Steel 304	72	Eye Bolt	2	Structure Steel
36	Lubricant		Turbine Oil (ISO VG32)				
37	Discharge Bend	1	Gray Iron Casting				

NO. A-18731-1

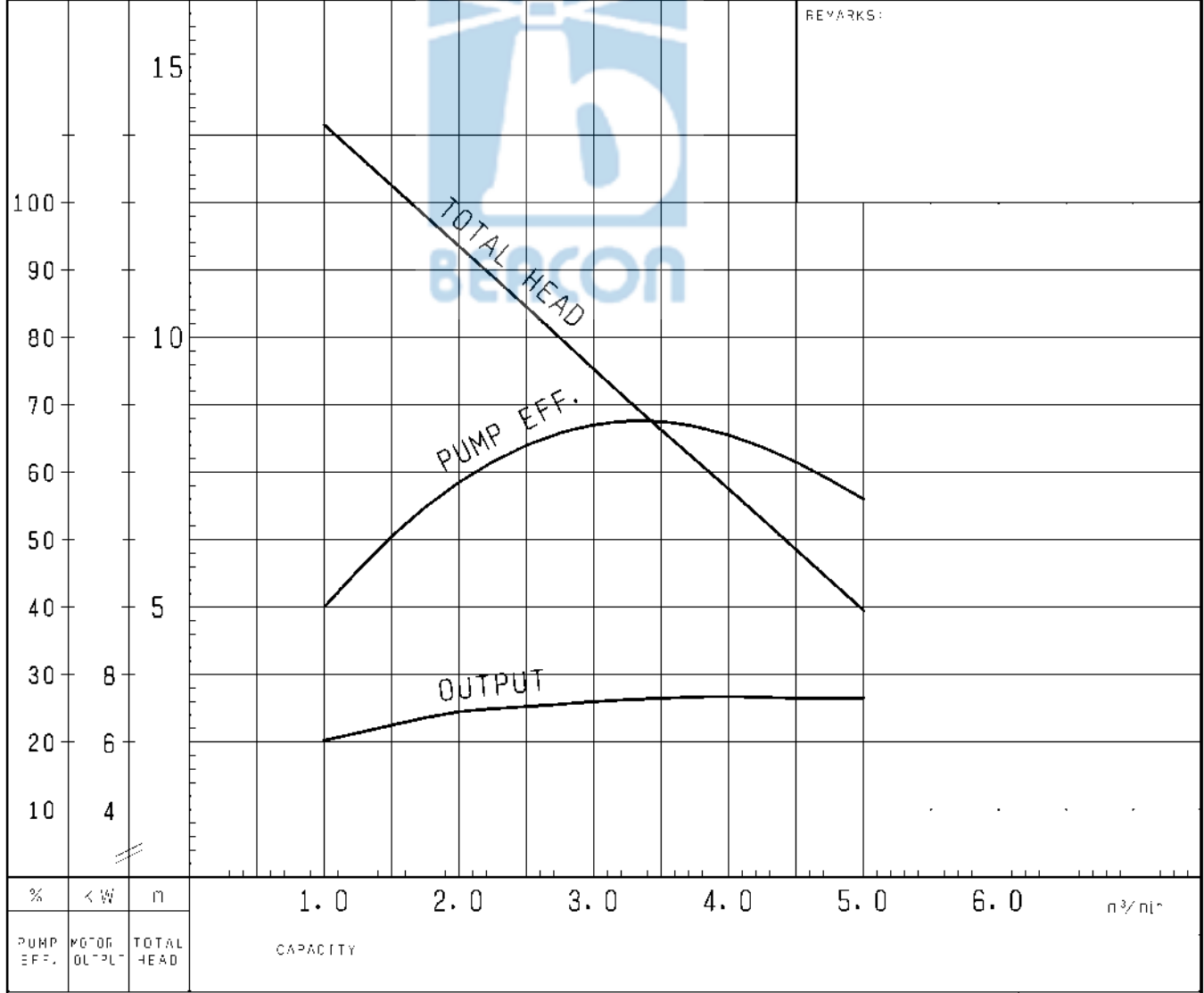
# PUMP PERFORMANCE CURVES

TYPE Sewage Submersible Channel Impeller Pump	MODEL 150B47.5L -54 TOS150B47.5L -54	FREQUENCY 50 Hz
--	---	-----------------

CUSTOMER'S NAME \_\_\_\_\_

EQUIPMENT TITLE \_\_\_\_\_ NO. \_\_\_\_\_

	STANDARD SPECIFICATIONS	REQUIRED SPECIFICATIONS
DISCHARGE BORE	150 mm	mm
TOTAL HEAD	7.2 m	m
CAPACITY	4 m <sup>3</sup> /min	m <sup>3</sup> /min
MOTOR OUTPUT	7.5 kW	kW
PHASE x VOLTAGE	3 φ x V	φ x V
CURRENT	A	A
POLES / REVOLUTION	4 P / s. s. 1500 min <sup>-1</sup>	P / min <sup>-1</sup>
STARTING METHOD	DIRECT ON LINE	
INSULATION CLASS	F	

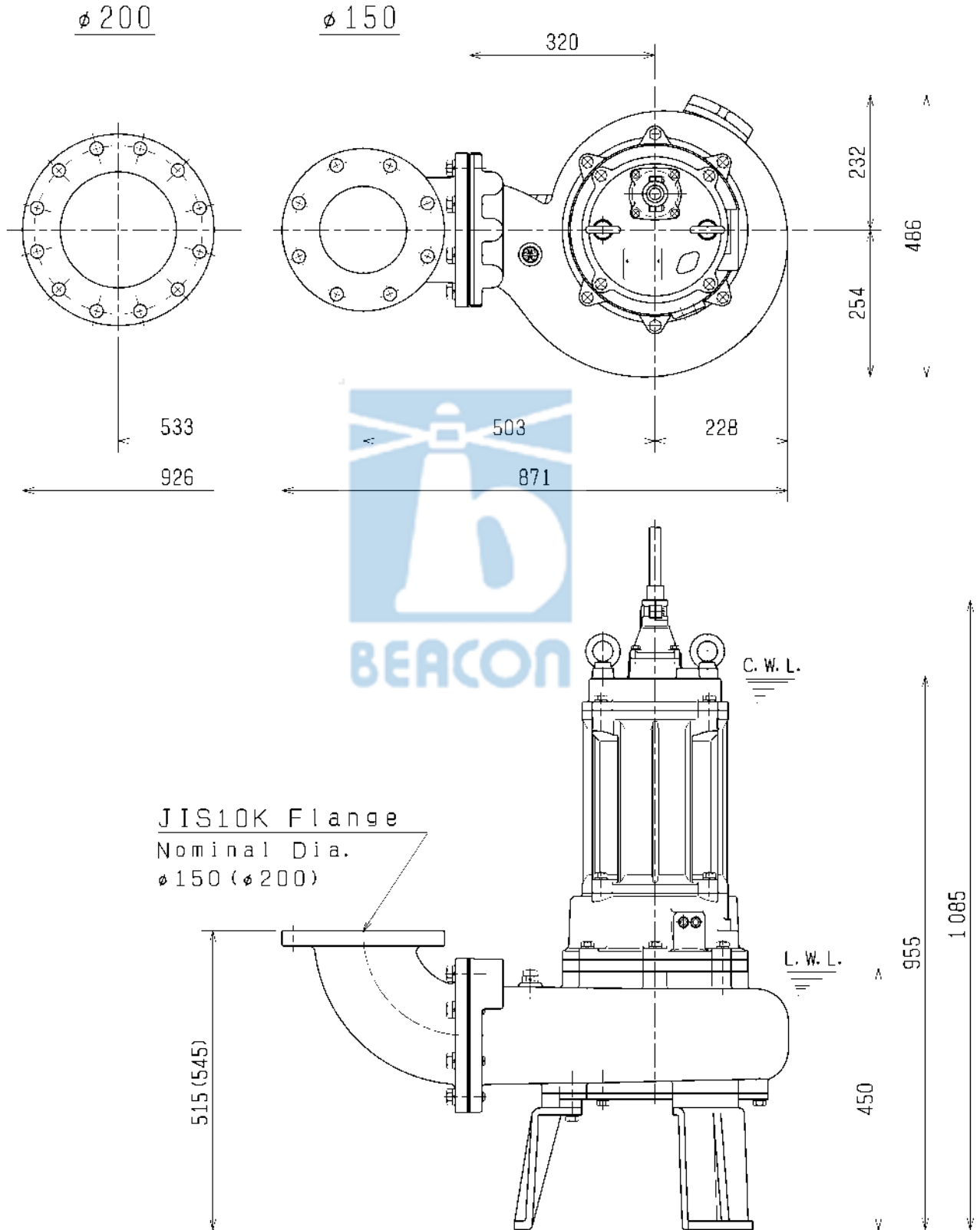


TSURUMI MFG. CO., LTD.

DIMENSION DRAWING		No.	No.	A-18776-1
TYPE	Sewage Submersible Channel Impeller Pump	MODEL	150B47.5L -54/64	
			200B47.5 -54/64	

MODEL	Approximate Weight (kg)
150B47.5L-54/64	200kg
200B47.5 -54/64	207kg

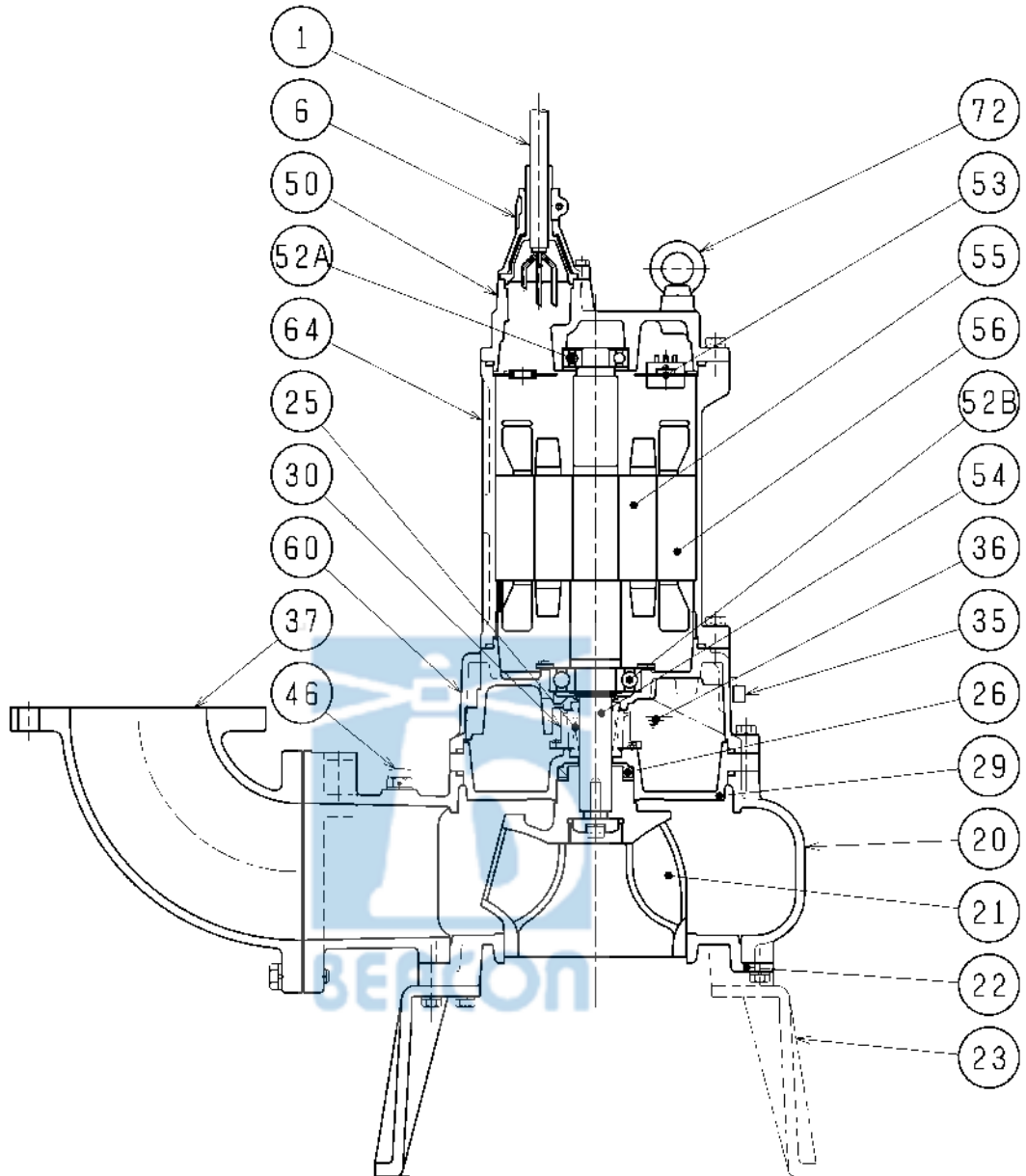
\*excluding cable



The Figure in ( ) shows the dimensions of \*200B47.5\*.

C.W.L. :Continuous running Water Level  
L.W.L. :Lowest running Water Level

SECTIONAL DRAWING		No.	No.
TYPE	Sewage Submersible Channel Impeller Pump	MODEL	150B47.5L -54/64 200B47.5 -54/64


**REQ. SPECIFICATION**

No.	DESCRIPTION	QTY	MATERIAL / NOTE	No.	DESCRIPTION	QTY	MATERIAL / NOTE
1	Cable	1	Chloroprene Sheath	46	Air Release Valve	1	Nylon
6	Stuffing Box	1	Gray Iron Casting	50	Motor Bracket	1	Gray Iron Casting
20	Pump Casing	1	Gray Iron Casting	52A	Upper Bearing	1	6306ZZC3
21	Impeller	1	Gray Iron Casting	52B	Lower Bearing	1	6309ZZC3
22	Suction Cover	1	Gray Iron Casting	53	Motor Protector	1	
23	Stand	3	Ductile Iron Casting	54	Shaft	1	Stainless Steel 420J2
25	Mechanical Seal	1	H-35A	55	Rotor	1	
26	Oil Seal	1	TC608212	56	Stator	1	
29	Oil Casing	1	Gray Iron Casting	60	Bearing Housing	1	Gray Iron Casting
30	Oil Lifter	1	Plastic	64	Motor Frame	1	Gray Iron Casting
35	Oil Plug	2	Stainless Steel 304	72	Eyebolt	2	Structure Steel
36	Lubricant		Turbine Oil (ISO VG32)				
37	Discharge Bend	1	Gray Iron Casting				

NO. A-07532-1

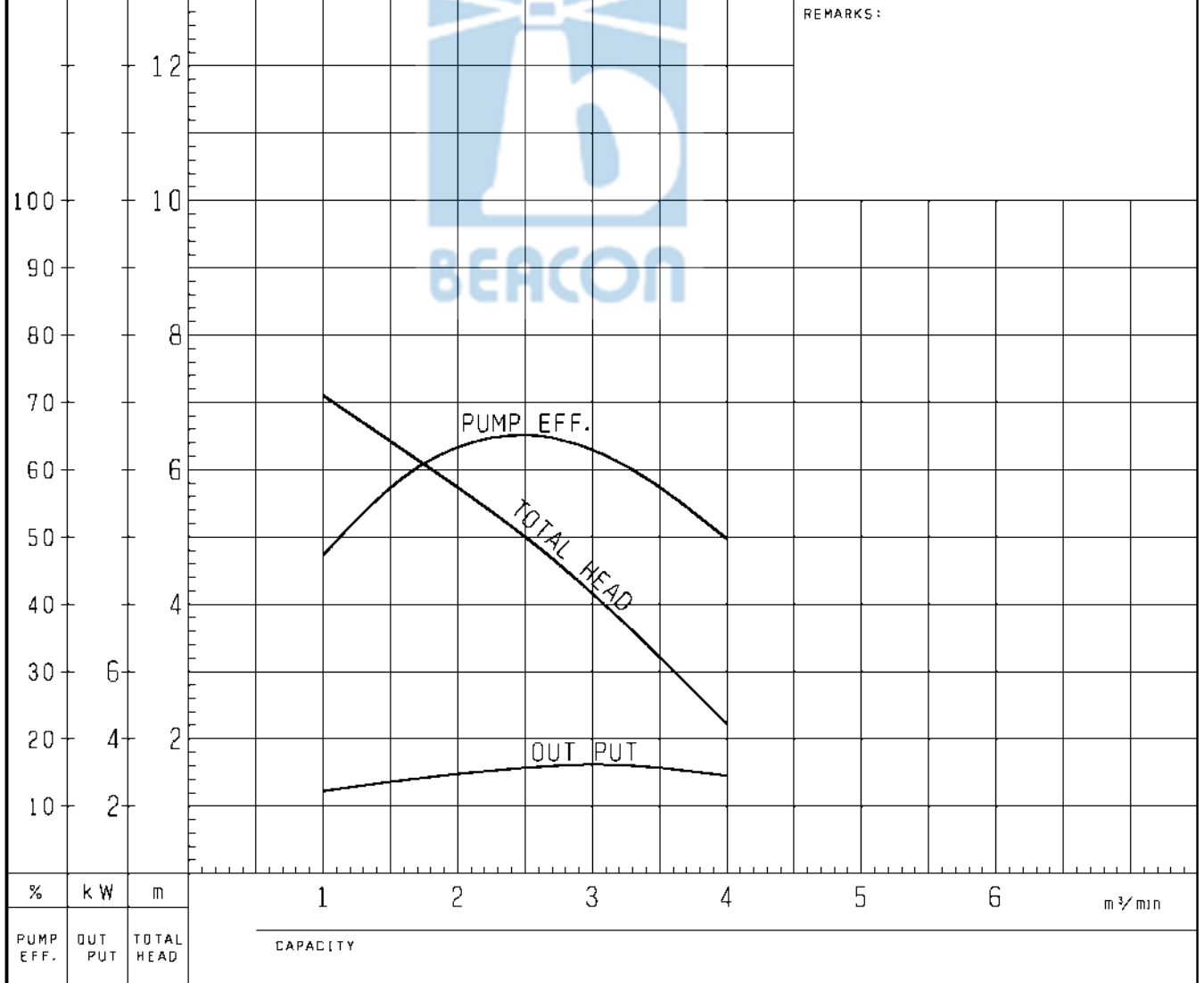
# PUMP PERFORMANCE CURVES

TYPE Sewage Submersible Channel Impeller Pump	MODEL 150B63.7-51 TOS150B63.7-51	FREQUENCY 50 Hz
--	-------------------------------------	-----------------

CUSTOMER'S NAME \_\_\_\_\_

EQUIPMENT TITLE \_\_\_\_\_ NO. \_\_\_\_\_

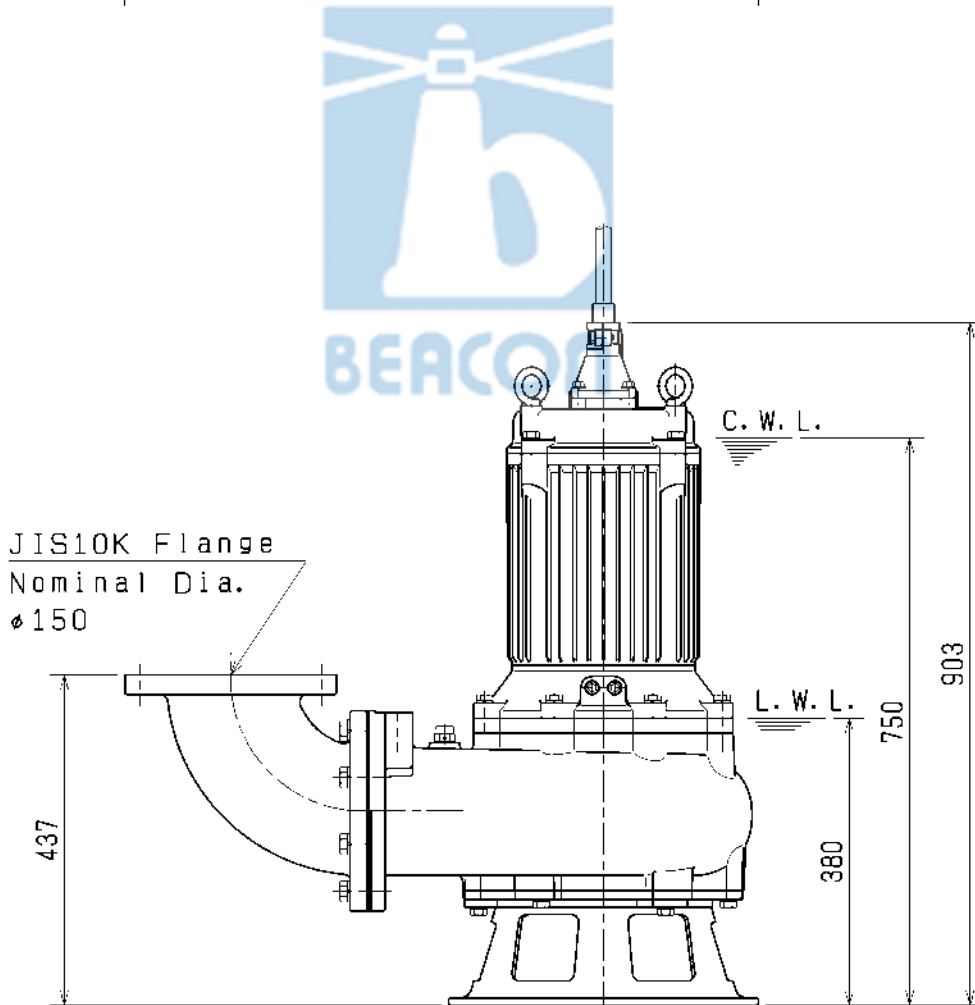
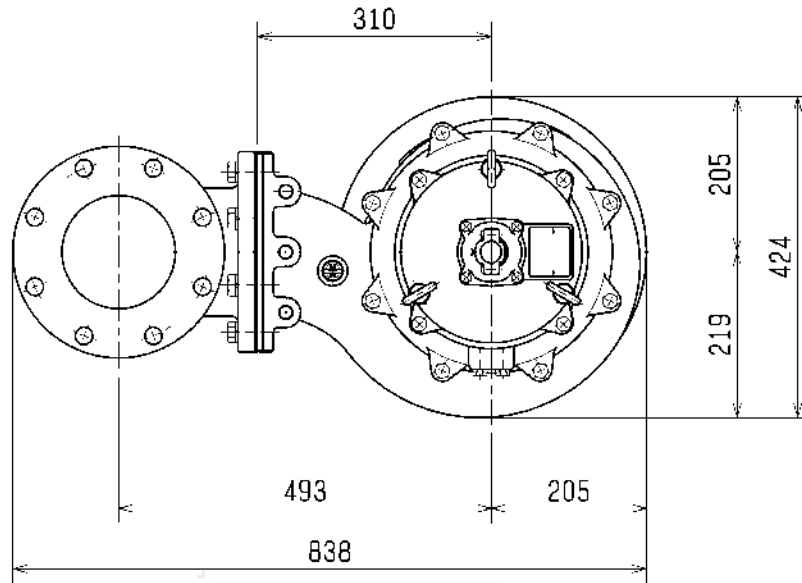
	STANDARD SPECIFICATIONS	REQUIRED SPECIFICATIONS
DISCHARGE BORE	150 mm	mm
TOTAL HEAD	5.0 m	m
CAPACITY	2.5 m <sup>3</sup> /min	m <sup>3</sup> /min
MOTOR OUTPUT	3.7 kW	kW
PHASE x VOLTAGE	3 φ x V	φ x V
CURRENT	A	A
POLES / REVOLUTION	6 P / S. S. 1000 min <sup>-1</sup>	P / min <sup>-1</sup>
STARTING METHOD	DIRECT ON LINE	
INSULATION CLASS	B	



TSURUMI MFG. CO., LTD.

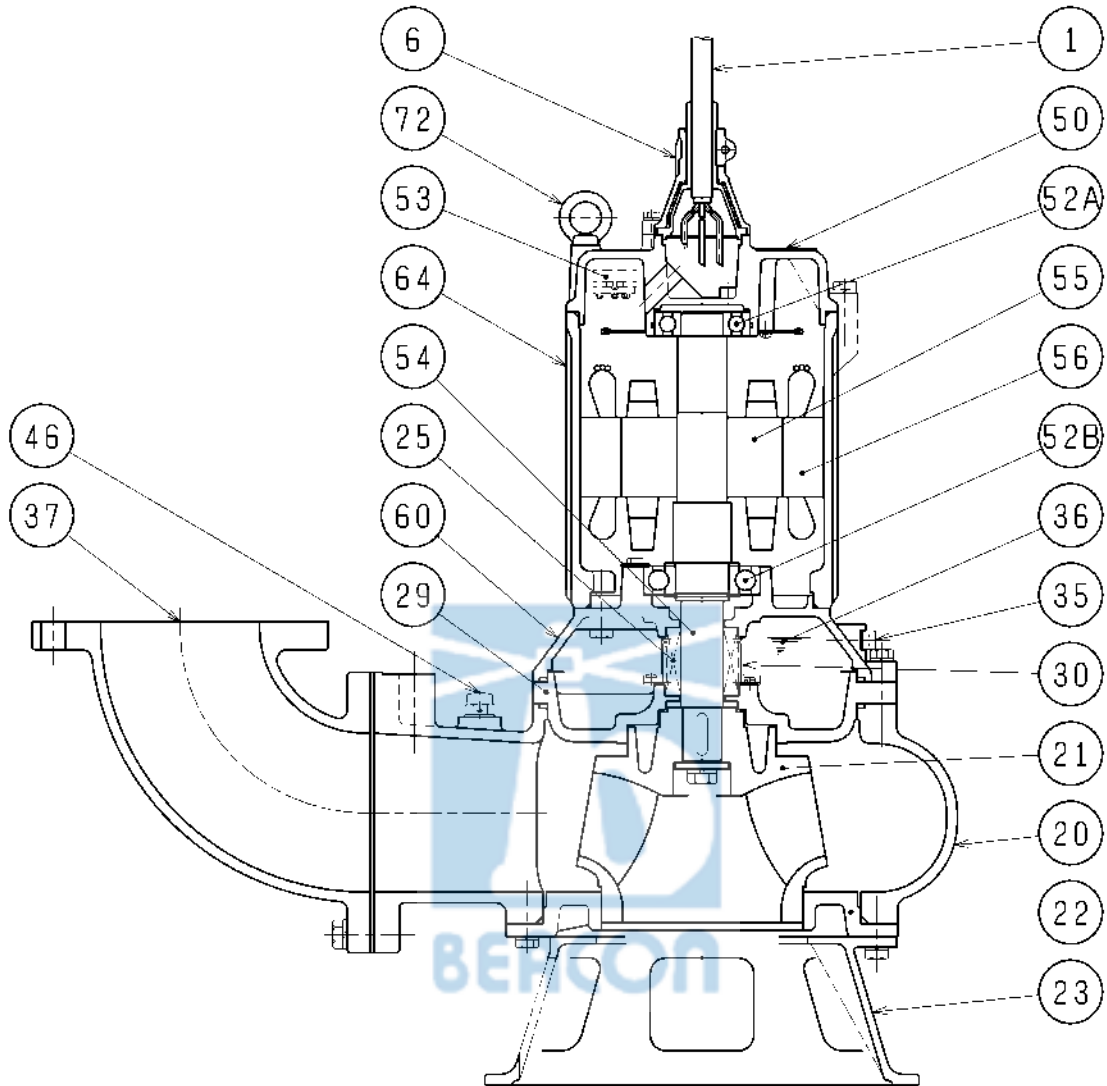
<b>DIMENSION DRAWING</b>		No.	No. A-07615-2
TYPE	Submersible Channel Impeller Sewage Pump	MODEL	150B63.7 -51/61

Approximate Weight (※)  
188kg  
※excluding cable



C. W. L. : Continuous Running Water Level  
L. W. L. : Lowest Running Water Level

<b>SECTIONAL DRAWING</b>		No.	No. A-07661-4
TYPE	Sewage Submersible Channel Impeller Pump	MODEL	150B63.7 -51/61



REQ. SPECIFICATION

※ the wetted part

No.	DESCRIPTION	QTY	MATERIAL / NOTE	No.	DESCRIPTION	QTY	MATERIAL / NOTE
1	Cable	1	Chloroprene Sheath	46	Air Release Valve	1	Nylon
6	Stuffing Box	1	Gray Iron Casting	50	Motor Bracket	1	Gray Iron Casting
20	Pump Casing	1	Gray Iron Casting	52A	Upper Bearing	1	6308ZZC3
21	Impeller	1	Gray Iron Casting	52B	Lower Bearing	1	6310ZZC3
22	Suction Cover	1	Gray Iron Casting	53	Motor Protector	1	
23	Strainer Stand	1	Malleable Iron Casting	54	Shaft	1	Stainless Steel 420J2(※)
25	Mechanical Seal	1	H-40	55	Rotor	1	
29	Oil Casing	1	Gray Iron Casting	56	Stator	1	
30	Oil Lifter	1	Plastic	60	Bearing Housing	1	Gray Iron Casting
35	Oil Plug	2	Stainless Steel 304	64	Motor Frame	1	Gray Iron Casting
36	Lubricant		Turbine Oil (ISO VG32)	72	Eye Bolt	3	Stainless Steel 304
37	Discharge Bend	1	Gray Iron Casting				