

NO. A-11869-2

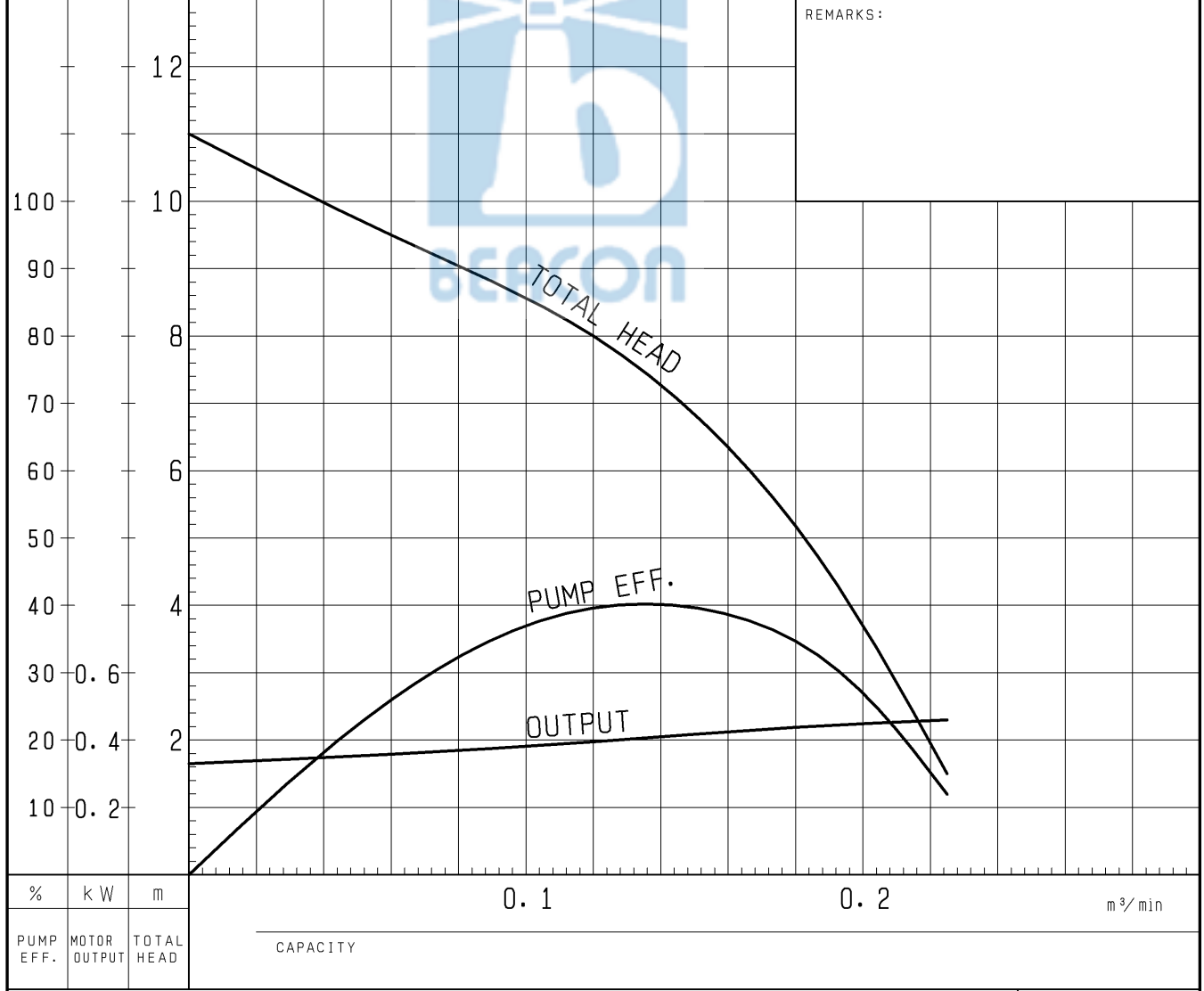
PUMP PERFORMANCE CURVES

TYPE Submersible Portable Dewatering Pump	MODEL LB-480 -52	FREQUENCY 50 Hz
--	------------------	-----------------

CUSTOMER'S NAME _____

EQUIPMENT TITLE _____ NO. _____

	STANDARD SPECIFICATIONS	REQUIRED SPECIFICATIONS
DISCHARGE BORE	50 mm	mm
TOTAL HEAD	8 m	m
CAPACITY	0.12 m ³ /min	m ³ /min
MOTOR OUTPUT	0.48 kW	kW
PHASE × VOLTAGE	1 φ × V	φ × V
CURRENT	A	A
POLES / REVOLUTION	2 P / S. S. 3000 min ⁻¹	P / min ⁻¹
STARTING METHOD	CAPACITOR MOTOR	
INSULATION CLASS	E	

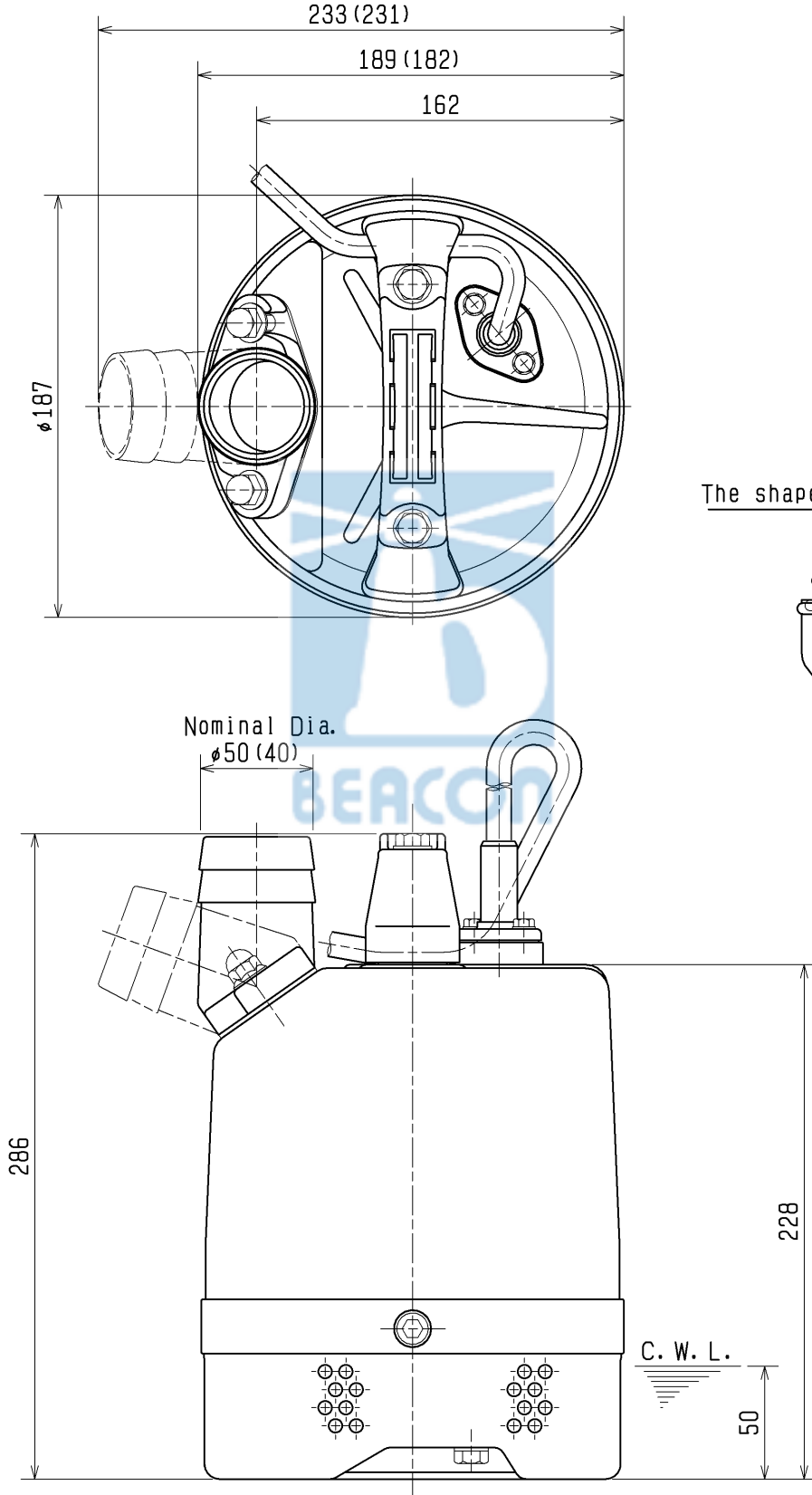


TSURUMI MFG. CO., LTD.

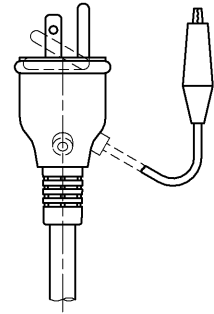
DIMENSION DRAWING		No.	No.	A-11883-4
TYPE	Submersible Portable Dewatering Pump	MODEL	LB-250 -52/62 LB-480 -52/62	

MODEL	Approximate Weight (kg)
LB-250-52/62	10.4kg
LB-480-52/62	10.4kg

*excluding cable

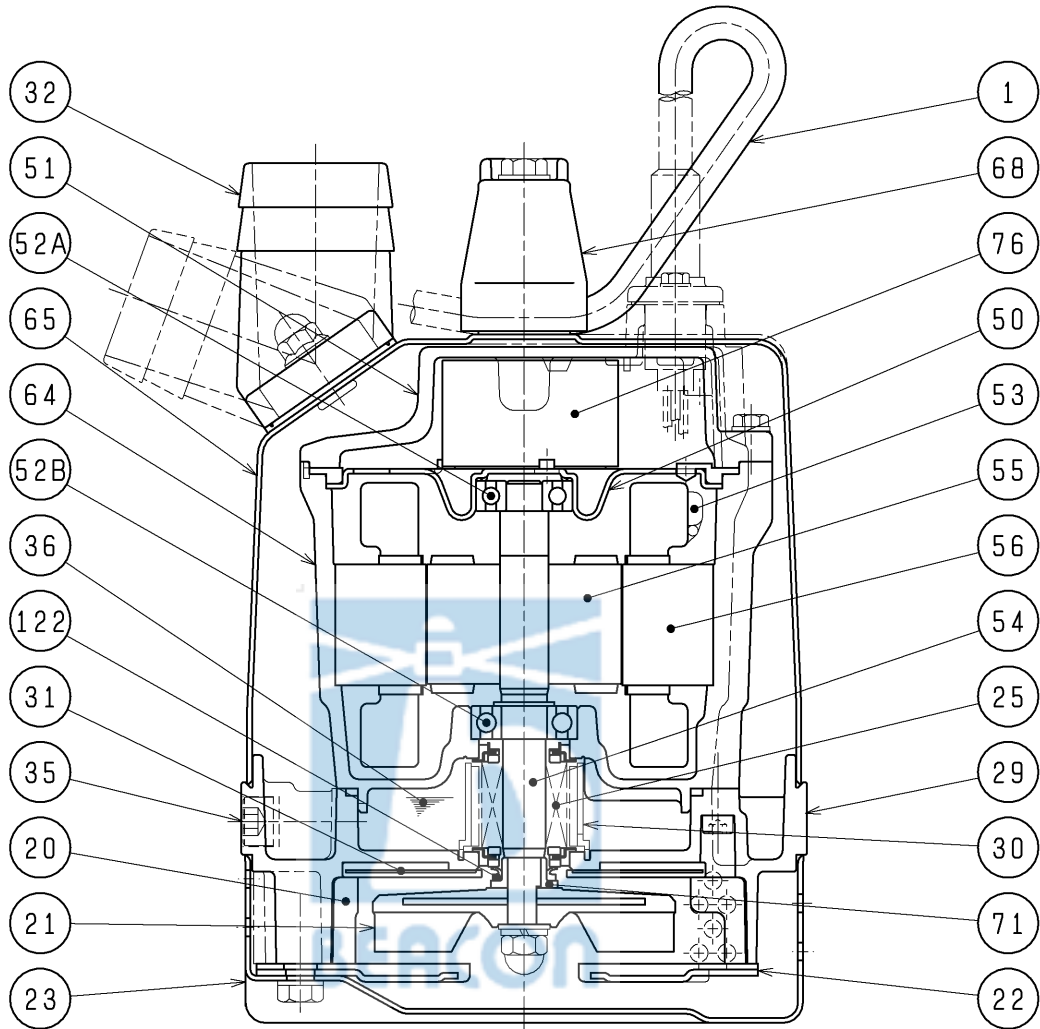


The shape of the plug



The Figure in () shows the dimensions of LB-250. C.W.L. :Continuous running Water Level

SECTIONAL DRAWING		No.	No.	A-11888-5
TYPE	Submersible Portable Dewatering Pump	MODEL	LB-250 -52/62 LB-480 -52/62	



REQ. SPECIFICATION

No.	DESCRIPTION	Q'TY	MATERIAL / NOTE	No.	DESCRIPTION	Q'TY	MATERIAL / NOTE
1	Cabtyre Cable	1	PVC Sheath	52A	Upper Bearing	1	6201ZC3
20	Pump Casing	1	Ethylene Propylene Rubber	52B	Lower Bearing	1	6202ZC3
21	Impeller	1	Urethane Rubber	53	Motor Protector	1	
22	Suction Cover	1	Steel Plate + Urethane Rubber	54	Shaft	1	Stainless Steel 403
23	Strainer Stand	1	Steel Sheet	55	Rotor	1	
25	Mechanical Seal	1	W-14VC	56	Stator	1	
29	Oil Casing	1	Aluminium Die Casting	64	Motor Frame	1	Aluminium Die Casting
30	Oil Lifter	1	Plastic	65	Outer Cover	1	Steel Sheet
31	Wearing Plate	1	Urethane Rubber	68	Handle	1	Plastic
32	Hose Coupling	1	Aluminium Die Casting	71	Shaft Sleeve	1	Stainless Steel 304
35	Oil Plug	1	Stainless Steel 304	76	Capacitor	1	
36	Lubricant		Turbine Oil (ISO VG32)	122	V-ring	1	Nitrile Butadiene Rubber
50	Motor Bracket	1	Steel Sheet				
51	Motor Head Cover	1	Aluminium Die Casting				

NO. A-21590-2

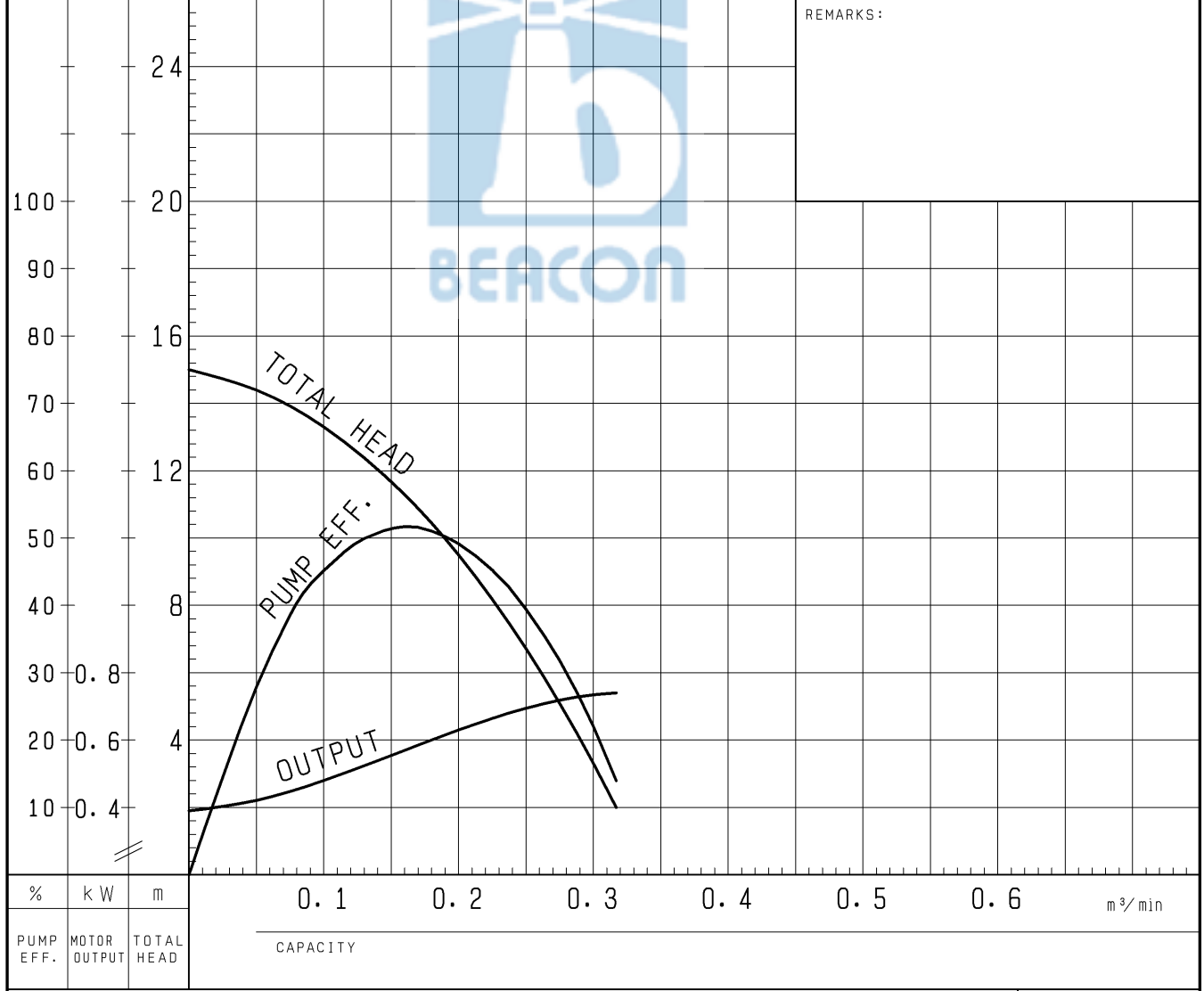
PUMP PERFORMANCE CURVES

TYPE Submersible Portable Dewatering Pump	MODEL LB(Z)-800 -52	FREQUENCY 50 Hz
--	---------------------	-----------------

CUSTOMER'S NAME _____

EQUIPMENT TITLE _____ NO. _____

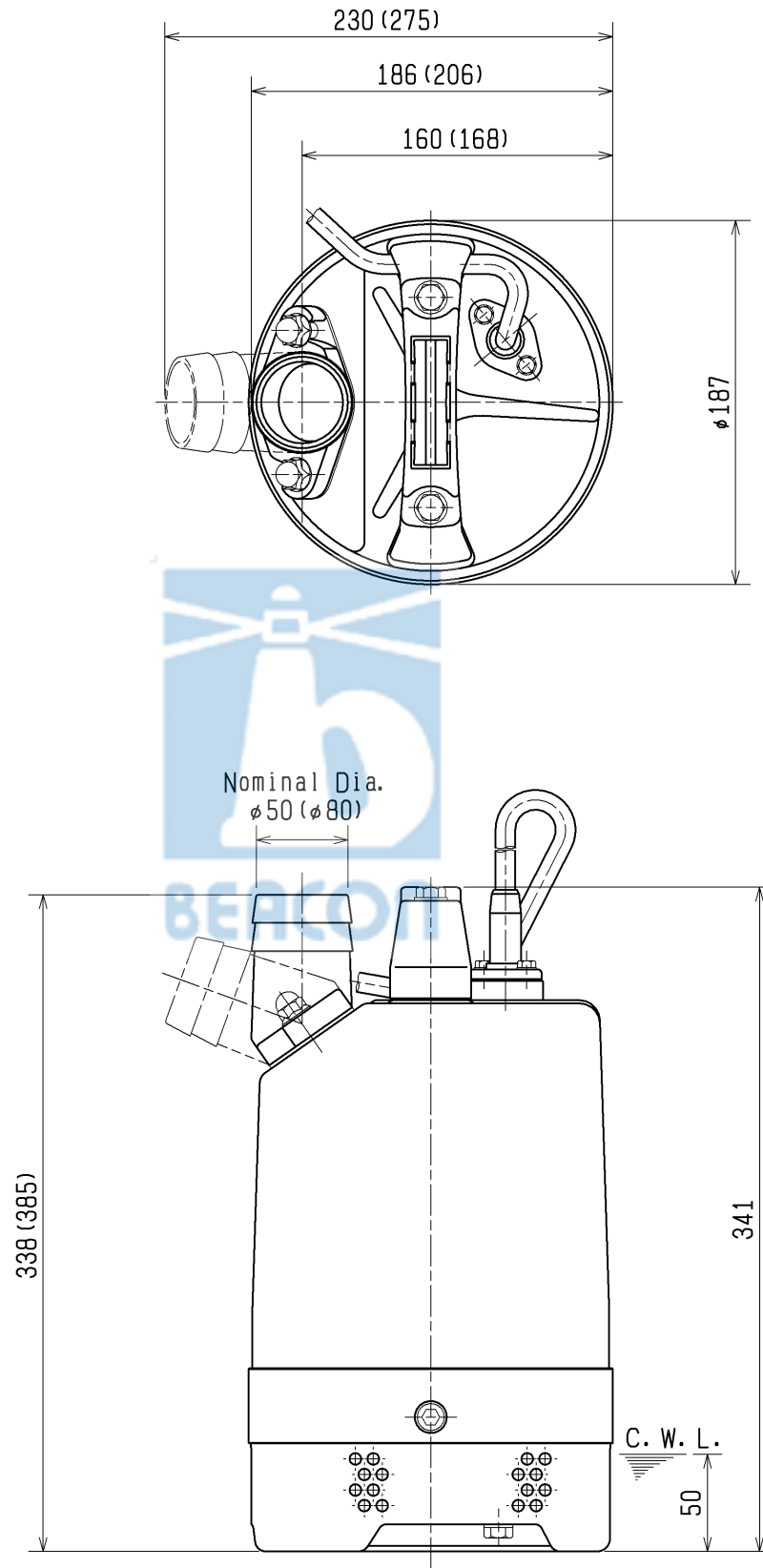
	STANDARD SPECIFICATIONS	REQUIRED SPECIFICATIONS
DISCHARGE BORE	50/80 mm	mm
TOTAL HEAD	MAX. 15 m	m
CAPACITY	MAX. 0.31 m ³ /min	m ³ /min
MOTOR OUTPUT	0.75 kW	kW
PHASE x VOLTAGE	1 ϕ x V	ϕ x V
CURRENT	A	A
POLES / REVOLUTION	2 P / S. S. 3000 min ⁻¹	P / min ⁻¹
STARTING METHOD	CAPACITOR MOTOR	
INSULATION CLASS	E	



TSURUMI MFG. CO., LTD.

DIMENSION DRAWING		No.	No. A-21594-2
TYPE	Submersible Portable Dewatering Pump	MODEL	LB-800 -52/62

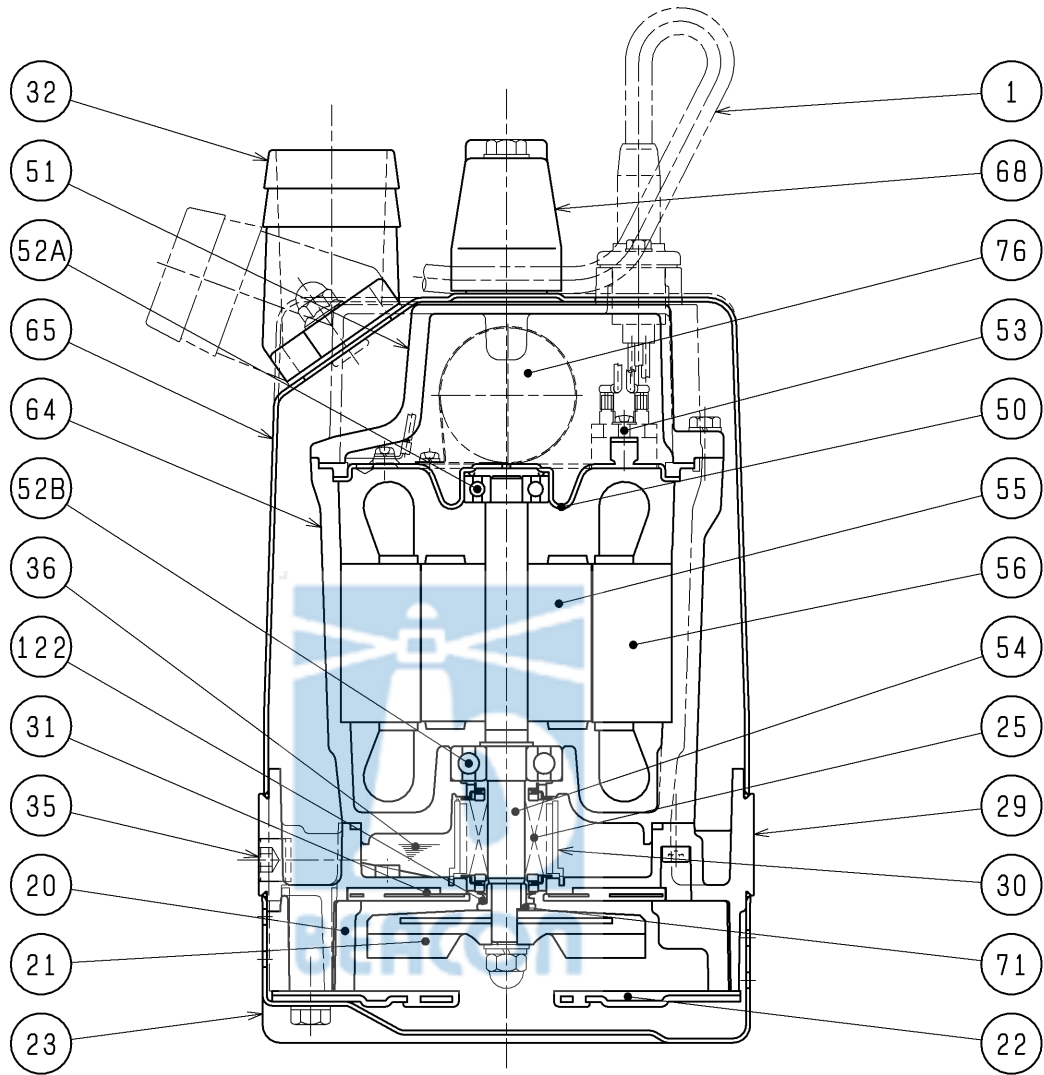
Approximate Weight (※)
13.1kg
(13.3kg)
※excluding cable



The Figure in () shows the dimensions of discharge Bore at Nominal $\phi 80$.

C.W.L. :Continuous running Water Level

SECTIONAL DRAWING		No.	No. A-21597-2
TYPE	Submersible Portable Dewatering Pump	MODEL	LB-800 -52/62



REQ. SPECIFICATION

No.	DESCRIPTION	Q'TY	MATERIAL / NOTE	No.	DESCRIPTION	Q'TY	MATERIAL / NOTE
1	Cable	1	PVC Sheath	52A	Upper Bearing	1	6201ZC3
20	Pump Casing	1	Butadiene Rubber + Natural Rubber	52B	Lower Bearing	1	6302ZC3
21	Impeller	1	Urethane Rubber	53	Motor Protector	1	
22	Suction Cover	1	Steel Sheet + Urethane Rubber	54	Shaft	1	Stainless Steel 403
23	Strainer Stand	1	Steel Sheet	55	Rotor	1	
25	Mechanical Seal	1	W-14VC	56	Stator	1	
29	Oil Casing	1	Aluminium Die Casting	64	Motor Frame	1	Aluminium Die Casting
30	Oil Lifter	1	Plastic	65	Outer Cover	1	Steel Sheet
31	Wearing Plate	1	Urethane Rubber	68	Handle	1	Plastic
32	Hose Coupling	1	Aluminium Die Casting	71	Shaft Sleeve	1	Stainless Steel 304
35	Oil Plug	1	Stainless Steel 304	76	Capacitor	1	
36	Lubricant		Turbine Oil (ISO VG32)	122	V-ring	1	Nitrile Butadiene Rubber
50	Motor Bracket	1	Steel Sheet				
51	Motor Head Cover	1	Aluminium Die Casting				

NO. A-16074-3

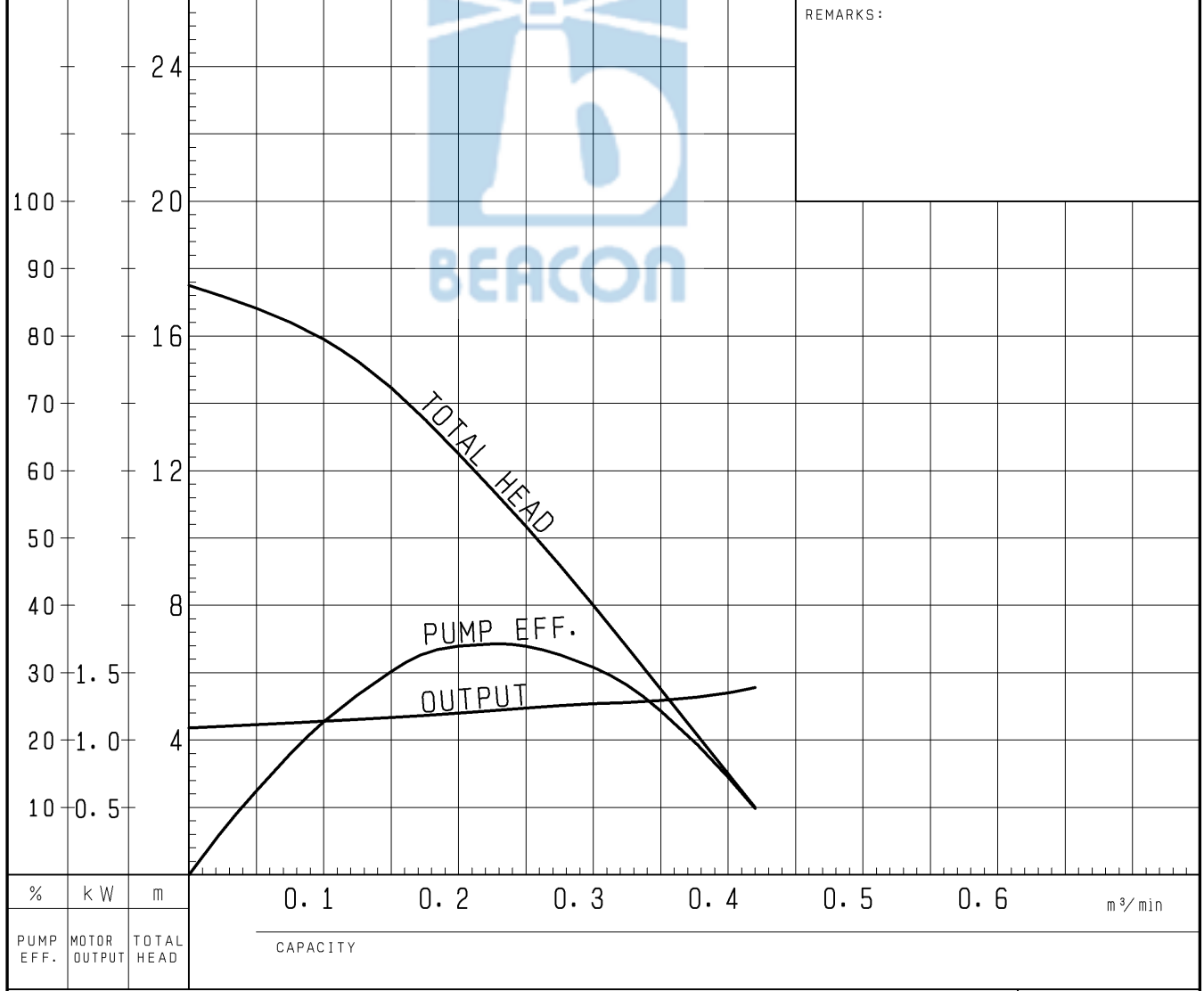
PUMP PERFORMANCE CURVES

TYPE Submersible Portable Dewatering Pump	MODEL LB-1500 -50	FREQUENCY 50 Hz
--	-------------------	-----------------

CUSTOMER'S NAME _____

EQUIPMENT TITLE _____ NO. _____

	STANDARD SPECIFICATIONS	REQUIRED SPECIFICATIONS
DISCHARGE BORE	50/80 mm	mm
TOTAL HEAD	MAX. 17.5 m	m
CAPACITY	MAX. 0.42 m ³ /min	m ³ /min
MOTOR OUTPUT	1.5 kW	kW
PHASE x VOLTAGE	1 ϕ x V	ϕ x V
CURRENT	A	A
POLES / REVOLUTION	2 P / S. S. 3000 min ⁻¹	P / min ⁻¹
STARTING METHOD	CAPACITOR START	
INSULATION CLASS	B	

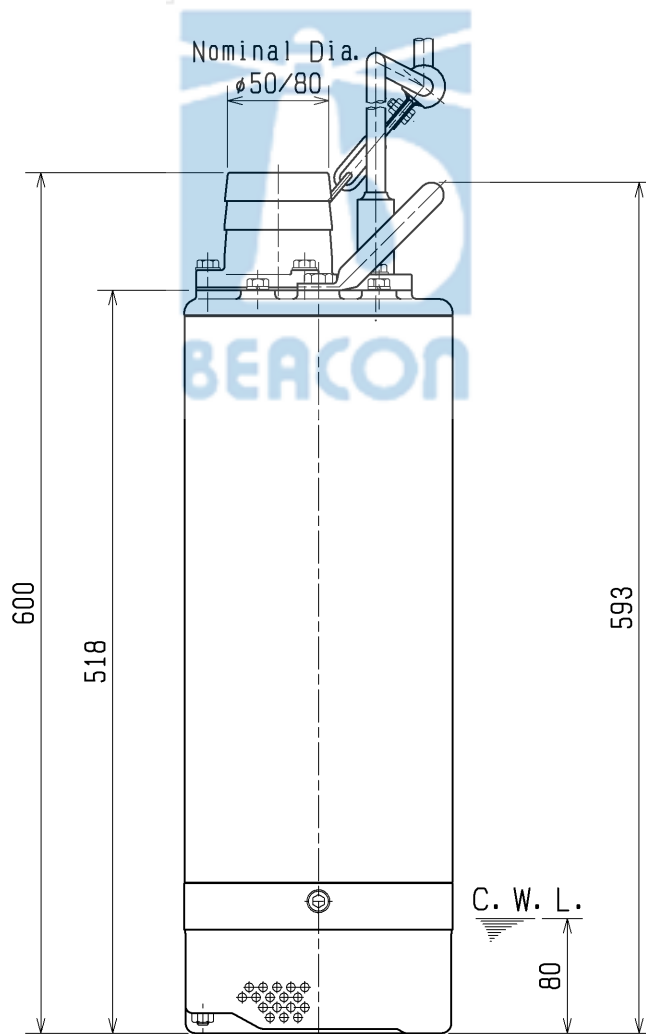
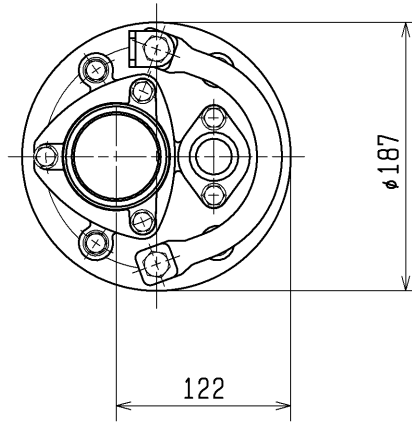


TSURUMI MFG. CO., LTD.

DIMENSION DRAWING		No.	No.	A-16076-3
TYPE	Submersible Portable Dewatering Pump	MODEL	LB-1500 -50/60 LBT-1500 -50/60	

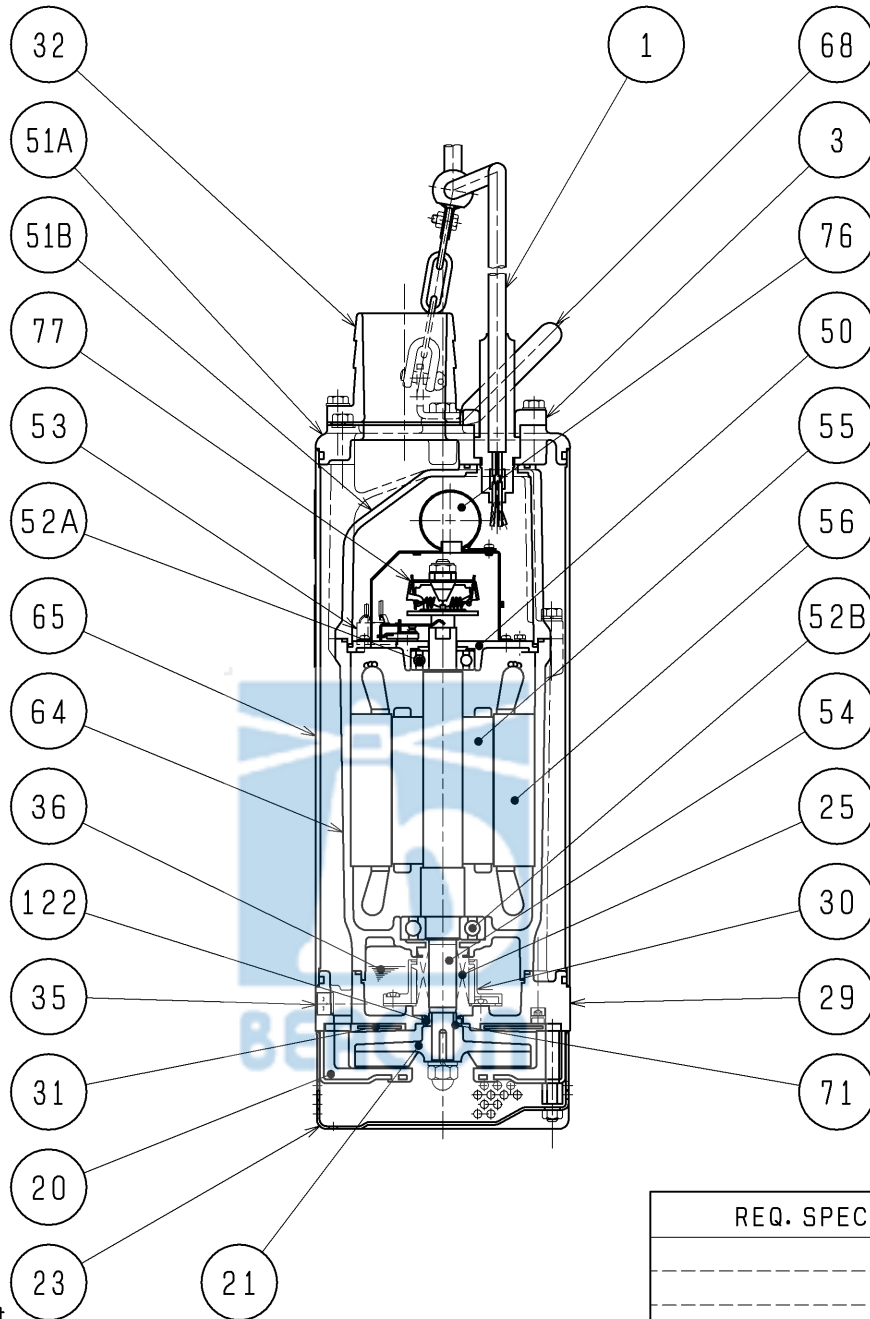
MODEL	Approximate Weight (※)
LB-1500-50/60	33kg
LBT-1500-50/60	32kg

※excluding cable



C.W.L. :Continuous running Water Level

SECTIONAL DRAWING		No.	No. A-16077-4
TYPE	Submersible Portable Dewatering Pump	MODEL	LB-1500 -50/60



REQ. SPECIFICATION	

* the wetted part

No.	DESCRIPTION	QTY	MATERIAL / NOTE	No.	DESCRIPTION	QTY	MATERIAL / NOTE
1	Cabtyre Cable	1	Chloroprene Sheath	52A	Upper Bearing	1	6204ZC3
3	Gland	1	Aluminium Die Casting	52B	Lower Bearing	1	6305ZC3
20	Pump Casing	1	Butadiene Rubber + Natural Rubber	53	Motor Protector	1	
21	Impeller	1	Chromium Iron Casting	54	Shaft	1	Stainless Steel 403(※)
23	Strainer Stand	1	Steel Sheet	55	Rotor	1	
25	Mechanical Seal	1	H-20T	56	Stator	1	
29	Oil Casing	1	Gray Iron Casting	64	Motor Frame	1	Aluminium Die Casting
30	Oil Lifter	1	Plastic	65	Outer Cover	1	Steel Sheet
31	Wearing Plate	1	Butadiene Rubber + Natural Rubber	68	Handle	1	Carbon Steel Pipe
32	Hose Coupling	1	Aluminium Die Casting	71	Shaft Sleeve	1	Stainless Steel 304
35	Oil Plug	1	Stainless Steel 304	76	Capacitor	1	
36	Lubricant		Turbine Oil (ISO VG32)	77	Centrifugal Switch	1	
50	Motor Bracket	1	Aluminium Die Casting	122	V-ring	1	Nitrile Butadiene Rubber
51A	Head Cover	1	Aluminium Die Casting				
51B	Motor Head Cover	1	Aluminium Die Casting				