

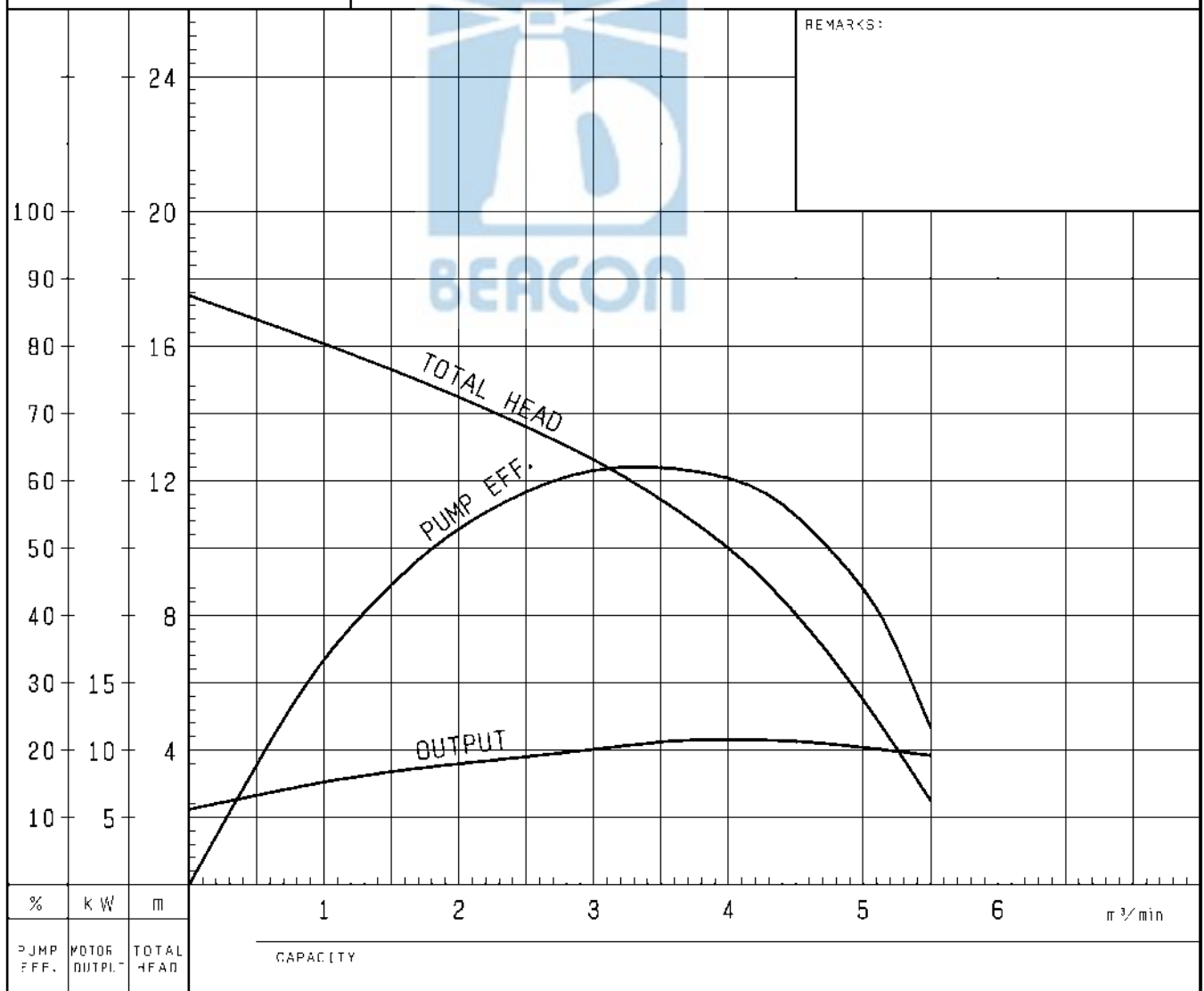
NO. A-22173-1

# PUMP PERFORMANCE CURVES

TYPE **Submersible Dewatering Pump**      MODEL **KRS2-8S**      FREQUENCY **50** Hz

CUSTOMER'S NAME \_\_\_\_\_  
 EQUIPMENT TITLE \_\_\_\_\_ NO. \_\_\_\_\_

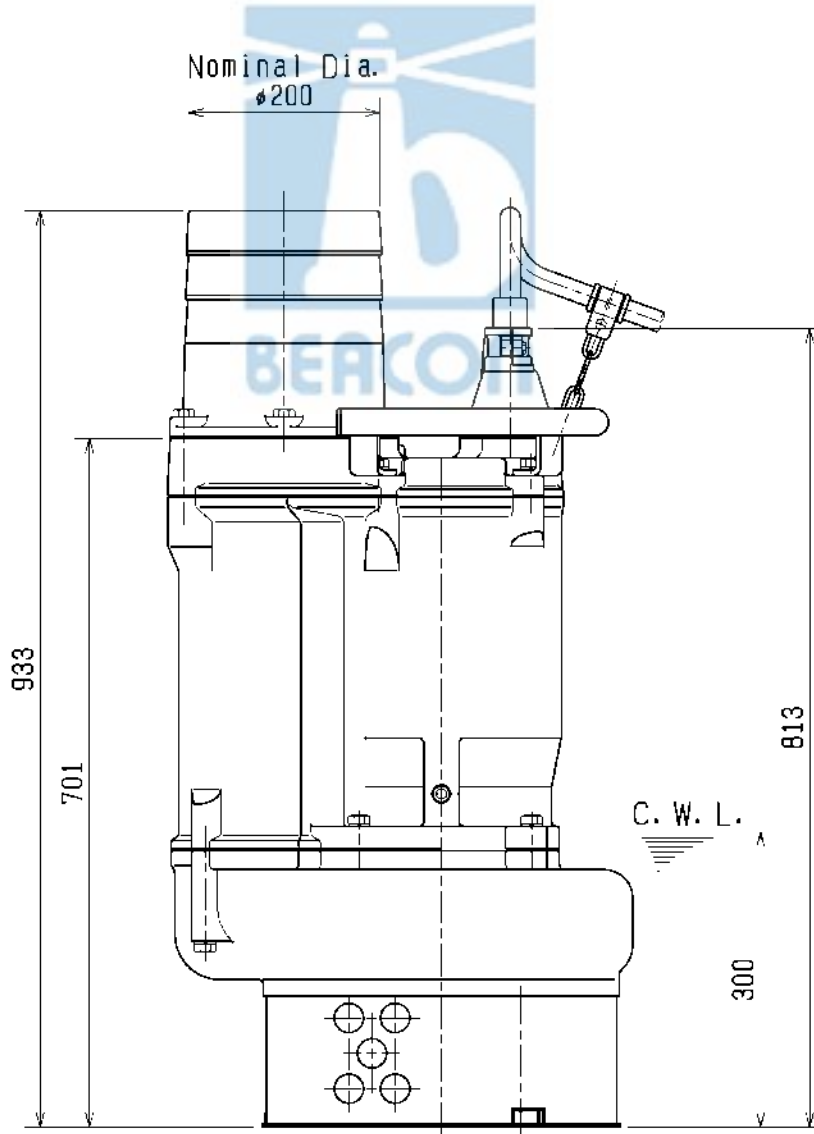
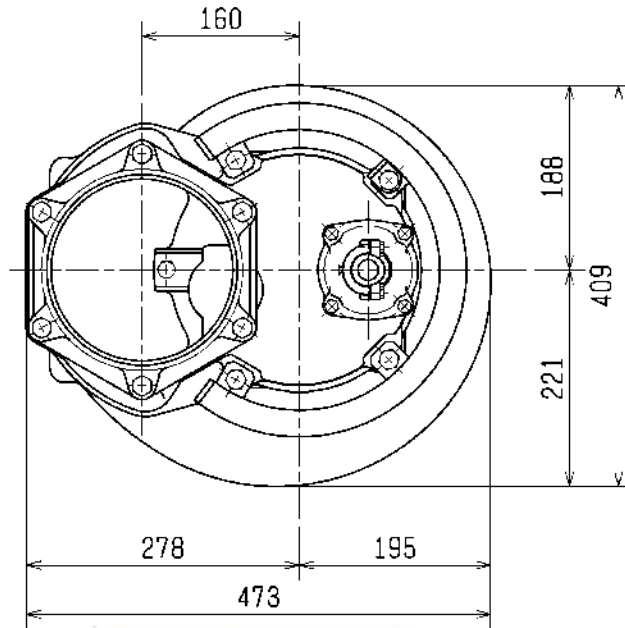
	STANDARD SPECIFICATIONS	REQUIRED SPECIFICATIONS
DISCHARGE BORE	200 mm	mm
TOTAL HEAD	10 m	m
CAPACITY	4.0 m <sup>3</sup> /min	m <sup>3</sup> /min
MOTOR OUTPUT	11 kW	kW
PHASE × VOLTAGE	3 φ × V	φ × V
CURRENT	A	A
POLES / REVOLUTION	4 P / S. S. 1500 min <sup>-1</sup>	P / min <sup>-1</sup>
STARTING METHOD	DIRECT ON LINE	
INSULATION CLASS	B	



**TSURUMI MFG. CO., LTD.**

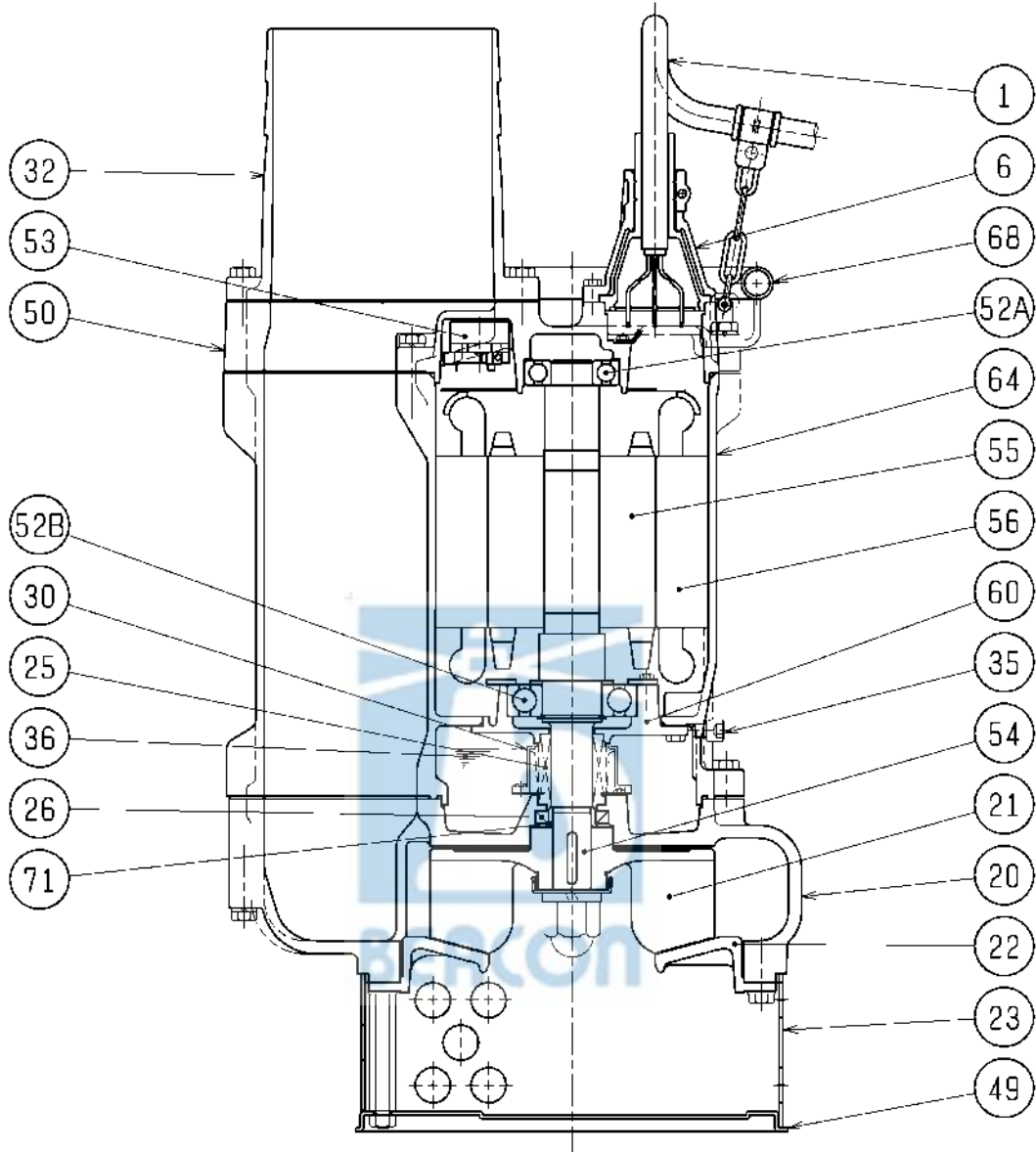
<b>DIMENSION DRAWING</b>		No.	No. A-22184-1
TYPE	Submersible Dewatering Pump	MODEL	KRS2-8S

Approximate Weight (※)  
174kg  
※excluding cable



C. W. L. :Continuous running Water Level

<b>SECTIONAL DRAWING</b>		No.	No. A-22191-1
TYPE	Submersible Dewatering Pump	MODEL	KRS2-8S



REQ. SPECIFICATION

No.	DESCRIPTION	QTY	MATERIAL / NOTE	No.	DESCRIPTION	QTY	MATERIAL / NOTE
1	Cable	1	Chloroprene Sheath	50	Motor Bracket	1	Gray Iron Casting
6	Stuffing Box	1	Gray Iron Casting	52A	Upper Bearing	1	6307ZZC3
20	Pump Casing	1	Gray Iron Casting	52B	Lower Bearing	1	6310ZZC3
21	Impeller	1	Ductile Iron Casting	53	Motor Protector	1	
22	Suction Cover	1	Gray Iron Casting	54	Shaft	1	Stainless Steel 420J2
23	Strainer	1	Steel Sheet	55	Rotor	1	
25	Mechanical Seal	1	H-35	56	Stator	1	
26	Oil Seal	1	TC406211	60	Bearing Housing	1	Gray Iron Casting
30	Oil Lifter	1	Plastic	64	Motor Frame	1	Gray Iron Casting
32	Hose Coupling	1	Gray Iron Casting	68	Handle	1	Carbon Steel Pipe & Steel Sheet
35	Oil Plug	1	Stainless Steel 304	71	Shaft Sleeve	1	Stainless Steel 403
36	Lubricant		Turbine Oil (ISO VG32)				
49	Bottom Plate	1	Steel Sheet				

NO. A-22161-1

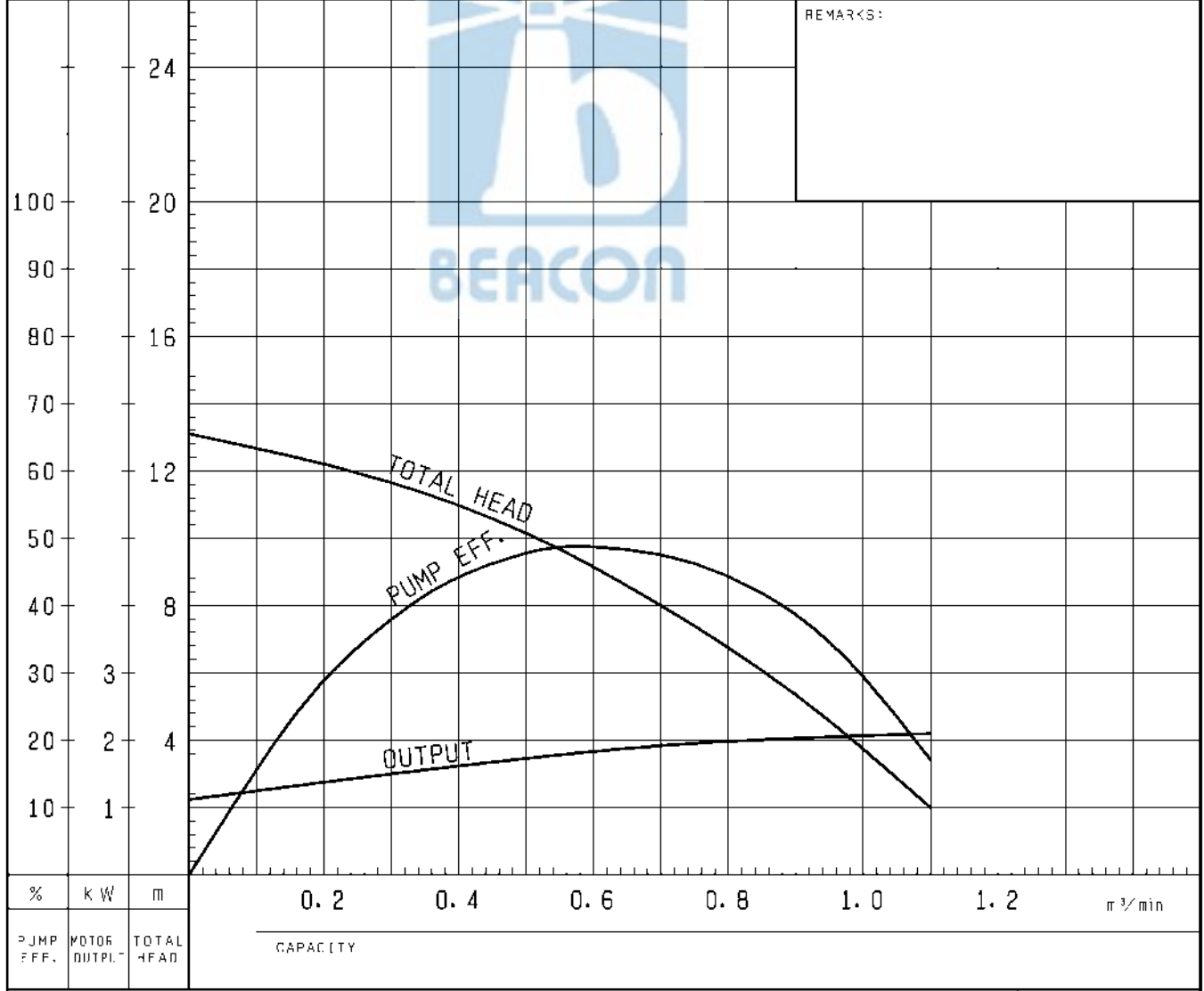
# PUMP PERFORMANCE CURVES

TYPE Submersible Dewatering Pump	MODEL KRS2-C3	FREQUENCY 50 Hz
-------------------------------------	------------------	--------------------

CUSTOMER'S NAME \_\_\_\_\_

EQUIPMENT TITLE \_\_\_\_\_ NO. \_\_\_\_\_

	STANDARD SPECIFICATIONS	REQUIRED SPECIFICATIONS
DISCHARGE BORE	80 mm	mm
TOTAL HEAD	10 m	m
CAPACITY	0.5 m <sup>3</sup> /min	m <sup>3</sup> /min
MOTOR OUTPUT	2.2 kW	kW
PHASE × VOLTAGE	3 φ × V	φ × V
CURRENT	A	A
POLES / REVOLUTION	4 P / S. S. 1500 min <sup>-1</sup>	P / min <sup>-1</sup>
STARTING METHOD	DIRECT ON LINE	
INSULATION CLASS	E	

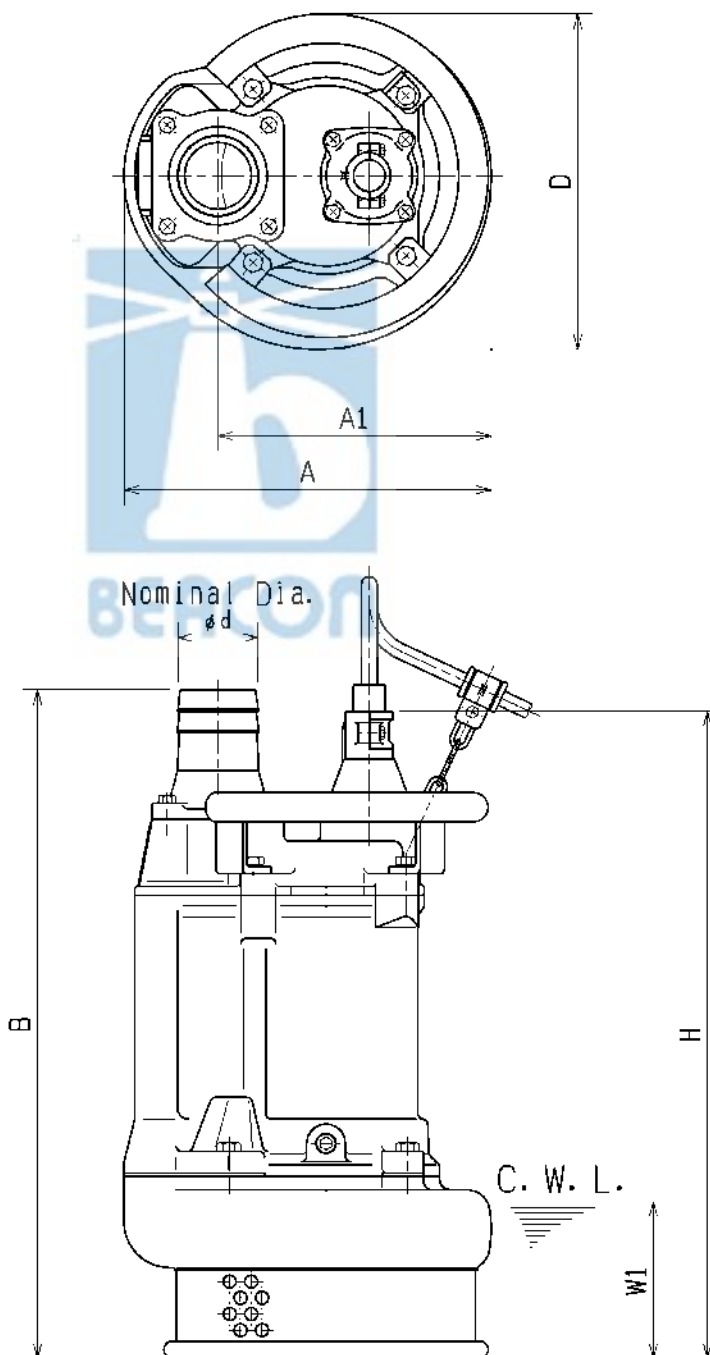


TSURUMI MFG. CO., LTD.

<b>DIMENSION DRAWING</b>		No.	No. A-22182-1
TYPE	Submersible Dewatering Pump	MODEL	KRS2-A3/B3/C3/D3 KRS2-A4/B4/C4/D4

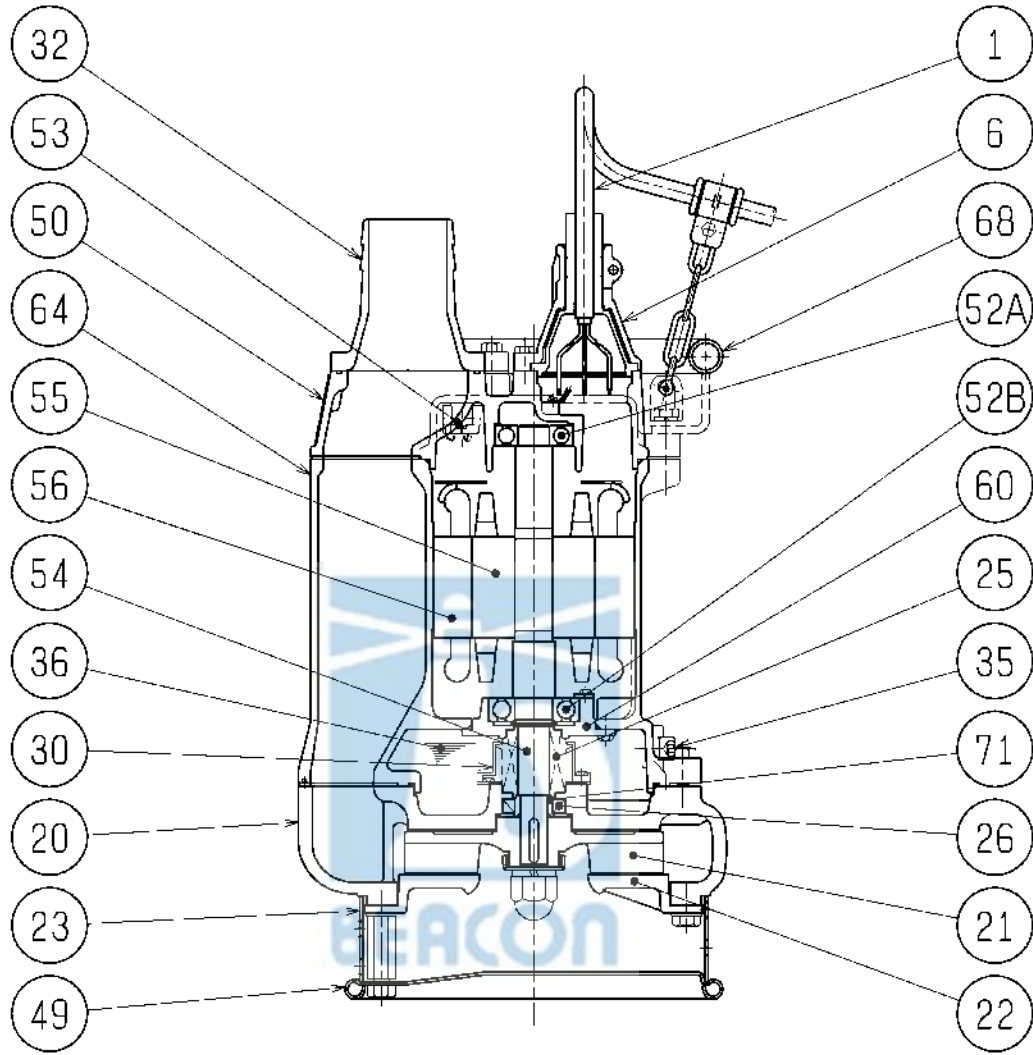
FREQUENCY	MODEL	φd	A	A1	D	B	H	W1	Approximate Weight (※)
50Hz	C3	80	340	253	311	619	599	145	72kg
	C4	100	349	259	320	719	684	155	88kg
	D3	80	362	272	346	704	684	155	91kg
	D4	100	362	272	346	709	674	155	98kg
60Hz	A3	80	340	253	311	619	599	145	72kg
	A4	100	349	259	320	719	684	155	88kg
	B3	80	349	259	320	704	684	155	89kg
	B4	100	349	259	320	709	674	155	95kg

※excluding cable



C. W. L. :Continuous running Water Level

<b>SECTIONAL DRAWING</b>		No.	No. A-22189-1
TYPE	Submersible Dewatering Pump	MODEL	KRS2-A3/B3/C3/D3 KRS2-A4/B4/C4/D4



	※1	※2	※3
2. 2kW	H-25	TC305011	6306ZZC3
3. 7kW	H-30	TC355511	6307ZZC3
5. 5kW	H-30	TC355511	6308ZZC3

REQ. SPECIFICATION

No.	DESCRIPTION	QTY	MATERIAL / NOTE	No.	DESCRIPTION	QTY	MATERIAL / NOTE
1	Cabtyre Cable	1	Chloroprene Sheath	50	Motor Bracket	1	Gray Iron Casting
6	Stuffing Box	1	Gray Iron Casting	52A	Upper Bearing	1	6305ZZC3
20	Pump Casing	1	Gray Iron Casting	52B	Lower Bearing	1	※3
21	Impeller	1	Ductile Iron Casting	53	Motor Protector	1	
22	Suction Cover	1	Gray Iron Casting	54	Shaft	1	Stainless Steel 420J2
23	Strainer	1	Steel Sheet	55	Rotor	1	
25	Mechanical Seal	1	※1	56	Stator	1	
26	Oil Seal	1	※2	60	Bearing Housing	1	Gray Iron Casting
30	Oil Lifter	1	Plastic	64	Motor Frame	1	Gray Iron Casting
32	Hose Coupling	1	Gray Iron Casting	68	Handle	1	Carbon Steel Pipe & Steel Sheet
35	Oil Plug	1	Stainless Steel 304	71	Shaft Sleeve	1	Stainless Steel 403
36	Lubricant		Turbine Oil (ISO VG32)				
49	Bottom Plate	1	Steel Sheet				

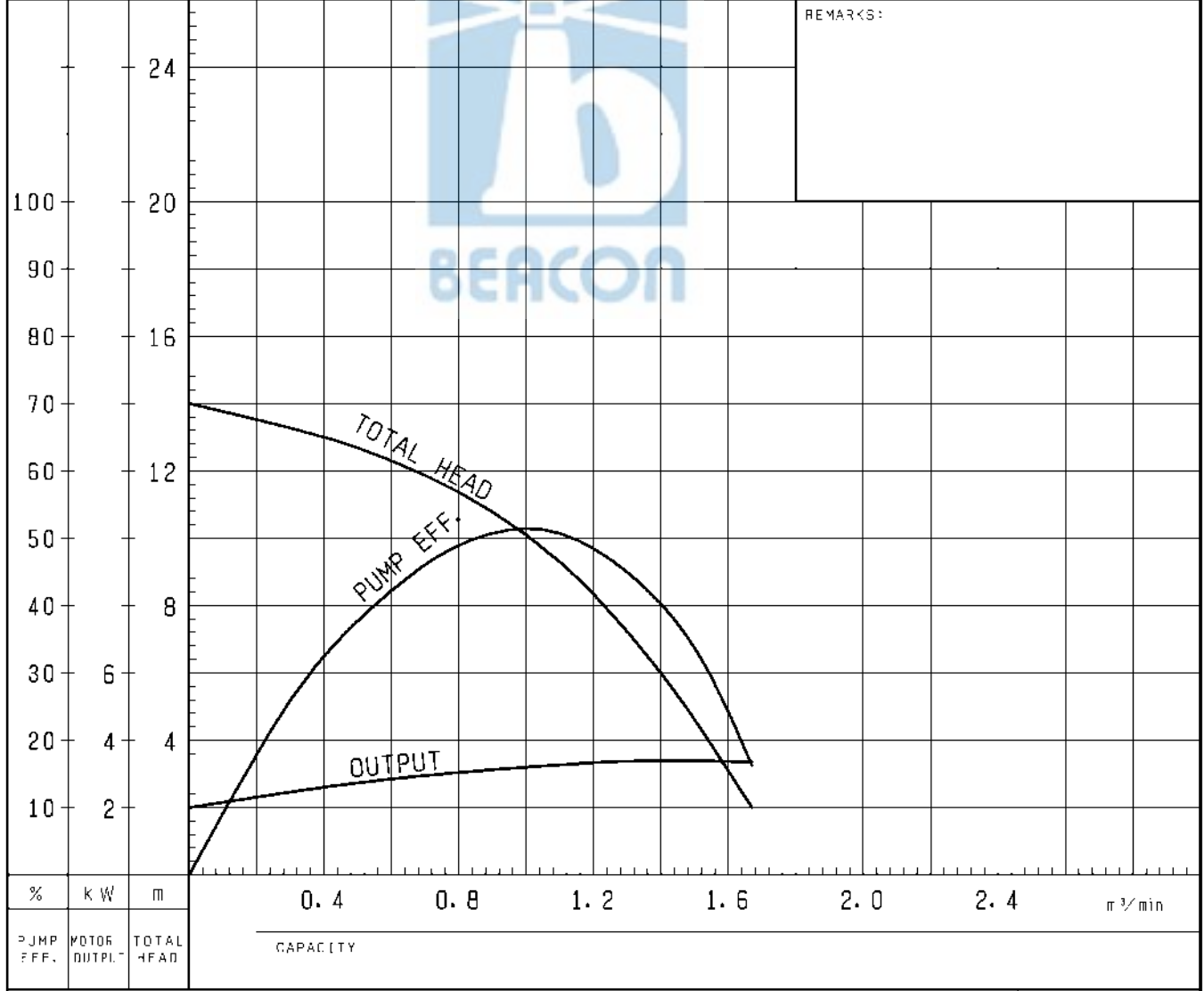
NO. A-22165-1

# PUMP PERFORMANCE CURVES

TYPE **Submersible Dewatering Pump**      MODEL **KRS2-C4**      FREQUENCY **50** Hz

CUSTOMER'S NAME \_\_\_\_\_  
 EQUIPMENT TITLE \_\_\_\_\_ NO. \_\_\_\_\_

	STANDARD SPECIFICATIONS	REQUIRED SPECIFICATIONS
DISCHARGE BORE	100 mm	mm
TOTAL HEAD	10 m	m
CAPACITY	1.0 m <sup>3</sup> /min	m <sup>3</sup> /min
MOTOR OUTPUT	3.7 kW	kW
PHASE × VOLTAGE	3 φ × V	φ × V
CURRENT	A	A
POLES / REVOLUTION	4 P / S. S. 1500 min <sup>-1</sup>	P / min <sup>-1</sup>
STARTING METHOD	DIRECT ON LINE	
INSULATION CLASS	E	

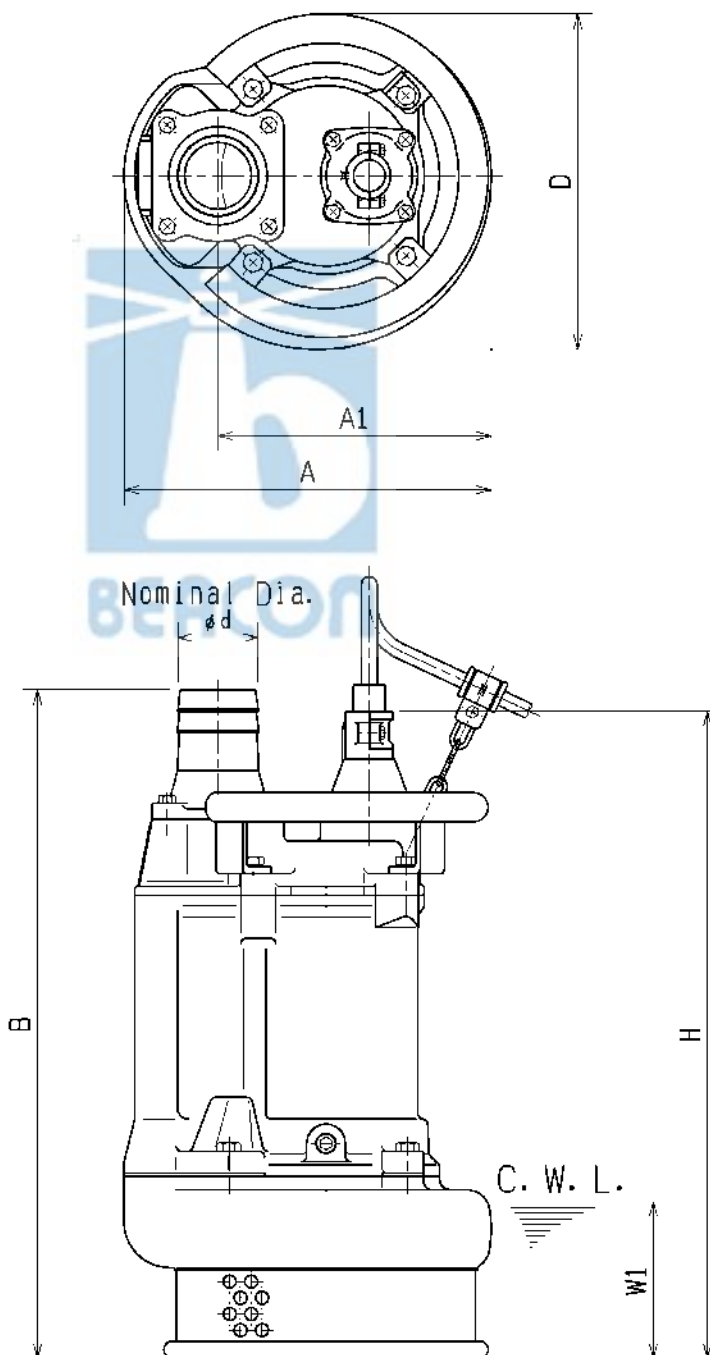


**TSURUMI MFG. CO., LTD.**

<b>DIMENSION DRAWING</b>		No.	No. A-22182-1
TYPE	Submersible Dewatering Pump	MODEL	KRS2-A3/B3/C3/D3 KRS2-A4/B4/C4/D4

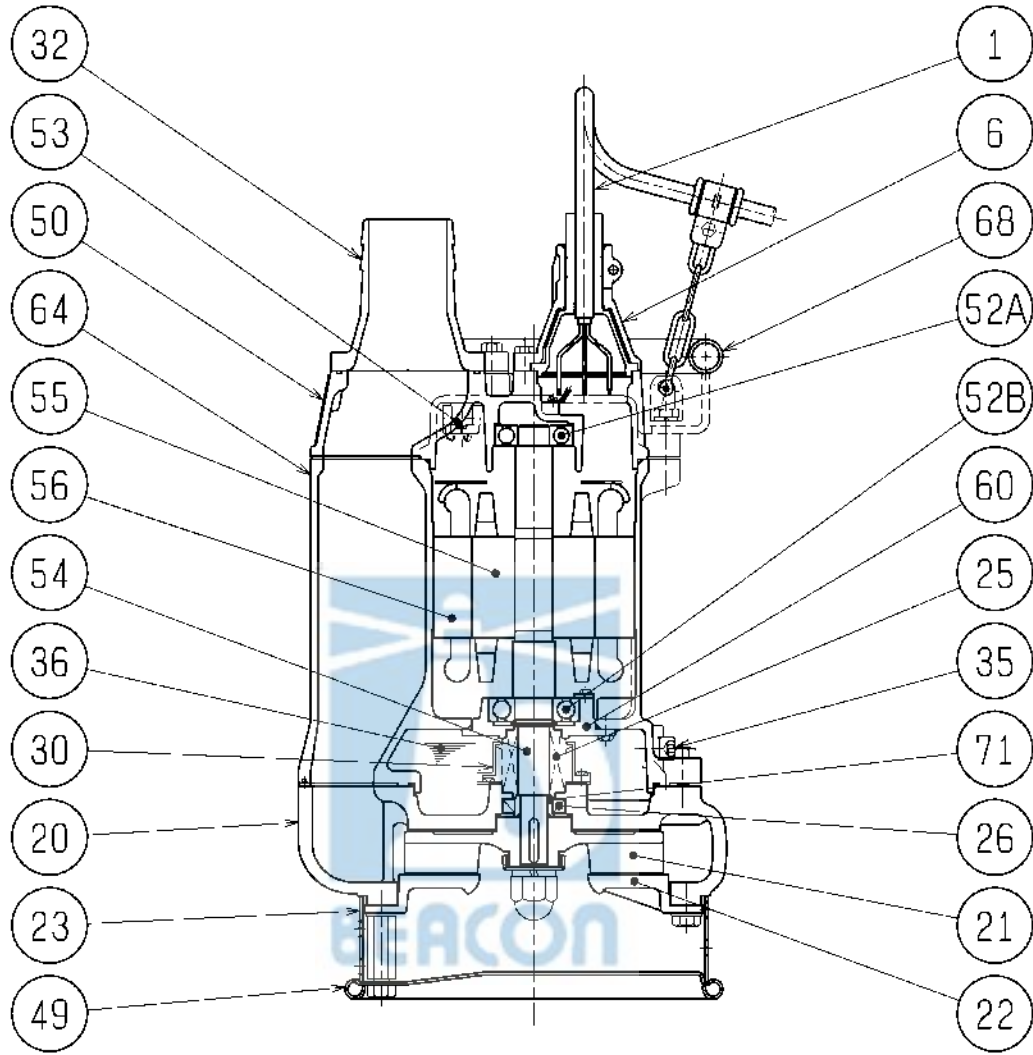
FREQUENCY	MODEL	φd	A	A1	D	B	H	W1	Approximate Weight (※)
50Hz	C3	80	340	253	311	619	599	145	72kg
	C4	100	349	259	320	719	684	155	88kg
	D3	80	362	272	346	704	684	155	91kg
	D4	100	362	272	346	709	674	155	98kg
60Hz	A3	80	340	253	311	619	599	145	72kg
	A4	100	349	259	320	719	684	155	88kg
	B3	80	349	259	320	704	684	155	89kg
	B4	100	349	259	320	709	674	155	95kg

※excluding cable



C. W. L. :Continuous running Water Level

<b>SECTIONAL DRAWING</b>		No.	No. A-22189-1
TYPE	Submersible Dewatering Pump	MODEL	KRS2-A3/B3/C3/D3 KRS2-A4/B4/C4/D4



	※1	※2	※3
2. 2kW	H-25	TC305011	6306ZZC3
3. 7kW	H-30	TC355511	6307ZZC3
5. 5kW	H-30	TC355511	6308ZZC3

REQ. SPECIFICATION

No.	DESCRIPTION	QTY	MATERIAL / NOTE	No.	DESCRIPTION	QTY	MATERIAL / NOTE
1	Cable	1	Chloroprene Sheath	50	Motor Bracket	1	Gray Iron Casting
6	Stuffing Box	1	Gray Iron Casting	52A	Upper Bearing	1	6305ZZC3
20	Pump Casing	1	Gray Iron Casting	52B	Lower Bearing	1	※3
21	Impeller	1	Ductile Iron Casting	53	Motor Protector	1	
22	Suction Cover	1	Gray Iron Casting	54	Shaft	1	Stainless Steel 420J2
23	Strainer	1	Steel Sheet	55	Rotor	1	
25	Mechanical Seal	1	※1	56	Stator	1	
26	Oil Seal	1	※2	60	Bearing Housing	1	Gray Iron Casting
30	Oil Lifter	1	Plastic	64	Motor Frame	1	Gray Iron Casting
32	Hose Coupling	1	Gray Iron Casting	68	Handle	1	Carbon Steel Pipe & Steel Sheet
35	Oil Plug	1	Stainless Steel 304	71	Shaft Sleeve	1	Stainless Steel 403
36	Lubricant		Turbine Oil (ISO VG32)				
49	Bottom Plate	1	Steel Sheet				

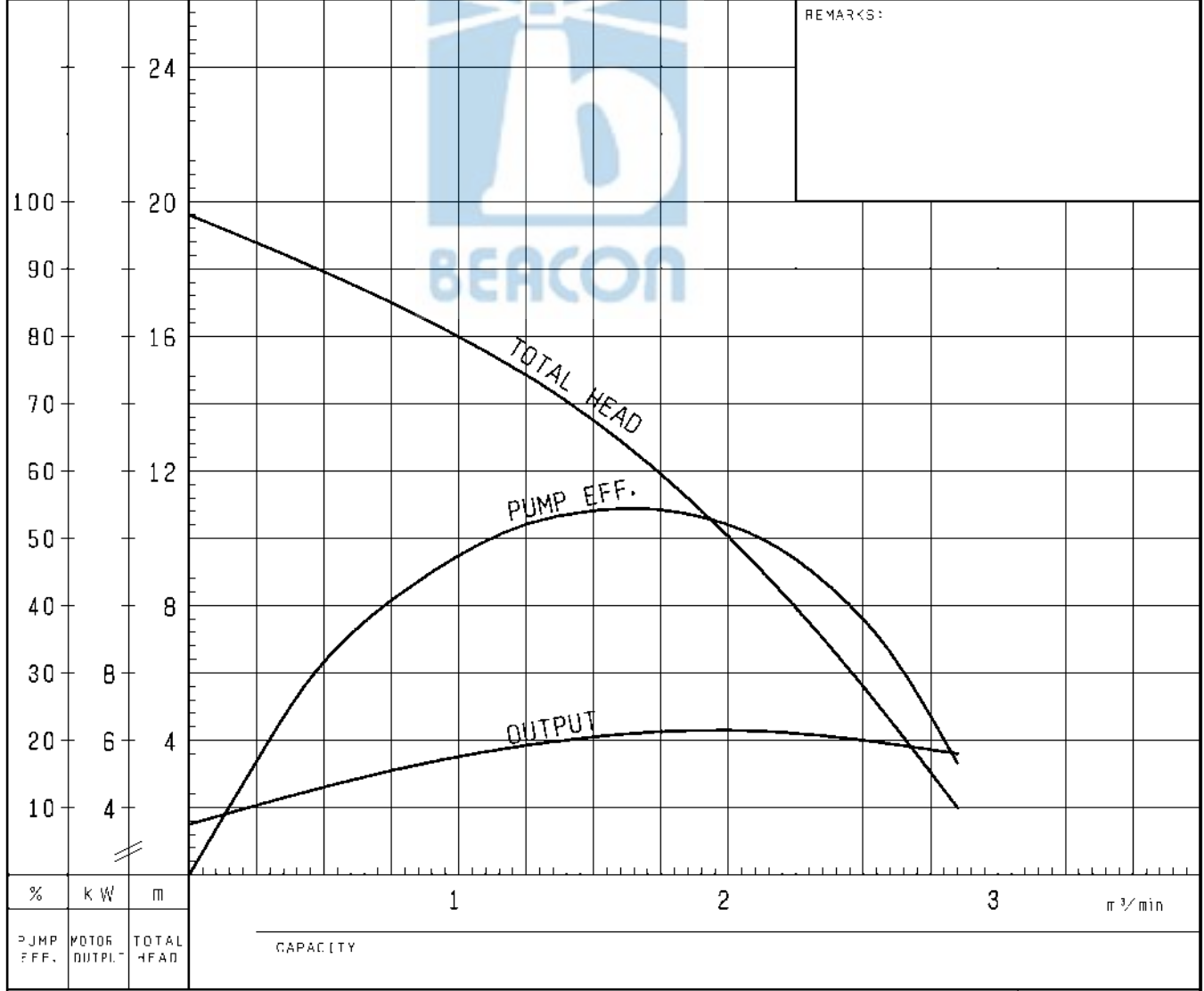
NO. A-22169-1

# PUMP PERFORMANCE CURVES

TYPE **Submersible Dewatering Pump**      MODEL **KRS2-C6**      FREQUENCY **50** Hz

CUSTOMER'S NAME \_\_\_\_\_  
 EQUIPMENT TITLE \_\_\_\_\_ NO. \_\_\_\_\_

	STANDARD SPECIFICATIONS	REQUIRED SPECIFICATIONS
DISCHARGE BORE	150 mm	mm
TOTAL HEAD	10 m	m
CAPACITY	2.0 m <sup>3</sup> /min	m <sup>3</sup> /min
MOTOR OUTPUT	7.5 kW	kW
PHASE × VOLTAGE	3 φ × V	φ × V
CURRENT	A	A
POLES / REVOLUTION	4 P / S. S. 1500 min <sup>-1</sup>	P / min <sup>-1</sup>
STARTING METHOD	DIRECT ON LINE	
INSULATION CLASS	B	

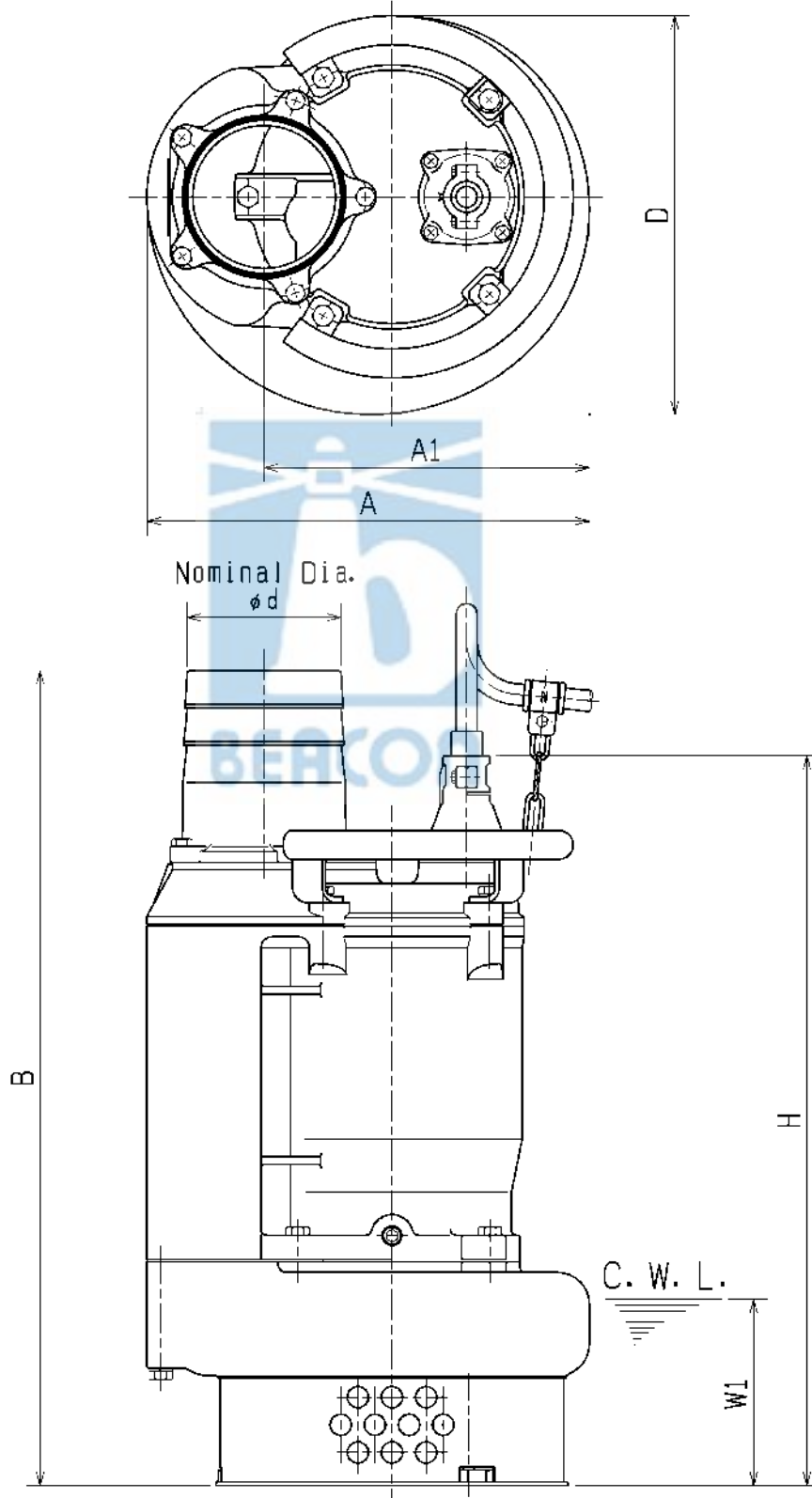


**TSURUMI MFG. CO., LTD.**

<b>DIMENSION DRAWING</b>		No.	No. A-22183-1
TYPE	Submersible Dewatering Pump		MODEL KRS2-C6/A6/D6/B6

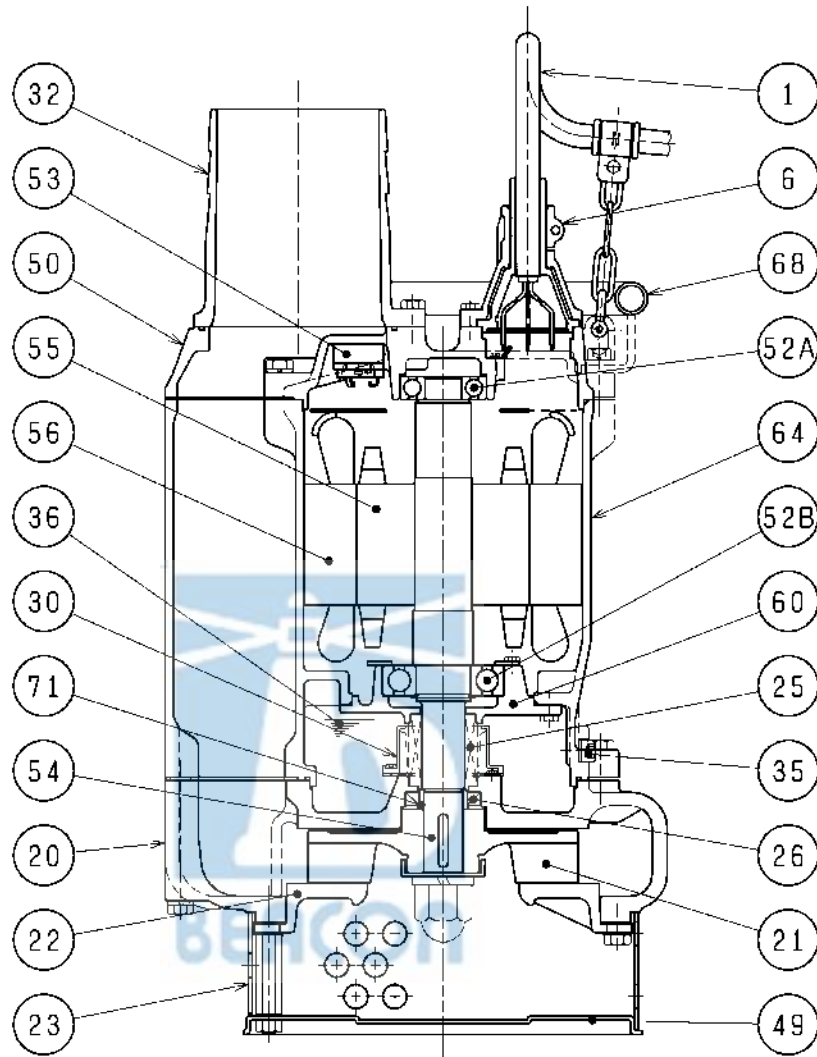
FREQUENCY	MODEL	φd	A	A1	D	B	H	w1	Approximate Weight (kg)
50Hz	C6	150	415	305	374	765	685	175	130kg
	D6	150	433	323	407	812	744	180	158kg
60Hz	A6	150	415	305	374	765	685	175	130kg
	B6	150	415	305	374	810	742	175	150kg

※excluding cable



C. W. L. :Continuous running Water Level

<b>SECTIONAL DRAWING</b>		No.	No. A-22190-1
TYPE	Submersible Dewatering Pump	MODEL	KRS2-C6/A6/D6/B6



REQ. SPECIFICATION	

	※1	※2
7.5kW	6306ZZC3	6309ZZC3
11kW	6307ZZC3	6310ZZC3

No.	DESCRIPTION	QTY	MATERIAL / NOTE	No.	DESCRIPTION	QTY	MATERIAL / NOTE
1	Cabtyre Cable	1	Chloroprene Sheath	50	Motor Bracket	1	Gray Iron Casting
6	Stuffing Box	1	Gray Iron Casting	52A	Upper Bearing	1	※1
20	Pump Casing	1	Gray Iron Casting	52B	Lower Bearing	1	※2
21	Impeller	1	Ductile Iron Casting	53	Motor Protector	1	
22	Suction Cover	1	Gray Iron Casting	54	Shaft	1	Stainless Steel 420J2
23	Strainer	1	Steel Sheet	55	Rotor	1	
25	Mechanical Seal	1	H-35	56	Stator	1	
26	Oil Seal	1	TC406211	60	Bearing Housing	1	Gray Iron Casting
30	Oil Lifter	1	Plastic	64	Motor Frame	1	Gray Iron Casting
32	Hose Coupling	1	Gray Iron Casting	68	Handle	1	Carbon Steel Pipe & Steel Sheet
35	Oil Plug	1	Stainless Steel 304	71	Shaft Sleeve	1	Stainless Steel 403
36	Lubricant		Turbine Oil (ISO VG32)				
49	Bottom Plate	1	Steel Sheet				

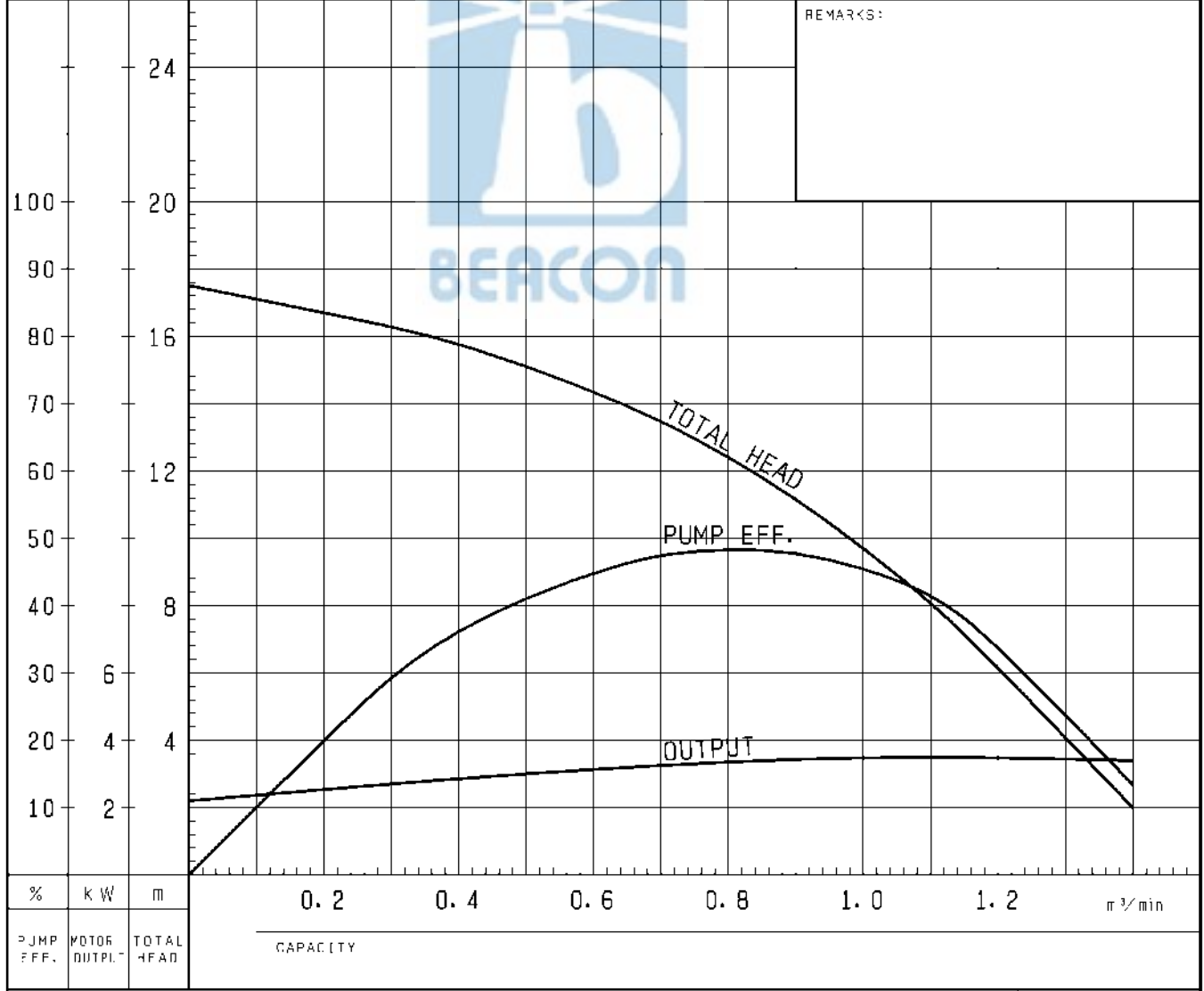
NO. A-22163-1

# PUMP PERFORMANCE CURVES

TYPE Submersible Dewatering Pump      MODEL KRS2-D3      FREQUENCY 50 Hz

CUSTOMER'S NAME \_\_\_\_\_  
 EQUIPMENT TITLE \_\_\_\_\_ NO. \_\_\_\_\_

	STANDARD SPECIFICATIONS	REQUIRED SPECIFICATIONS
DISCHARGE BORE	80 mm	mm
TOTAL HEAD	15 m	m
CAPACITY	0.5 m <sup>3</sup> /min	m <sup>3</sup> /min
MOTOR OUTPUT	3.7 kW	kW
PHASE × VOLTAGE	3 φ × V	φ × V
CURRENT	A	A
POLES / REVOLUTION	4 P / S. S. 1500 min <sup>-1</sup>	P / min <sup>-1</sup>
STARTING METHOD	DIRECT ON LINE	
INSULATION CLASS	E	

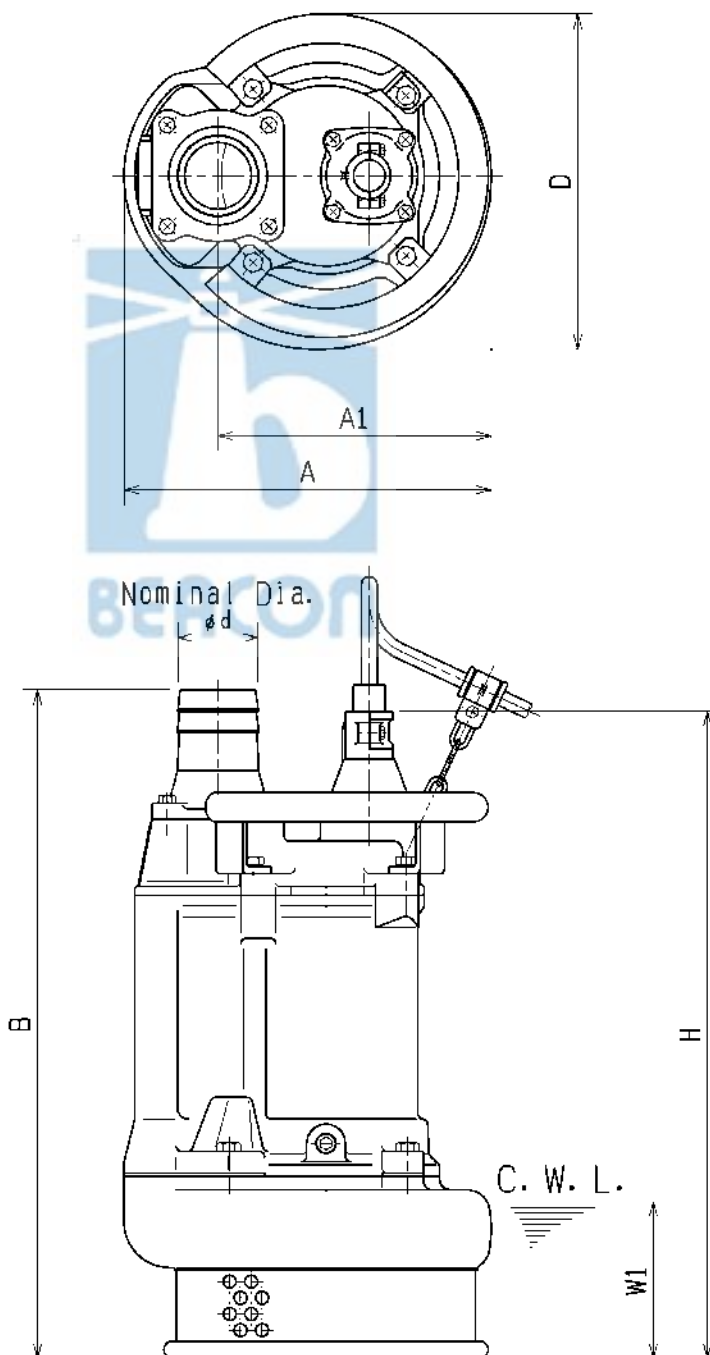


TSURUMI MFG. CO., LTD.

<b>DIMENSION DRAWING</b>		No.	No. A-22182-1
TYPE	Submersible Dewatering Pump	MODEL	KRS2-A3/B3/C3/D3 KRS2-A4/B4/C4/D4

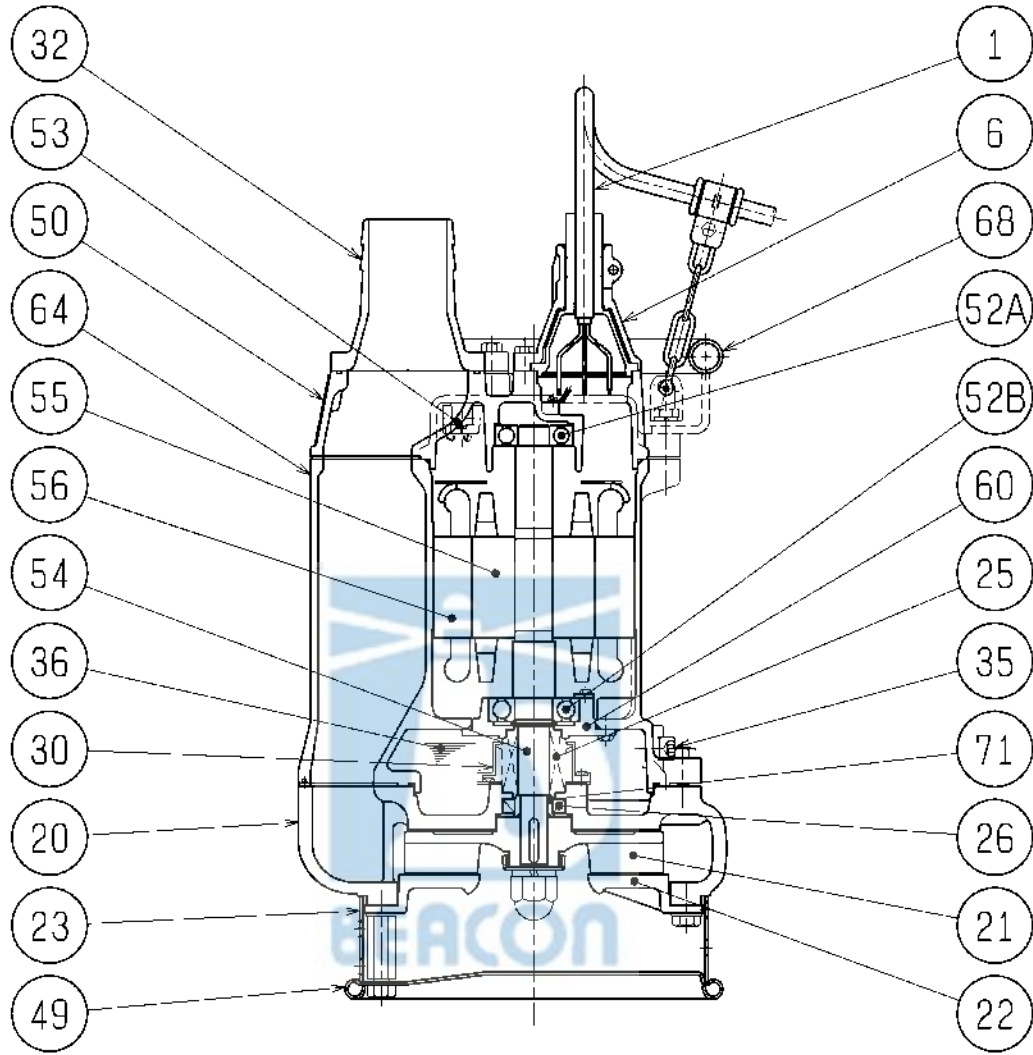
FREQUENCY	MODEL	φd	A	A1	D	B	H	W1	Approximate Weight (※)
50Hz	C3	80	340	253	311	619	599	145	72kg
	C4	100	349	259	320	719	684	155	88kg
	D3	80	362	272	346	704	684	155	91kg
	D4	100	362	272	346	709	674	155	98kg
60Hz	A3	80	340	253	311	619	599	145	72kg
	A4	100	349	259	320	719	684	155	88kg
	B3	80	349	259	320	704	684	155	89kg
	B4	100	349	259	320	709	674	155	95kg

※excluding cable



C. W. L. :Continuous running Water Level

<b>SECTIONAL DRAWING</b>		No.	No. A-22189-1
TYPE	Submersible Dewatering Pump	MODEL	KRS2-A3/B3/C3/D3 KRS2-A4/B4/C4/D4



	※1	※2	※3
2. 2kW	H-25	TC305011	6306ZZC3
3. 7kW	H-30	TC355511	6307ZZC3
5. 5kW	H-30	TC355511	6308ZZC3

REQ. SPECIFICATION

No.	DESCRIPTION	QTY	MATERIAL / NOTE	No.	DESCRIPTION	QTY	MATERIAL / NOTE
1	Cabtyre Cable	1	Chloroprene Sheath	50	Motor Bracket	1	Gray Iron Casting
6	Stuffing Box	1	Gray Iron Casting	52A	Upper Bearing	1	6305ZZC3
20	Pump Casing	1	Gray Iron Casting	52B	Lower Bearing	1	※3
21	Impeller	1	Ductile Iron Casting	53	Motor Protector	1	
22	Suction Cover	1	Gray Iron Casting	54	Shaft	1	Stainless Steel 420J2
23	Strainer	1	Steel Sheet	55	Rotor	1	
25	Mechanical Seal	1	※1	56	Stator	1	
26	Oil Seal	1	※2	60	Bearing Housing	1	Gray Iron Casting
30	Oil Lifter	1	Plastic	64	Motor Frame	1	Gray Iron Casting
32	Hose Coupling	1	Gray Iron Casting	68	Handle	1	Carbon Steel Pipe & Steel Sheet
35	Oil Plug	1	Stainless Steel 304	71	Shaft Sleeve	1	Stainless Steel 403
36	Lubricant		Turbine Oil (ISO VG32)				
49	Bottom Plate	1	Steel Sheet				

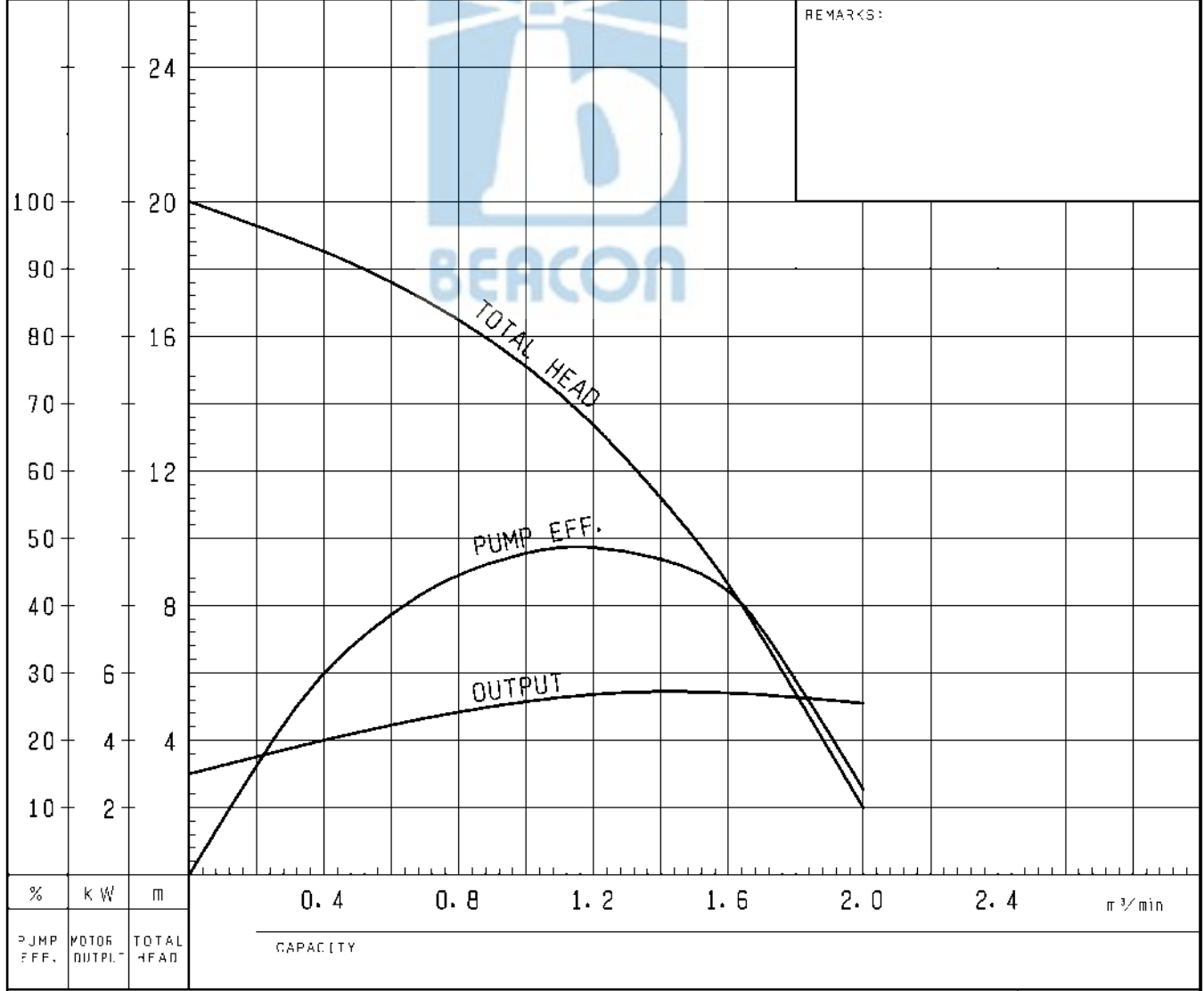
NO. A-22167-1

# PUMP PERFORMANCE CURVES

TYPE **Submersible Dewatering Pump**      MODEL **KRS2-D4**      FREQUENCY **50** Hz

CUSTOMER'S NAME \_\_\_\_\_  
 EQUIPMENT TITLE \_\_\_\_\_ NO. \_\_\_\_\_

	STANDARD SPECIFICATIONS	REQUIRED SPECIFICATIONS
DISCHARGE BORE	100 mm	mm
TOTAL HEAD	15 m	m
CAPACITY	1.0 m <sup>3</sup> /min	m <sup>3</sup> /min
MOTOR OUTPUT	5.5 kW	kW
PHASE × VOLTAGE	3 φ × V	φ × V
CURRENT	A	A
POLES / REVOLUTION	4 P / S. S. 1500 min <sup>-1</sup>	P / min <sup>-1</sup>
STARTING METHOD	DIRECT ON LINE	
INSULATION CLASS	E	

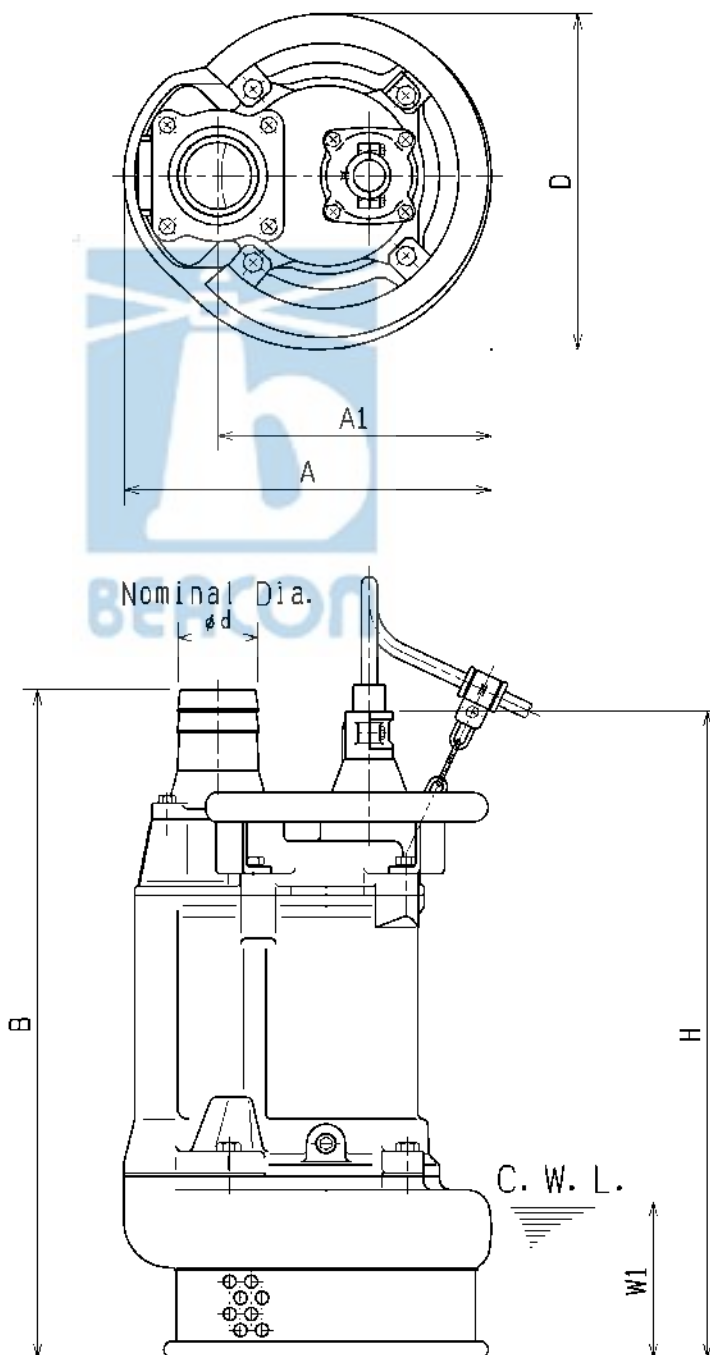


**TSURUMI MFG. CO., LTD.**

<b>DIMENSION DRAWING</b>		No.	No. A-22182-1
TYPE	Submersible Dewatering Pump	MODEL	KRS2-A3/B3/C3/D3 KRS2-A4/B4/C4/D4

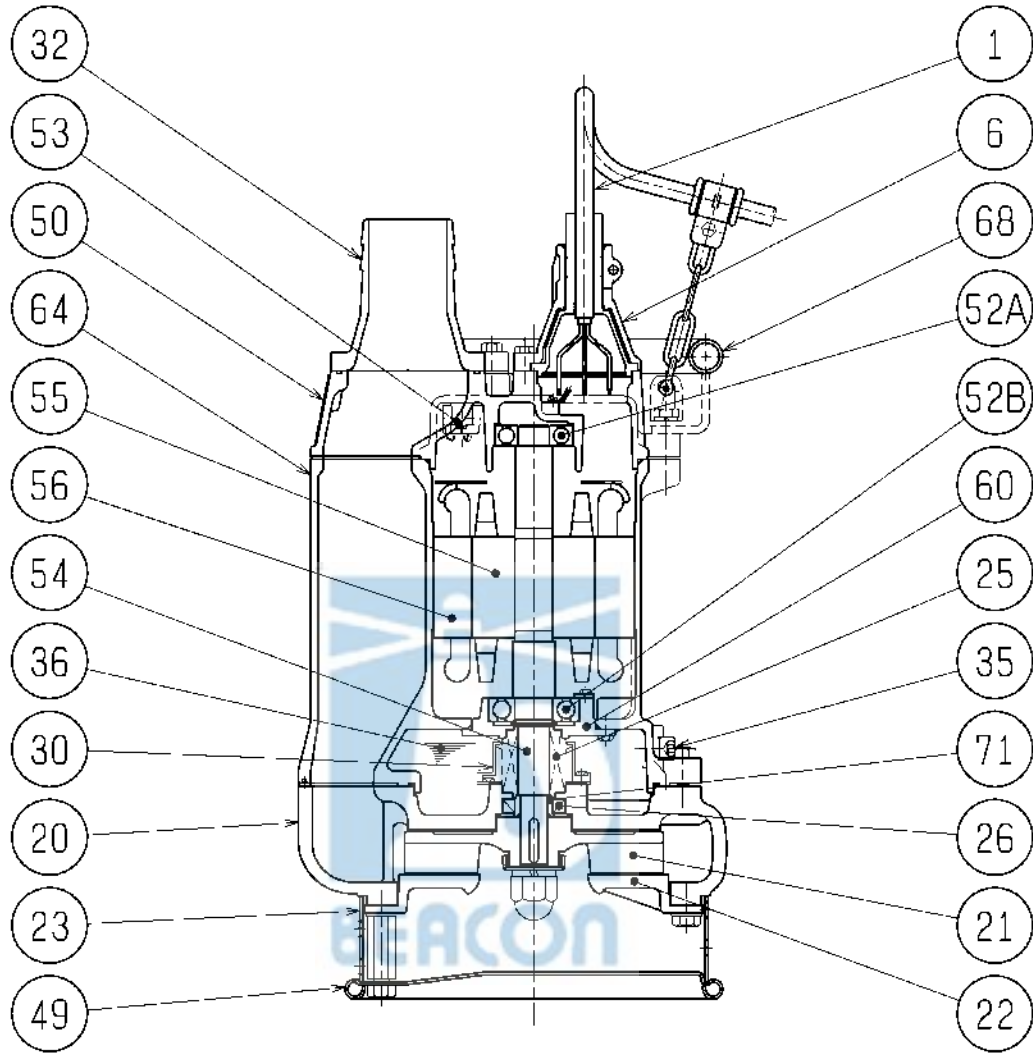
FREQUENCY	MODEL	φd	A	A1	D	B	H	W1	Approximate Weight (※)
50Hz	C3	80	340	253	311	619	599	145	72kg
	C4	100	349	259	320	719	684	155	88kg
	D3	80	362	272	346	704	684	155	91kg
	D4	100	362	272	346	709	674	155	98kg
60Hz	A3	80	340	253	311	619	599	145	72kg
	A4	100	349	259	320	719	684	155	88kg
	B3	80	349	259	320	704	684	155	89kg
	B4	100	349	259	320	709	674	155	95kg

※excluding cable



C. W. L. :Continuous running Water Level

<b>SECTIONAL DRAWING</b>		No.	No. A-22189-1
TYPE	Submersible Dewatering Pump	MODEL	KRS2-A3/B3/C3/D3 KRS2-A4/B4/C4/D4



	※1	※2	※3
2. 2kW	H-25	TC305011	6306ZZC3
3. 7kW	H-30	TC355511	6307ZZC3
5. 5kW	H-30	TC355511	6308ZZC3

REQ. SPECIFICATION

No.	DESCRIPTION	QTY	MATERIAL / NOTE	No.	DESCRIPTION	QTY	MATERIAL / NOTE
1	Cabtyre Cable	1	Chloroprene Sheath	50	Motor Bracket	1	Gray Iron Casting
6	Stuffing Box	1	Gray Iron Casting	52A	Upper Bearing	1	6305ZZC3
20	Pump Casing	1	Gray Iron Casting	52B	Lower Bearing	1	※3
21	Impeller	1	Ductile Iron Casting	53	Motor Protector	1	
22	Suction Cover	1	Gray Iron Casting	54	Shaft	1	Stainless Steel 420J2
23	Strainer	1	Steel Sheet	55	Rotor	1	
25	Mechanical Seal	1	※1	56	Stator	1	
26	Oil Seal	1	※2	60	Bearing Housing	1	Gray Iron Casting
30	Oil Lifter	1	Plastic	64	Motor Frame	1	Gray Iron Casting
32	Hose Coupling	1	Gray Iron Casting	68	Handle	1	Carbon Steel Pipe & Steel Sheet
35	Oil Plug	1	Stainless Steel 304	71	Shaft Sleeve	1	Stainless Steel 403
36	Lubricant		Turbine Oil (ISO VG32)				
49	Bottom Plate	1	Steel Sheet				

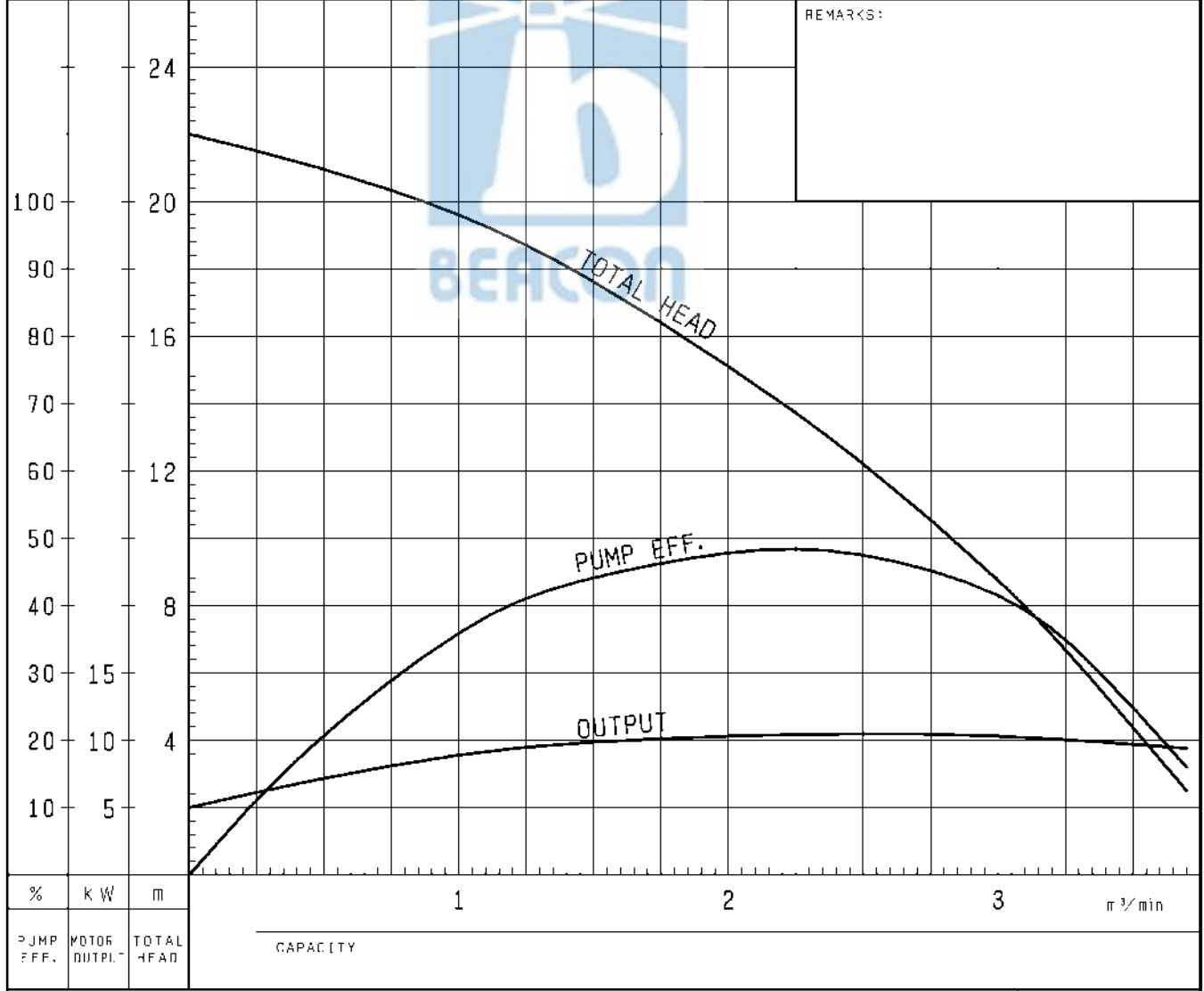
NO. A-22171-1

# PUMP PERFORMANCE CURVES

TYPE **Submersible Dewatering Pump**      MODEL **KRS2-D6**      FREQUENCY **50** Hz

CUSTOMER'S NAME \_\_\_\_\_  
 EQUIPMENT TITLE \_\_\_\_\_ NO. \_\_\_\_\_

	STANDARD SPECIFICATIONS	REQUIRED SPECIFICATIONS
DISCHARGE BORE	150 mm	mm
TOTAL HEAD	15 m	m
CAPACITY	2.0 m <sup>3</sup> /min	m <sup>3</sup> /min
MOTOR OUTPUT	11 kW	kW
PHASE × VOLTAGE	3 φ × V	φ × V
CURRENT	A	A
POLES / REVOLUTION	4 P / S. S. 1500 min <sup>-1</sup>	P / min <sup>-1</sup>
STARTING METHOD	DIRECT ON LINE	
INSULATION CLASS	B	

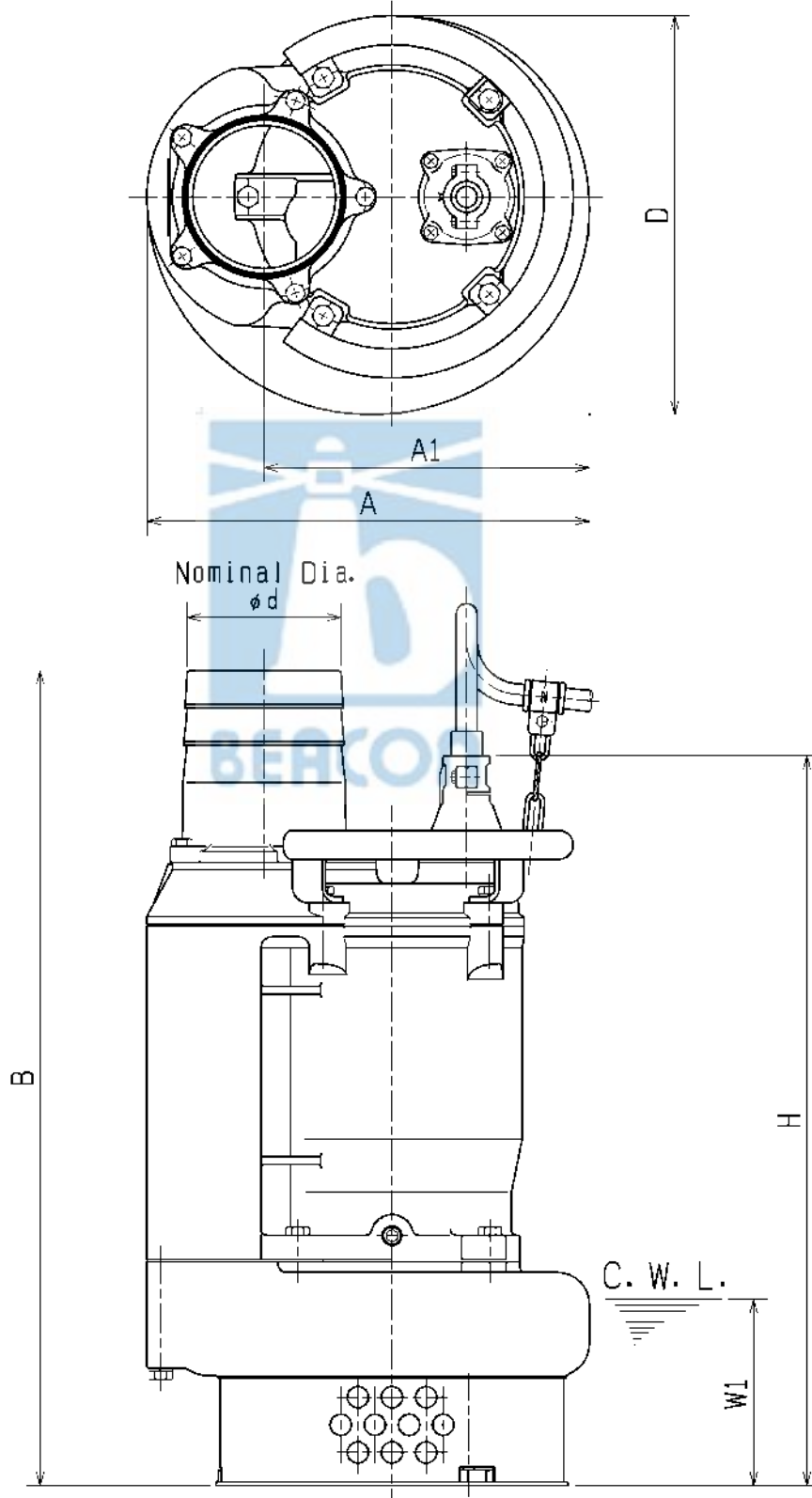


**TSURUMI MFG. CO., LTD.**

<b>DIMENSION DRAWING</b>		No.	No. A-22183-1
TYPE	Submersible Dewatering Pump		MODEL KRS2-C6/A6/D6/B6

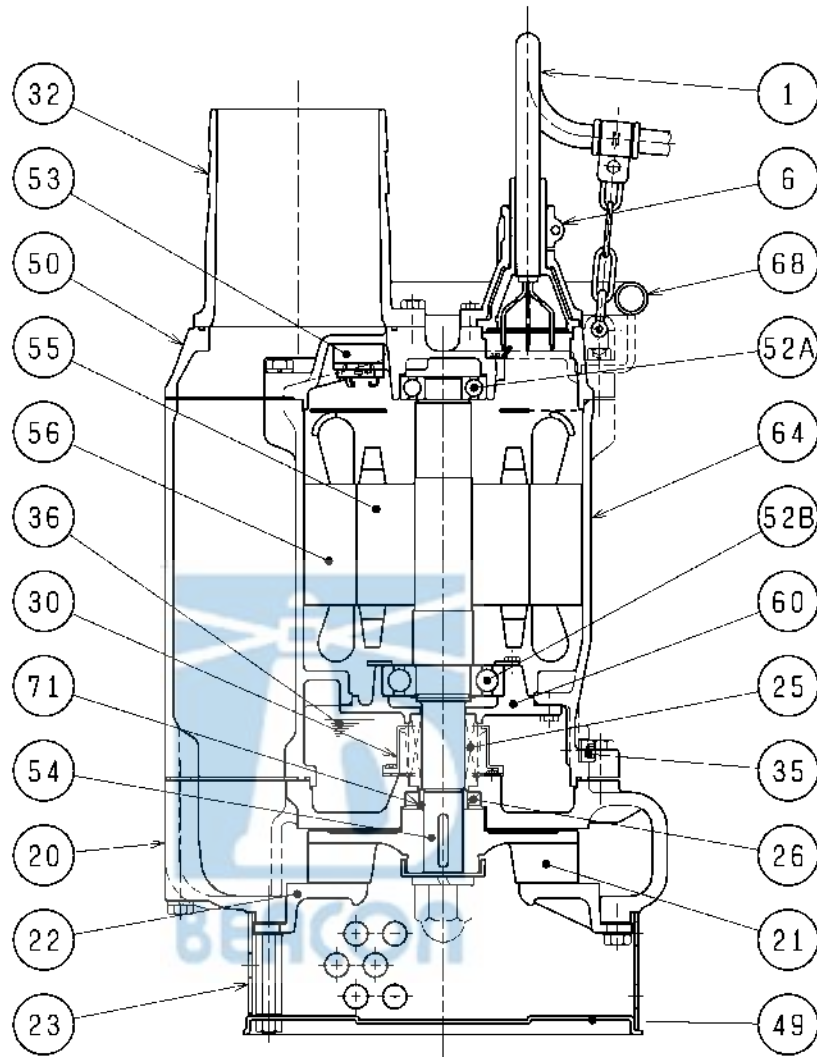
FREQUENCY	MODEL	φd	A	A1	D	B	H	w1	Approximate Weight (kg)
50Hz	C6	150	415	305	374	765	685	175	130kg
	D6	150	433	323	407	812	744	180	158kg
60Hz	A6	150	415	305	374	765	685	175	130kg
	B6	150	415	305	374	810	742	175	150kg

※excluding cable



C. W. L. :Continuous running Water Level

<b>SECTIONAL DRAWING</b>		No.	No. A-22190-1
TYPE	Submersible Dewatering Pump	MODEL	KRS2-C6/A6/D6/B6



REQ. SPECIFICATION	

	※1	※2
7.5kW	6306ZZC3	6309ZZC3
11kW	6307ZZC3	6310ZZC3

No.	DESCRIPTION	QTY	MATERIAL / NOTE	No.	DESCRIPTION	QTY	MATERIAL / NOTE
1	Cable	1	Chloroprene Sheath	50	Motor Bracket	1	Gray Iron Casting
6	Stuffing Box	1	Gray Iron Casting	52A	Upper Bearing	1	※1
20	Pump Casing	1	Gray Iron Casting	52B	Lower Bearing	1	※2
21	Impeller	1	Ductile Iron Casting	53	Motor Protector	1	
22	Suction Cover	1	Gray Iron Casting	54	Shaft	1	Stainless Steel 420J2
23	Strainer	1	Steel Sheet	55	Rotor	1	
25	Mechanical Seal	1	H-35	56	Stator	1	
26	Oil Seal	1	TC406211	60	Bearing Housing	1	Gray Iron Casting
30	Oil Lifter	1	Plastic	64	Motor Frame	1	Gray Iron Casting
32	Hose Coupling	1	Gray Iron Casting	68	Handle	1	Carbon Steel Pipe & Steel Sheet
35	Oil Plug	1	Stainless Steel 304	71	Shaft Sleeve	1	Stainless Steel 403
36	Lubricant		Turbine Oil (ISO VG32)				
49	Bottom Plate	1	Steel Sheet				

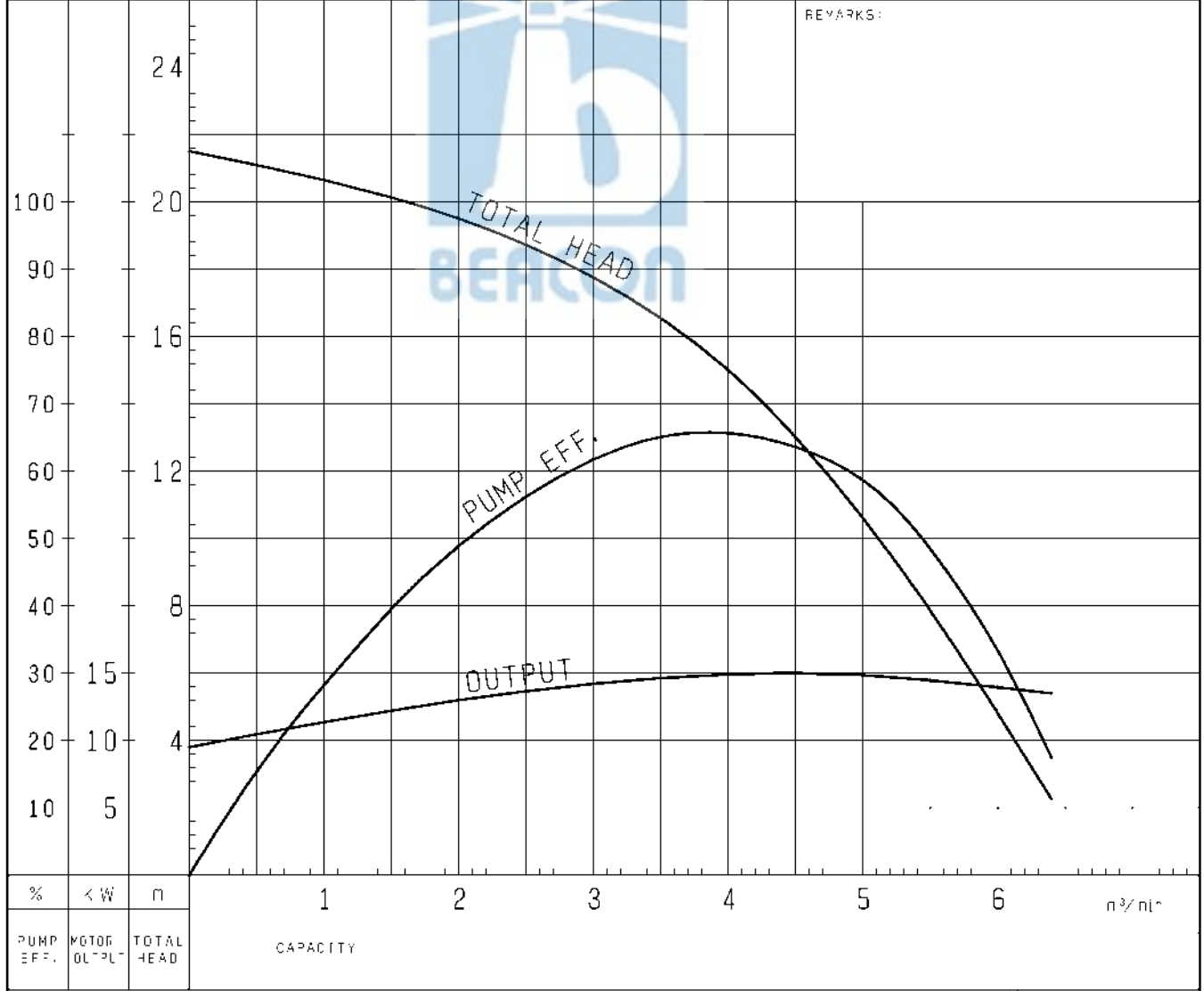
NO. A-20742-1

# PUMP PERFORMANCE CURVES

TYPE SUBMERSIBLE GENERAL DEWATERING PUMP      MODEL KRS815 -51      FREQUENCY 50 Hz

CUSTOMER'S NAME \_\_\_\_\_  
 EQUIPMENT TITLE \_\_\_\_\_ NO. \_\_\_\_\_

	STANDARD SPECIFICATIONS	REQUIRED SPECIFICATIONS
DISCHARGE BORE	200 mm	mm
TOTAL HEAD	15 m	m
CAPACITY	4 m <sup>3</sup> /min	m <sup>3</sup> /min
MOTOR OUTPUT	15 kW	kW
PHASE × VOLTAGE	3 φ × V	φ × V
CURRENT	A	A
POLES / REVOLUTION	4 P / S. S. 1500 min <sup>-1</sup>	P / min <sup>-1</sup>
STARTING METHOD	DIRECT ON LINE	
INSULATION CLASS	F	

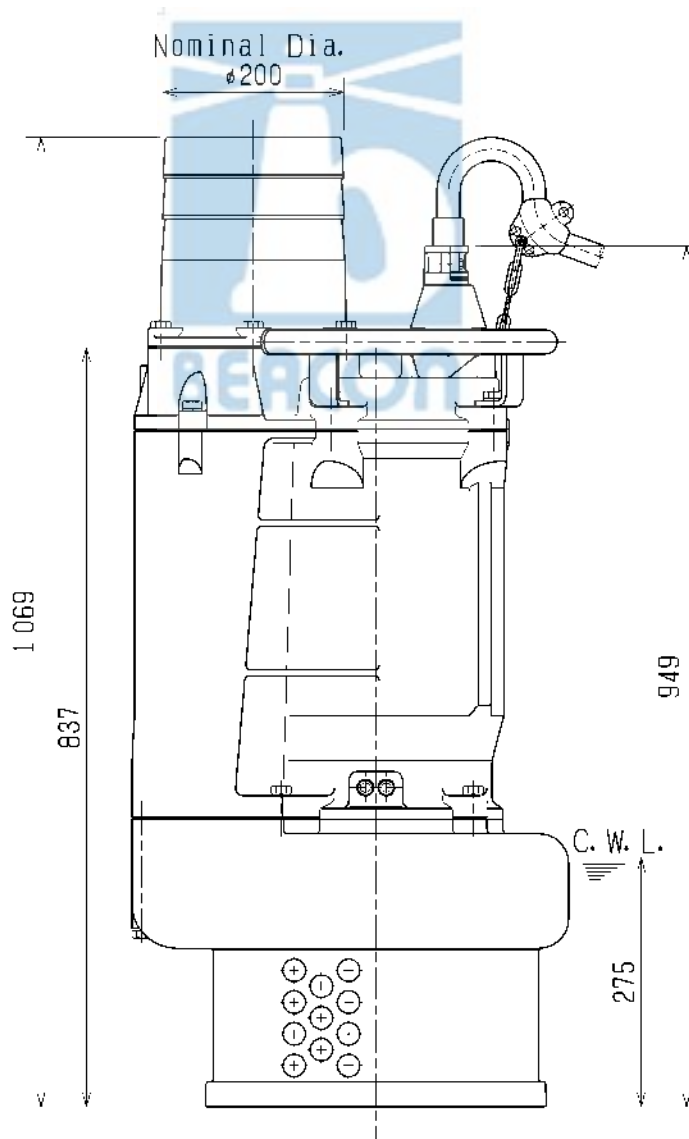
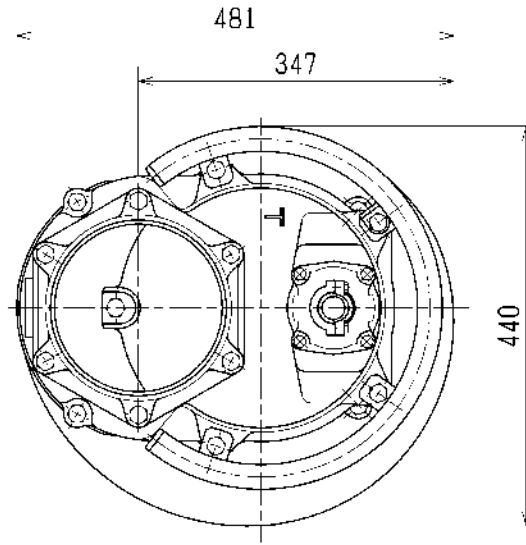


TSURUMI MFG. CO., LTD.

DIMENSION DRAWING		No.	No.	A-20752-1
TYPE	SUBMERSIBLE GENERAL DEWATERING PUMP	MODEL	KRS815 -51/61	

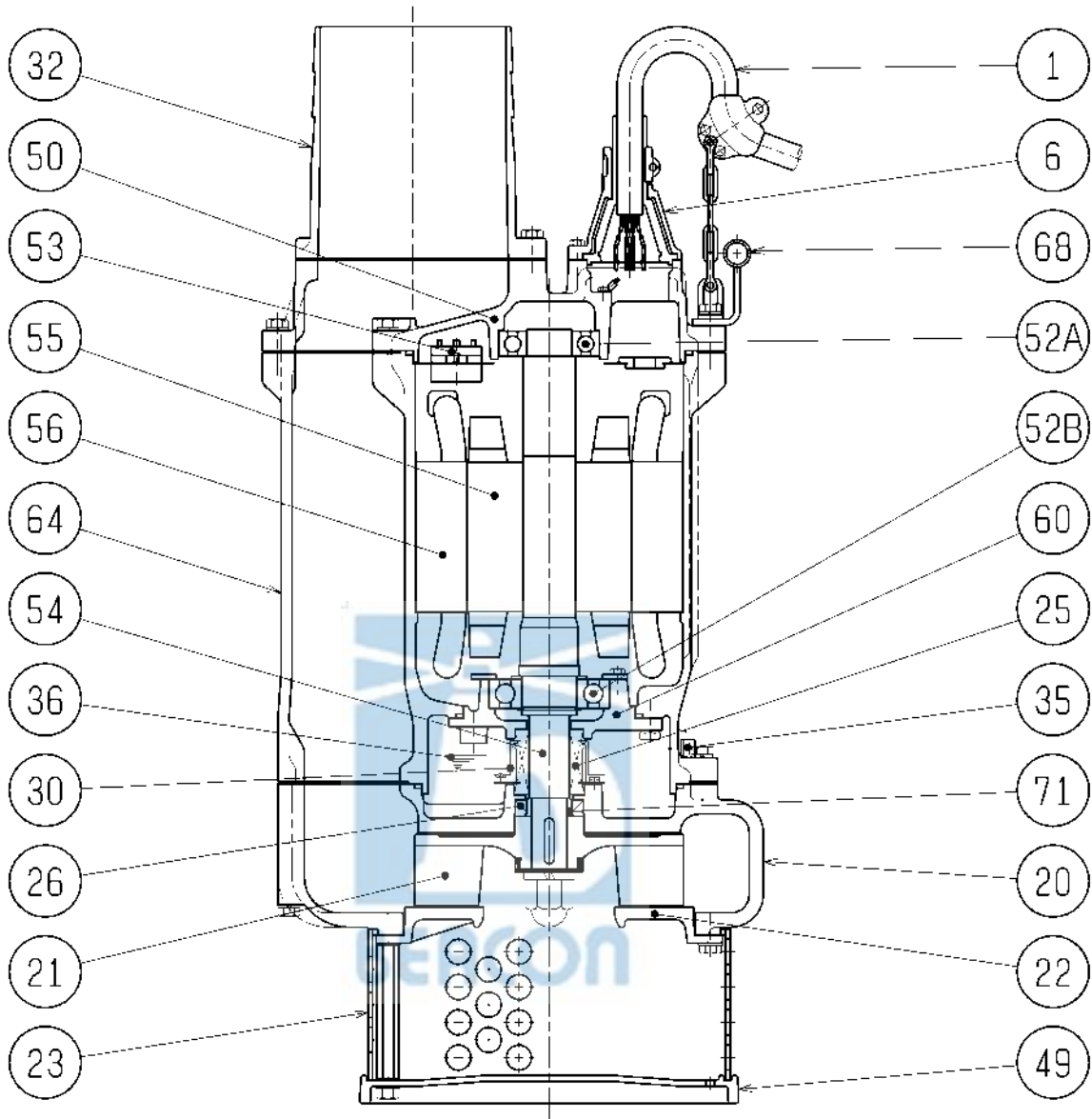
Approximate Weight (※)  
240kg

※excluding cable



C. W. L. :Continuous running Water Level

SECTIONAL DRAWING		No.	No.	A-20755-2
TYPE	SUBMERSIBLE GENERAL DEWATERING PUMP	MODEL	KRS815 -51/61	



REQ. SPECIFICATION	

No.	DESCRIPTION	QTY	MATERIAL / NOTE	No.	DESCRIPTION	QTY	MATERIAL / NOTE
1	Cabtyre Cable	1	Chloroprene Sheath	50	Motor Bracket	1	Gray Iron Casting
6	Stuffing Box	1	Gray Iron Casting	52A	Upper Bearing	1	6309ZC3
20	Pump Casing	1	Gray Iron Casting	52B	Lower Bearing	1	6311ZC3
21	Impeller	1	Ductile Iron Casting	53	Motor Protector	1	
22	Suction Cover	1	Gray Iron Casting	54	Shaft	1	Stainless Steel 420J2
23	Strainer	1	Steel Sheet	55	Rotor	1	
25	Mechanical Seal	1	H-40X	56	Stator	1	
26	Oil Seal	1	TC456812	60	Bearing Housing	1	Gray Iron Casting
30	Oil Lifter	1	Plastic	64	Motor Flame	1	Gray Iron Casting
32	Hose Coupling	1	Gray Iron Casting	68	Handle	1	Carbon Steel Pipe & Structure Steel
35	Oil Plug	2	Stainless Steel 304	71	Shaft Sleeve	1	Stainless Steel 403
36	Lubricant		Turbine Oil (ISO VG32)				
49	Bottom Plate	1	Malleable Iron Casting				

NO. 図番 A-04030-1

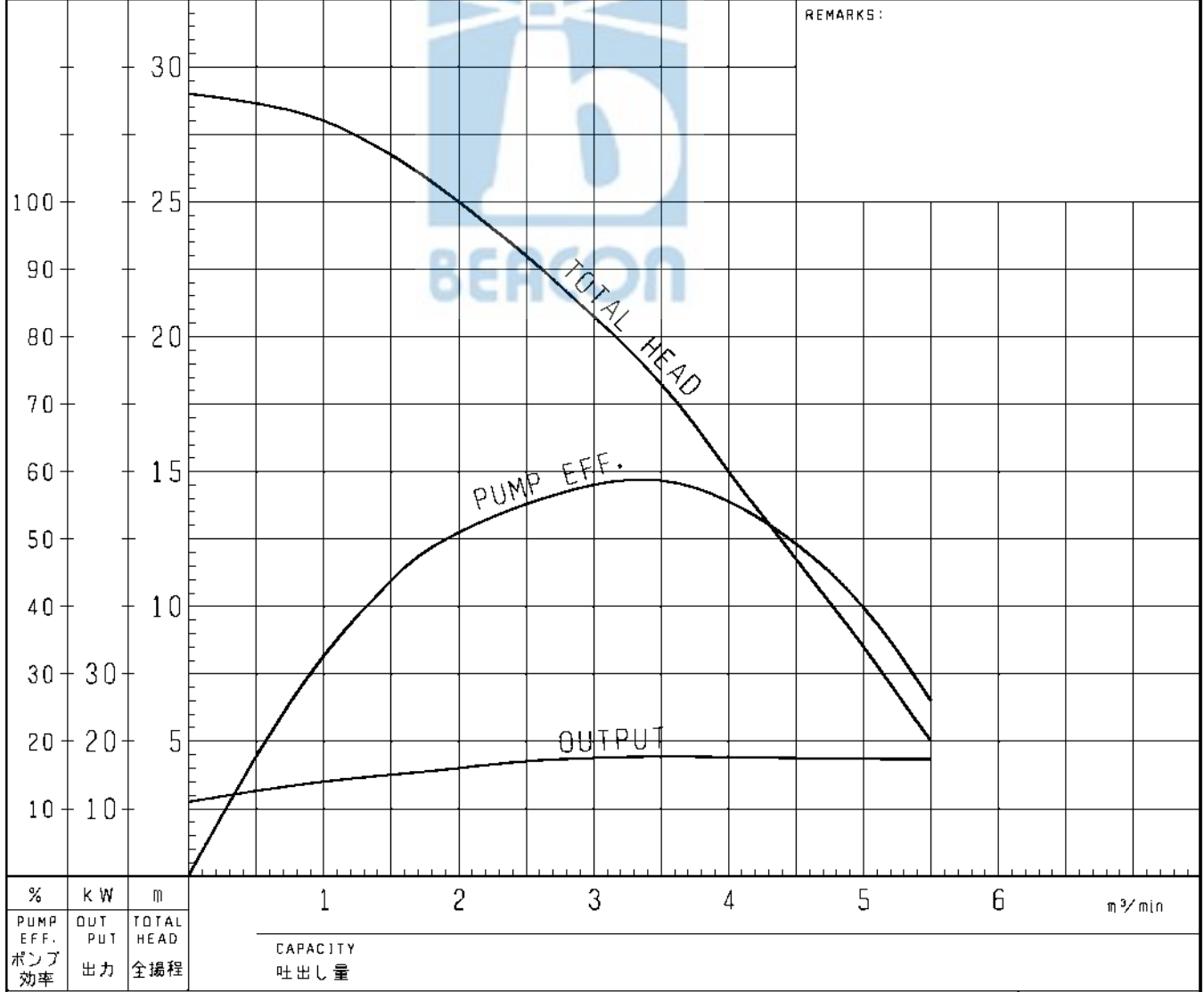
## 性能曲線図 PUMP PERFORMANCE CURVES

TYPE SUBMERSIBLE GENERAL DEWATERING PUMP 名称 一般工事排水用 水中ポンプ	MODEL 型式 KRS819-51	FREQUENCY 周波数 50 Hz
---	-----------------------	------------------------

CUSTOMER'S NAME  
御注文先 \_\_\_\_\_ 殿

EQUIPMENT TITLE  
機器名称 \_\_\_\_\_ NO. \_\_\_\_\_

	標準仕様 STANDARD SPECIFICATIONS	御注文仕様 REQUIRED SPECIFICATIONS
口径 : DISCHARGE BORE	200 mm	mm
全揚程 : TOTAL HEAD	20 / 15 m	m
吐出量 : CAPACITY	3 / 4 m <sup>3</sup> /min	m <sup>3</sup> /min
出力 : MOTOR OUTPUT	18.5 kW	kW
相×電圧 : PHASE × VOLTAGE	3 φ × 200 V	φ × V
電流 : CURRENT	71 A	A
極数: POLES / 回転数: REVOLUTION	4 P / S. S. 1500 min <sup>-1</sup>	P / min <sup>-1</sup>
始動方式 : STARTING METHOD	じか入始動 DIRECT ON LINE	
絶縁階級 : INSULATION CLASS	F	

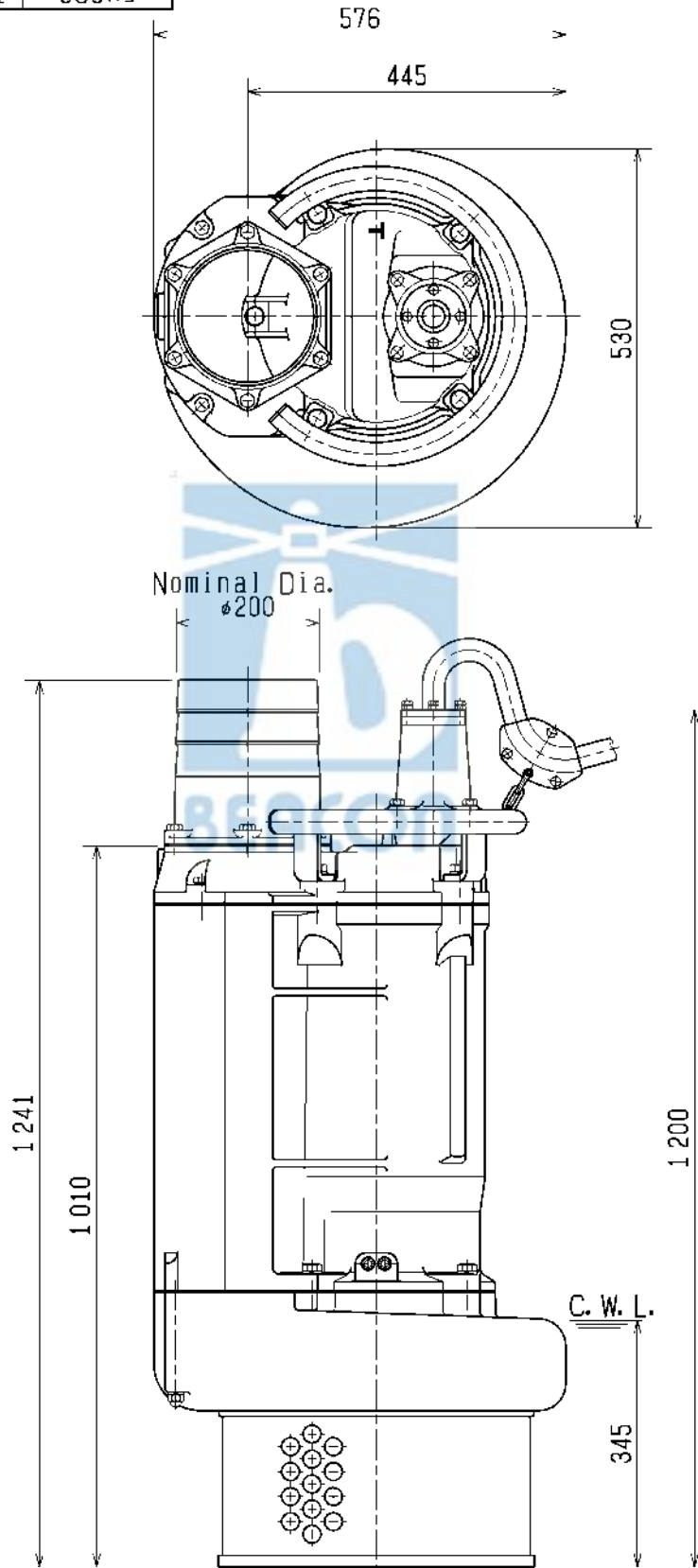


株式会社 鶴見製作所
TSURUMI MFG. CO., LTD.

<b>DIMENSION DRAWING</b>		No.	No. A-20753-1
TYPE	SUBMERSTIBLE GENERAL DEWATERING PUMP	MODEL	KRS819 -51/61 KRS822 -51/61 KRS822L -51/61

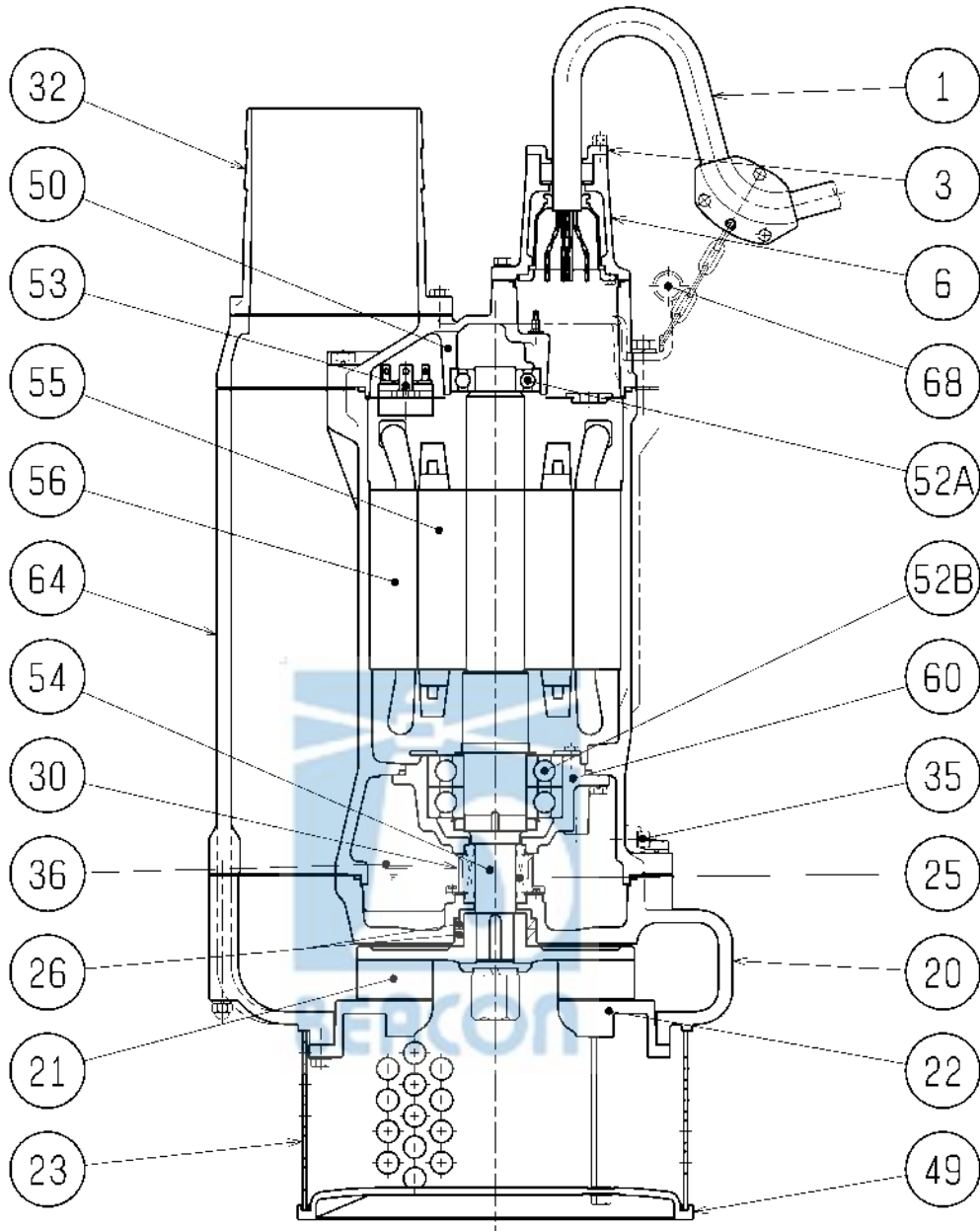
MODEL	Approximate Weight (※)
KRS819-51/61	360kg
KRS822-51/61	380kg
KRS822L-51/61	380kg

※excluding cable



C. W. L. :Continuous running Water Level

<b>SECTIONAL DRAWING</b>		No.	No. A-20756-2
TYPE	SUBMERSIBLE GENERAL DEWATERING PUMP	MODEL	KRS819 -51/61 KRS822 -51/61 KRS822L -51/61



REQ. SPECIFICATION

No.	DESCRIPTION	QTY	MATERIAL / NOTE	No.	DESCRIPTION	QTY	MATERIAL / NOTE
1	Cable	1	Chloroprene Sheath	49	Bottom Plate	1	Ductile Iron Casting
3	Gland	1	Gray Iron Casting	50	Motor Bracket	1	Gray Iron Casting
6	Stuffing Box	1	Gray Iron Casting	52A	Upper Bearing	1	6309ZZC3
20	Pump Casing	1	Gray Iron Casting	52B	Lower Bearing	1	6314ZZD2C3
21	Impeller	1	Ductile Iron Casting	53	Motor Protector	1	
22	Suction Cover	1	Gray Iron Casting	54	Shaft	1	Stainless Steel 420J2
23	Strainer	1	Steel Sheet	55	Rotor	1	
25	Mechanical Seal	1	H-45X	56	Stator	1	
26	Oil Seal	2	TC709212	60	Bearing Housing	1	Gray Iron Casting
30	Oil Lifter	1	Plastic	64	Motor Flame	1	Gray Iron Casting
32	Hose Coupling	1	Gray Iron Casting	68	Handle	1	Carbon Steel Pipe & Structure Steel
35	Oil Plug	2	Stainless Steel 304				
36	Lubricant		Turbine Oil (ISO VG32)				

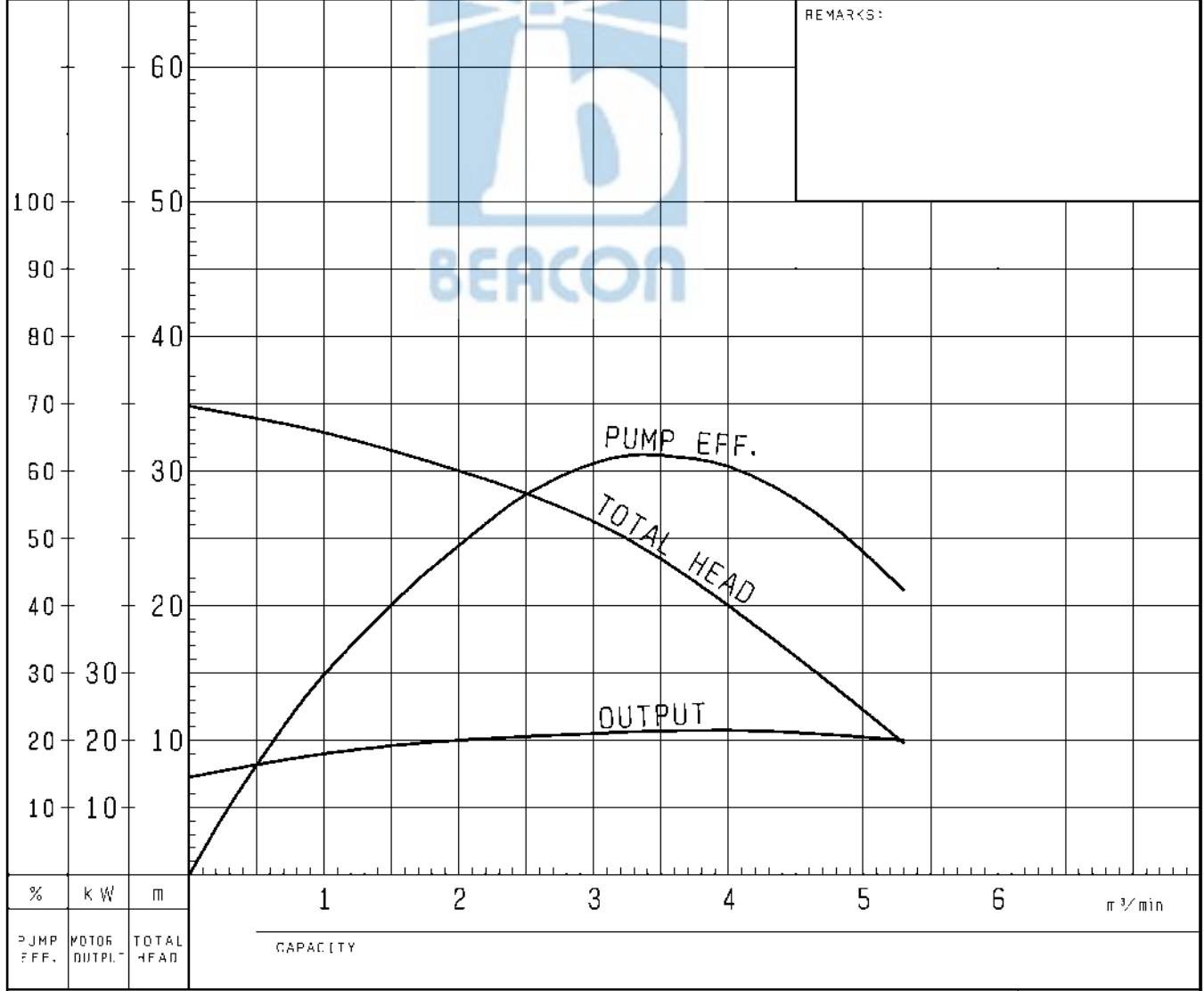
NO. A-20746-1

# PUMP PERFORMANCE CURVES

TYPE SUBMERSIBLE GENERAL DEWATERING PUMP      MODEL KRS822 -51      FREQUENCY 50 Hz

CUSTOMER'S NAME \_\_\_\_\_  
 EQUIPMENT TITLE \_\_\_\_\_ NO. \_\_\_\_\_

	STANDARD SPECIFICATIONS	REQUIRED SPECIFICATIONS
DISCHARGE BORE	200 mm	mm
TOTAL HEAD	30 / 20 m	m
CAPACITY	2 / 4 m <sup>3</sup> /min	m <sup>3</sup> /min
MOTOR OUTPUT	22 kW	kW
PHASE × VOLTAGE	3 φ × V	φ × V
CURRENT	A	A
POLES / REVOLUTION	4 P / S. S. 1500 min <sup>-1</sup>	P / min <sup>-1</sup>
STARTING METHOD	DIRECT ON LINE	
INSULATION CLASS	F	

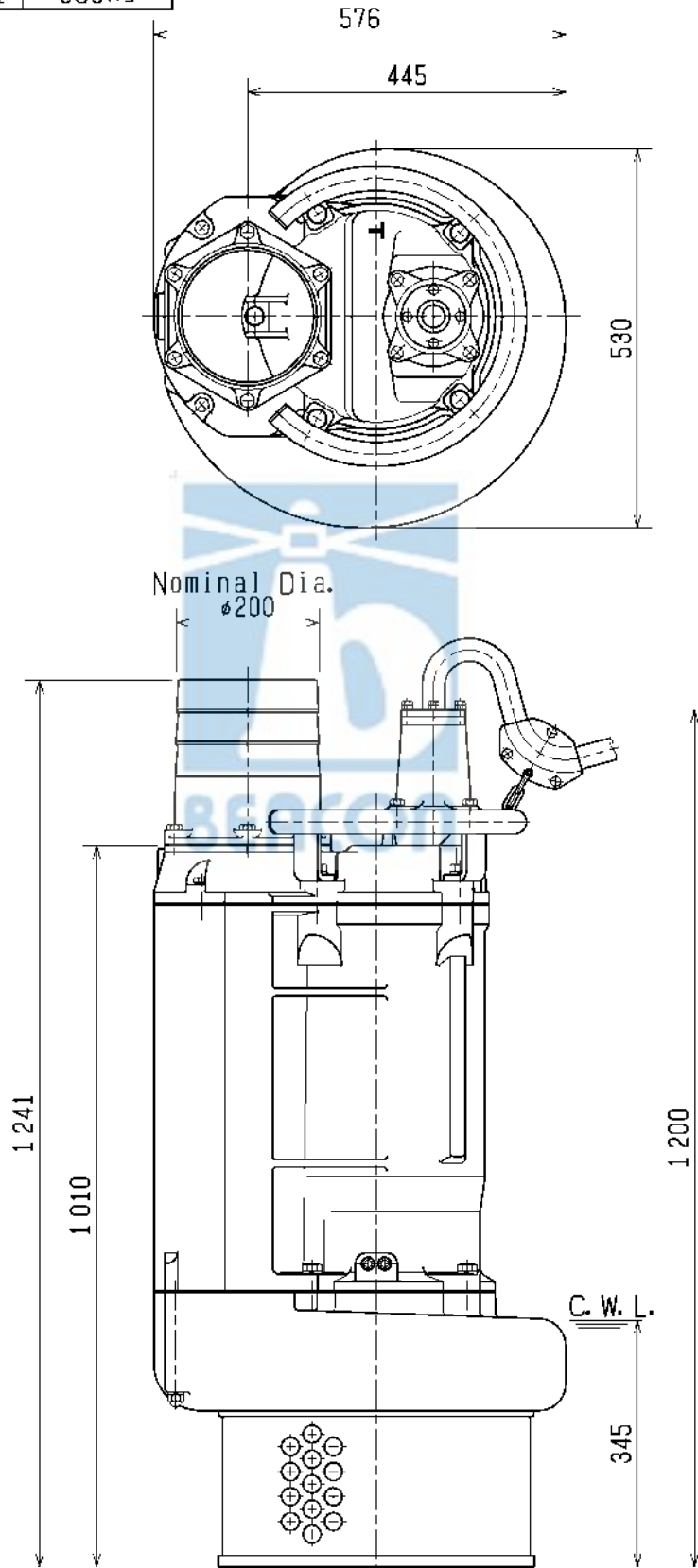


TSURUMI MFG. CO., LTD.

<b>DIMENSION DRAWING</b>		No.	No. A-20753-1
TYPE	SUBMERSTIBLE GENERAL DEWATERING PUMP	MODEL	KRS819 -51/61 KRS822 -51/61 KRS822L -51/61

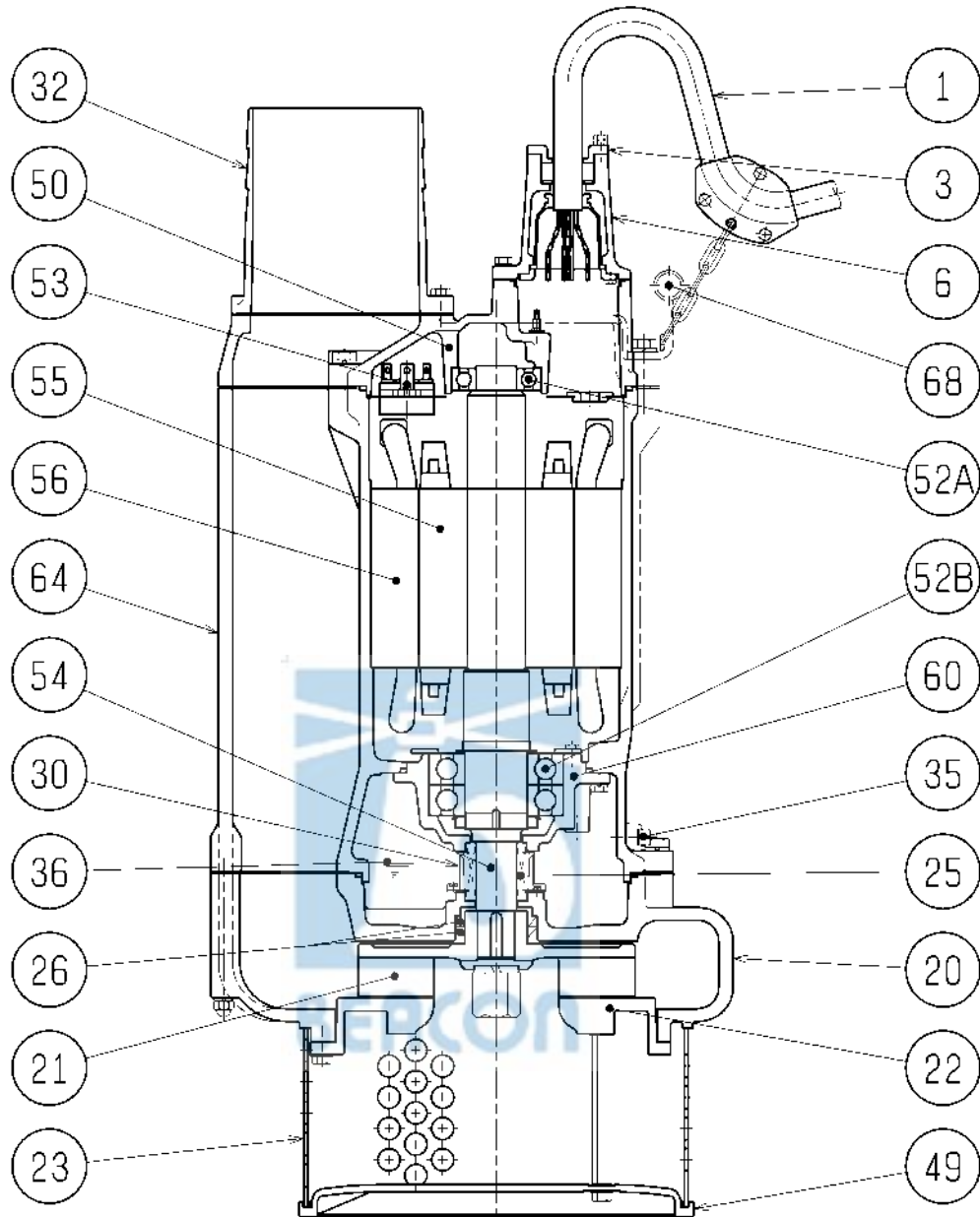
MODEL	Approximate Weight (※)
KRS819-51/61	360kg
KRS822-51/61	380kg
KRS822L-51/61	380kg

※excluding cable



C. W. L. :Continuous running Water Level

<b>SECTIONAL DRAWING</b>		No.	No. A-20756-2
TYPE	SUBMERSIBLE GENERAL DEWATERING PUMP	MODEL	KRS819 -51/61 KRS822 -51/61 KRS822L -51/61



REQ. SPECIFICATION

No.	DESCRIPTION	QTY	MATERIAL / NOTE	No.	DESCRIPTION	QTY	MATERIAL / NOTE
1	Cable	1	Chloroprene Sheath	49	Bottom Plate	1	Ductile Iron Casting
3	Gland	1	Gray Iron Casting	50	Motor Bracket	1	Gray Iron Casting
6	Stuffing Box	1	Gray Iron Casting	52A	Upper Bearing	1	6309ZZC3
20	Pump Casing	1	Gray Iron Casting	52B	Lower Bearing	1	6314ZZD2C3
21	Impeller	1	Ductile Iron Casting	53	Motor Protector	1	
22	Suction Cover	1	Gray Iron Casting	54	Shaft	1	Stainless Steel 420J2
23	Strainer	1	Steel Sheet	55	Rotor	1	
25	Mechanical Seal	1	H-45X	56	Stator	1	
26	Oil Seal	2	TC709212	60	Bearing Housing	1	Gray Iron Casting
30	Oil Lifter	1	Plastic	64	Motor Flame	1	Gray Iron Casting
32	Hose Coupling	1	Gray Iron Casting	68	Handle	1	Carbon Steel Pipe & Structure Steel
35	Oil Plug	2	Stainless Steel 304				
36	Lubricant		Turbine Oil (ISO VG32)				

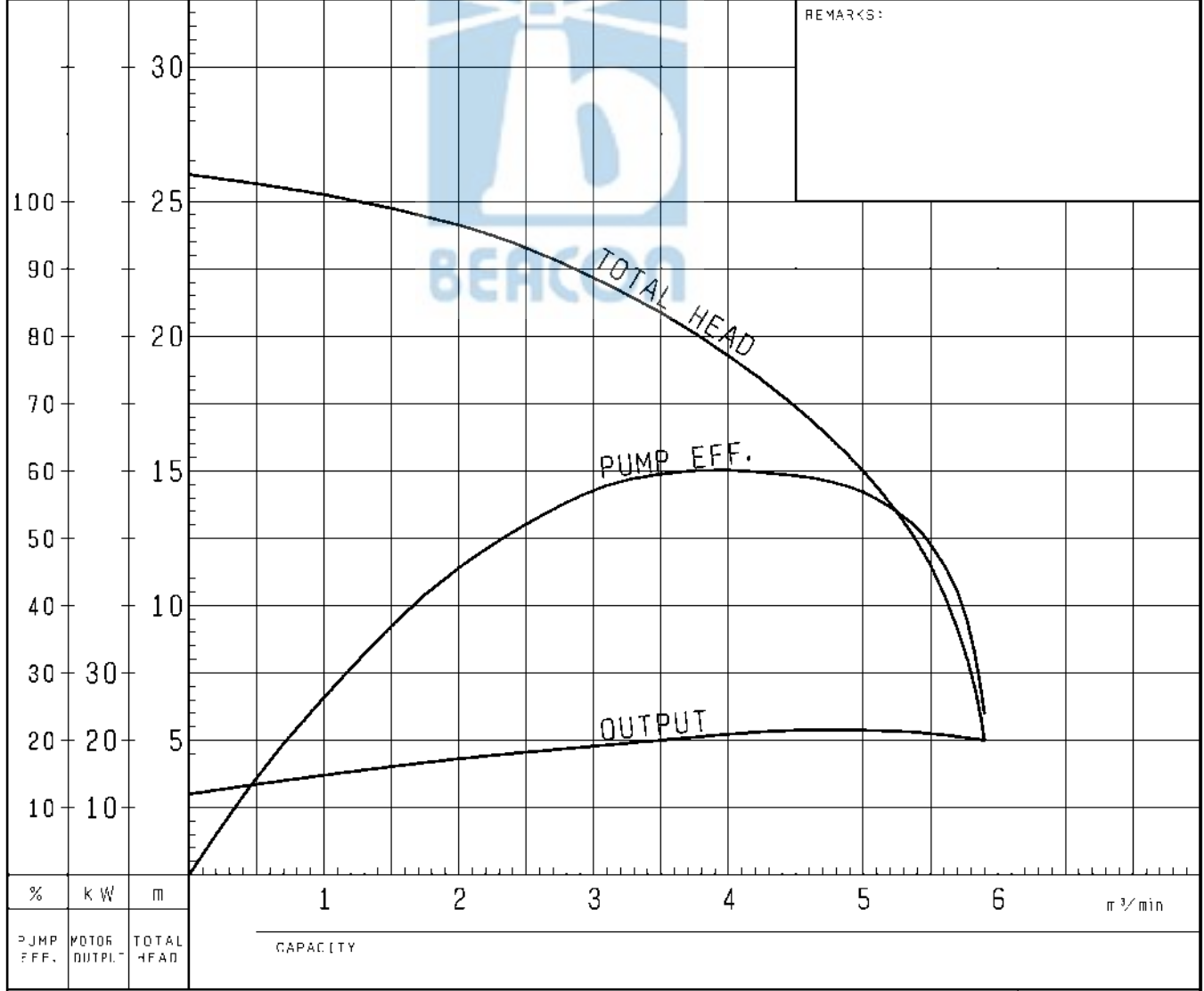
NO. A-20748-1

# PUMP PERFORMANCE CURVES

TYPE SUBMERSIBLE GENERAL DEWATERING PUMP      MODEL KRS822L -51      FREQUENCY 50 Hz

CUSTOMER'S NAME \_\_\_\_\_  
 EQUIPMENT TITLE \_\_\_\_\_ NO. \_\_\_\_\_

	STANDARD SPECIFICATIONS	REQUIRED SPECIFICATIONS
DISCHARGE BORE	200 mm	mm
TOTAL HEAD	15 m	m
CAPACITY	5 m <sup>3</sup> /min	m <sup>3</sup> /min
MOTOR OUTPUT	22 kW	kW
PHASE × VOLTAGE	3 φ × V	φ × V
CURRENT	A	A
POLES / REVOLUTION	4 P / S. S. 1500 min <sup>-1</sup>	P / min <sup>-1</sup>
STARTING METHOD	DIRECT ON LINE	
INSULATION CLASS	F	

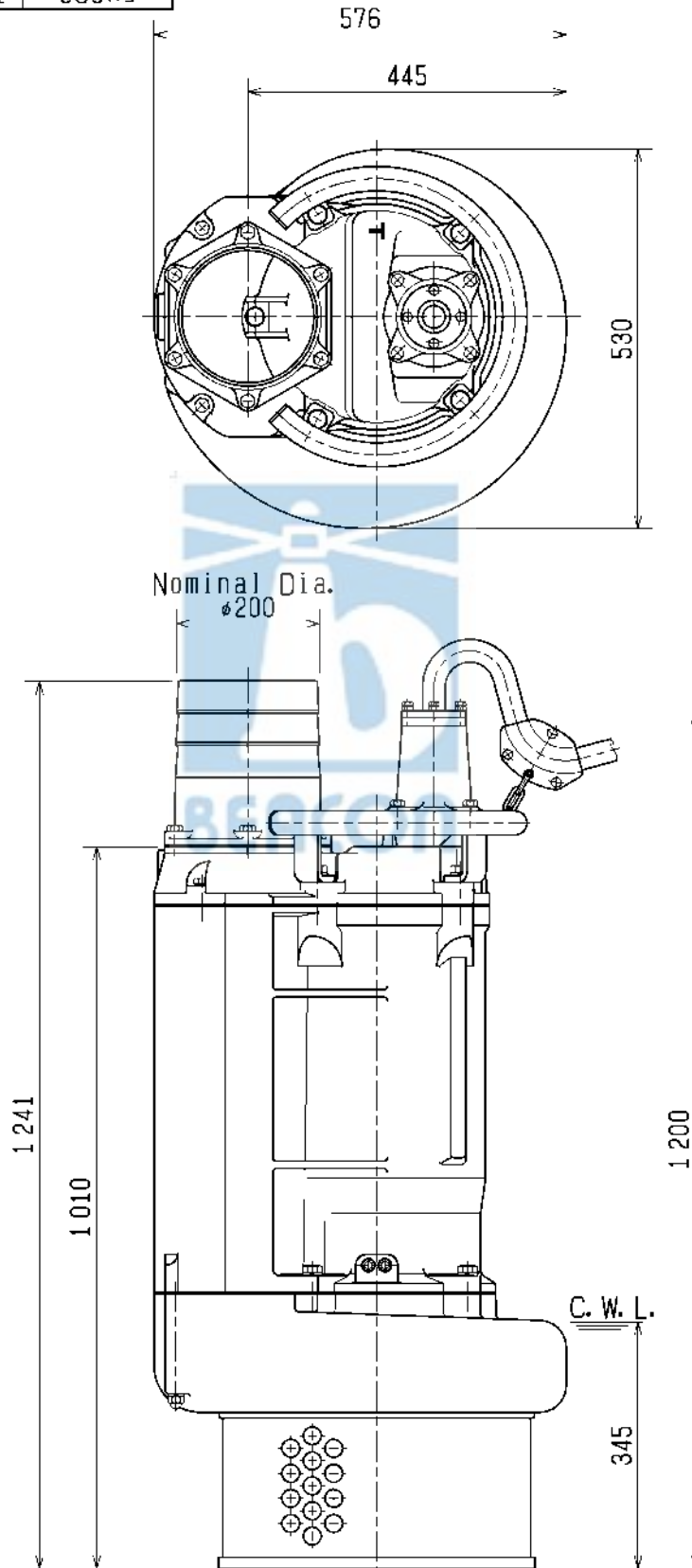


TSURUMI MFG. CO., LTD.

<b>DIMENSION DRAWING</b>		No.	No. A-20753-1
TYPE	SUBMERSTIBLE GENERAL DEWATERING PUMP	MODEL	KRS819 -51/61 KRS822 -51/61 KRS822L -51/61

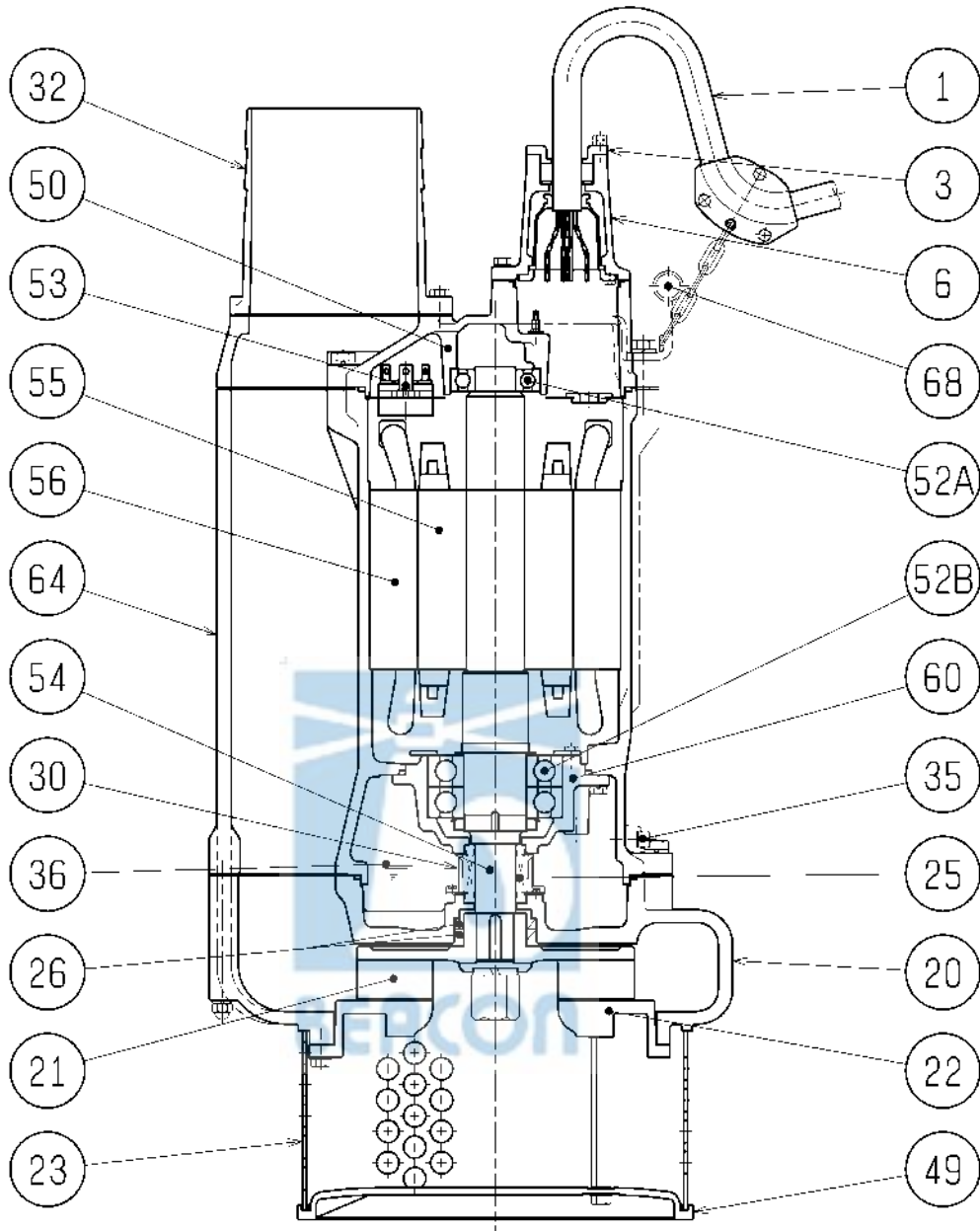
MODEL	Approximate Weight (※)
KRS819-51/61	360kg
KRS822-51/61	380kg
KRS822L-51/61	380kg

※excluding cable



C. W. L. :Continuous running Water Level

<b>SECTIONAL DRAWING</b>		No.	No. A-20756-2
TYPE	SUBMERSIBLE GENERAL DEWATERING PUMP	MODEL	KRS819 -51/61 KRS822 -51/61 KRS822L -51/61



REQ. SPECIFICATION

No.	DESCRIPTION	QTY	MATERIAL / NOTE	No.	DESCRIPTION	QTY	MATERIAL / NOTE
1	Cable	1	Chloroprene Sheath	49	Bottom Plate	1	Ductile Iron Casting
3	Gland	1	Gray Iron Casting	50	Motor Bracket	1	Gray Iron Casting
6	Stuffing Box	1	Gray Iron Casting	52A	Upper Bearing	1	6309ZZC3
20	Pump Casing	1	Gray Iron Casting	52B	Lower Bearing	1	6314ZZD2C3
21	Impeller	1	Ductile Iron Casting	53	Motor Protector	1	
22	Suction Cover	1	Gray Iron Casting	54	Shaft	1	Stainless Steel 420J2
23	Strainer	1	Steel Sheet	55	Rotor	1	
25	Mechanical Seal	1	H-45X	56	Stator	1	
26	Oil Seal	2	TC709212	60	Bearing Housing	1	Gray Iron Casting
30	Oil Lifter	1	Plastic	64	Motor Flame	1	Gray Iron Casting
32	Hose Coupling	1	Gray Iron Casting	68	Handle	1	Carbon Steel Pipe & Structure Steel
35	Oil Plug	2	Stainless Steel 304				
36	Lubricant		Turbine Oil (ISO VG32)				

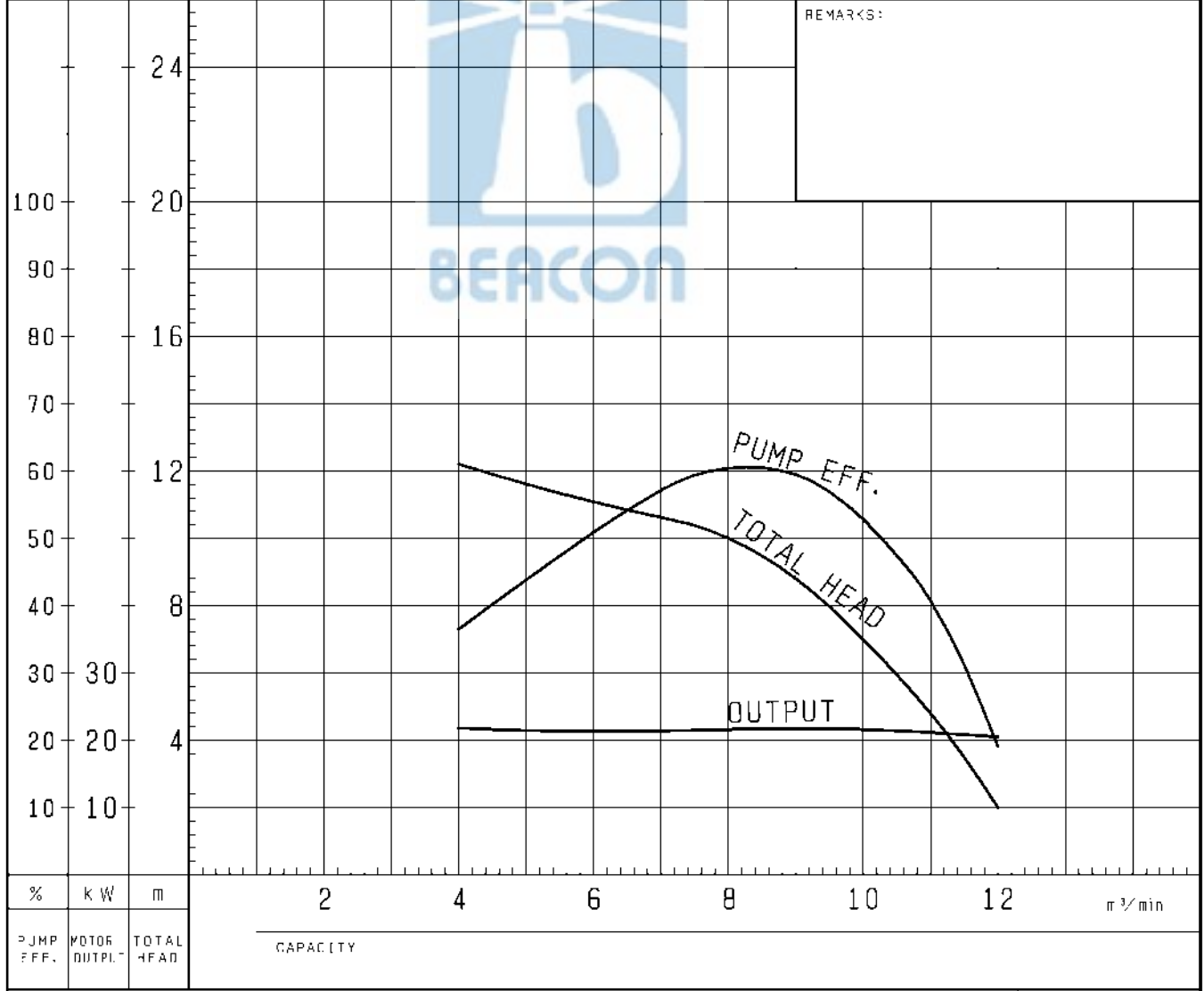
NO. A-20750-1

# PUMP PERFORMANCE CURVES

TYPE SUBMERSIBLE GENERAL DEWATERING PUMP      MODEL KRS1022 -51      FREQUENCY 50 Hz

CUSTOMER'S NAME \_\_\_\_\_  
 EQUIPMENT TITLE \_\_\_\_\_ NO. \_\_\_\_\_

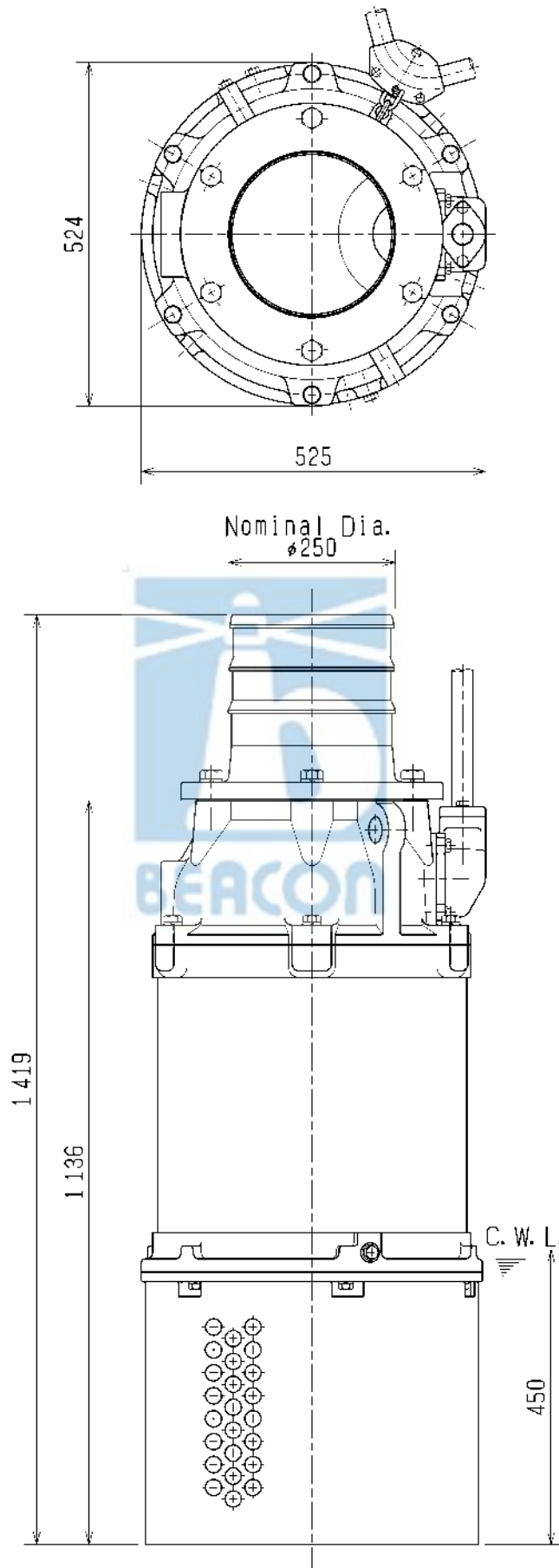
	STANDARD SPECIFICATIONS	REQUIRED SPECIFICATIONS
DISCHARGE BORE	250 mm	mm
TOTAL HEAD	10 m	m
CAPACITY	8 m <sup>3</sup> /min	m <sup>3</sup> /min
MOTOR OUTPUT	22 kW	kW
PHASE × VOLTAGE	3 φ × V	φ × V
CURRENT	A	A
POLES / REVOLUTION	4 P / S. S. 1500 min <sup>-1</sup>	P / min <sup>-1</sup>
STARTING METHOD	DIRECT ON LINE	
INSULATION CLASS	F	



TSURUMI MFG. CO., LTD.

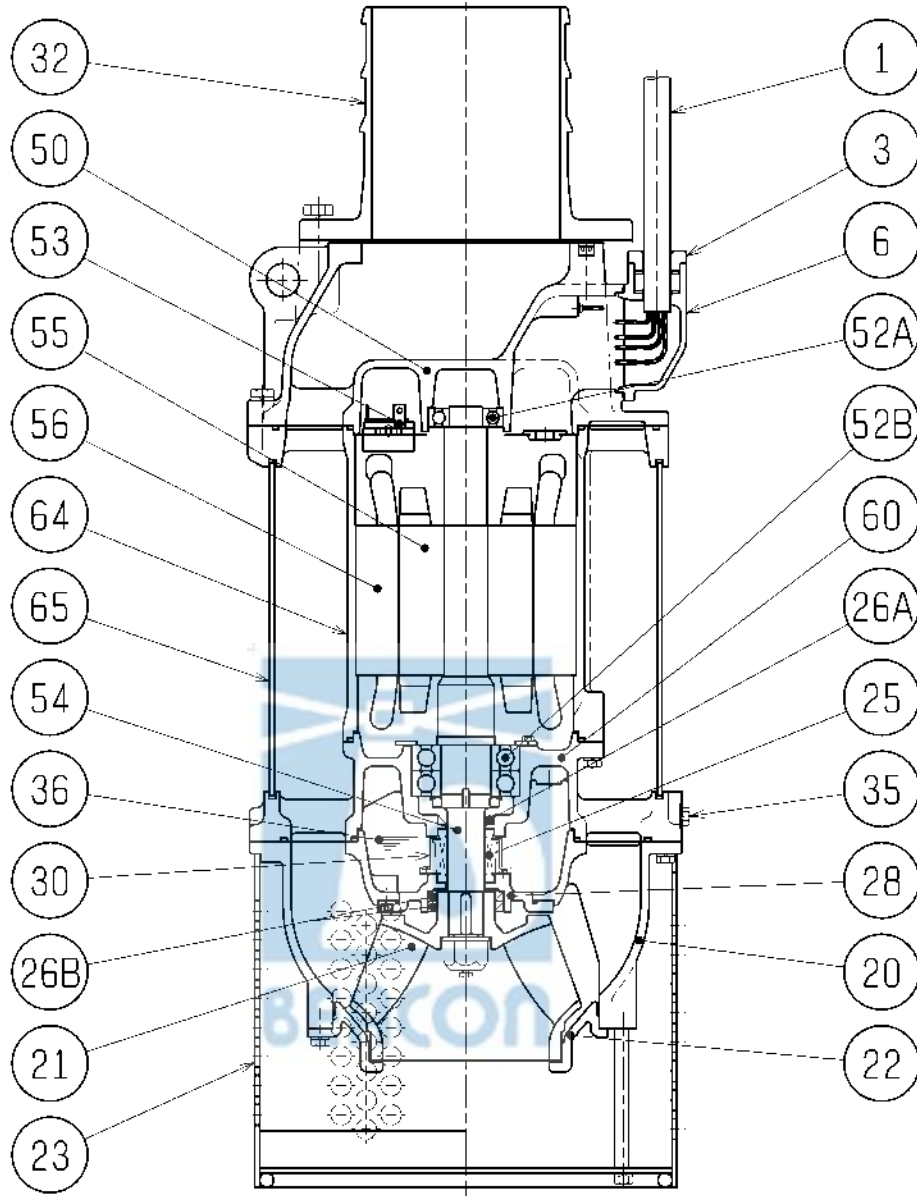
<b>DIMENSION DRAWING</b>		No.	No.	A-20754-1
TYPE	SUBMERSIBLE GENERAL DEWATERING PUMP	MODEL	KRS1022 -51/61	

Approximate Weight (※)  
390kg  
※excluding cable



C. W. L. :Continuous running Water Level

<b>SECTIONAL DRAWING</b>		No.	No.	A-20757-2
TYPE	SUBMERSIBLE GENERAL DEWATERING PUMP	MODEL	KRS1022 -51/61	



REQ. SPECIFICATION

No.	DESCRIPTION	QTY	MATERIAL / NOTE	No.	DESCRIPTION	QTY	MATERIAL / NOTE
1	Cable	1	Chloroprene Sheath	36	Lubricant		Turbine Oil (ISO VG32)
3	Gland	1	Gray Iron Casting	50	Motor Bracket	1	Gray Iron Casting
6	Stuffing Box	1	Gray Iron Casting	52A	Upper Bearing	1	6308ZC3
20	Pump Casing	1	Gray Iron Casting	52B	Lower Bearing	1	6312ZZD2C3
21	Impeller	1	Ductile Iron Casting	53	Motor Protector	1	
22	Suction Cover	1	Gray Iron Casting	54	Shaft	1	Stainless Steel 420J2
23	Strainer Stand	1	Structure Steel	55	Rotor	1	
25	Mechanical Seal	1	H-45X	56	Stator	1	
26A	Oil Seal	1	TC456812	60	Bearing Housing	1	Gray Iron Casting
26B	Oil Seal	2	TC709212	64	Motor Frame	1	Gray Iron Casting
28	Seal Housing	1	Gray Iron Casting	65	Outer Cover	1	Structure Steel
30	Oil Lifter	1	Plastic				
32	Hose Coupling	1	Gray Iron Casting				
35	Oil Plug	3	Stainless Steel 304				

NO. A-22175-1

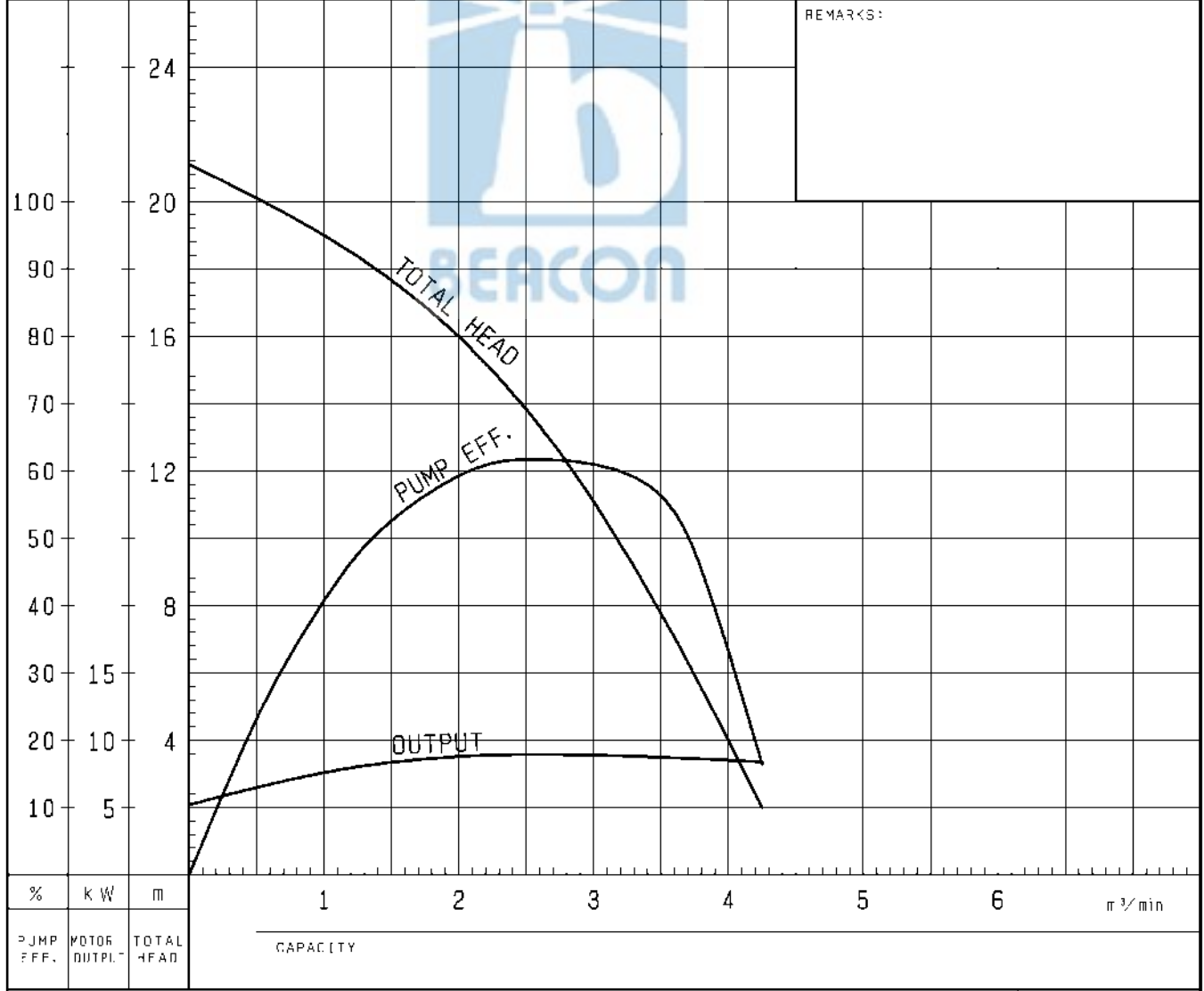
# PUMP PERFORMANCE CURVES

TYPE Submersible Dewatering Pump	MODEL KRS2-69	FREQUENCY 50 Hz
-------------------------------------	------------------	--------------------

CUSTOMER'S NAME \_\_\_\_\_

EQUIPMENT TITLE \_\_\_\_\_ NO. \_\_\_\_\_

	STANDARD SPECIFICATIONS	REQUIRED SPECIFICATIONS
DISCHARGE BORE	150 mm	mm
TOTAL HEAD	16 m	m
CAPACITY	2.0 m <sup>3</sup> /min	m <sup>3</sup> /min
MOTOR OUTPUT	9.0 kW	kW
PHASE × VOLTAGE	3 φ × V	φ × V
CURRENT	A	A
POLES / REVOLUTION	4 P / S. S. 1500 min <sup>-1</sup>	P / min <sup>-1</sup>
STARTING METHOD	DIRECT ON LINE	
INSULATION CLASS	B	

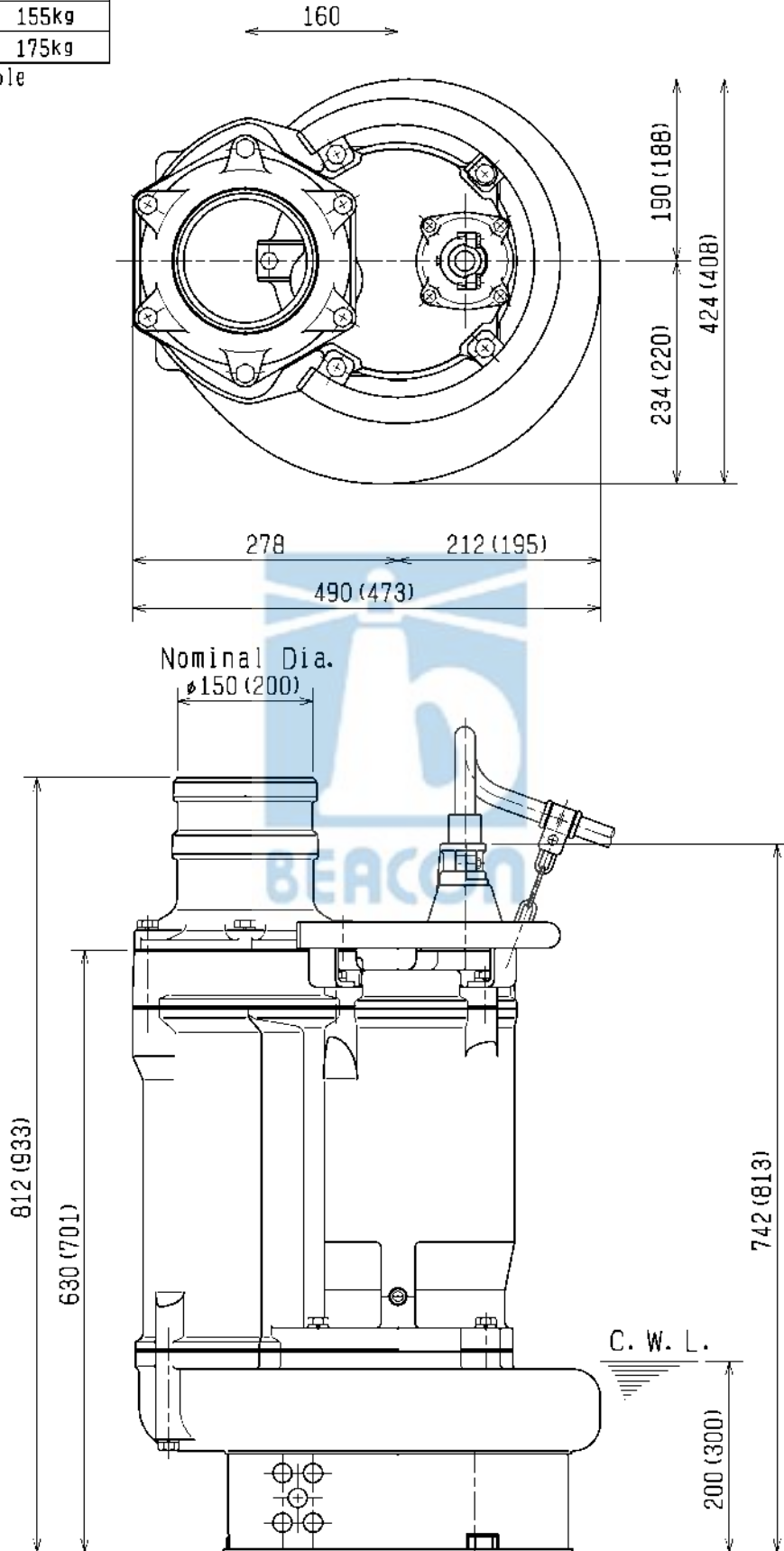


**TSURUMI MFG. CO., LTD.**

<b>DIMENSION DRAWING</b>		No.	No. A-22185-1
TYPE	Submersible Dewatering Pump	MODEL	KRS2-69/89

MODEL	Approximate Weight (※)
KRS2-69	155kg
KRS2-89	175kg

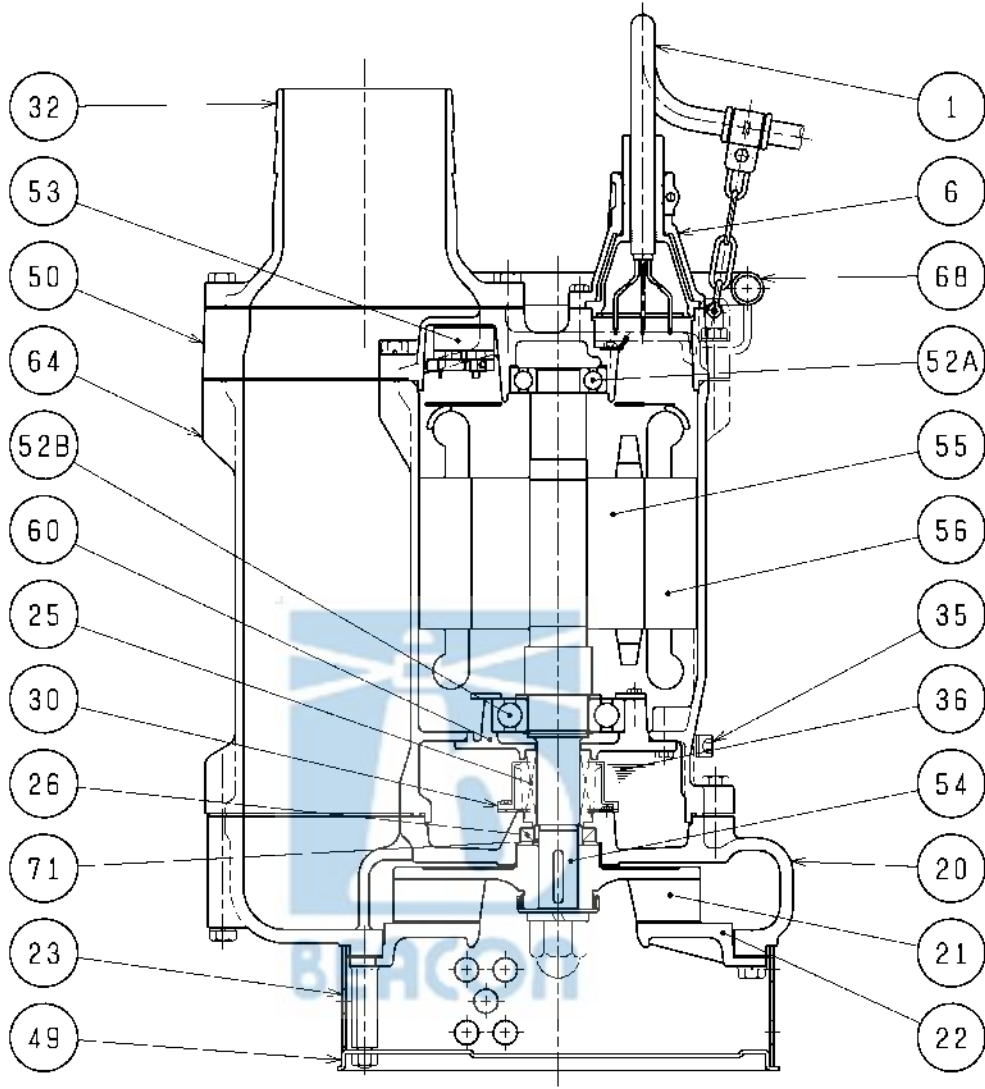
※excluding cable



The Figure in ( ) shows the dimensions of KRS2-89.

C. W. L. :Continuous running Water Level

<b>SECTIONAL DRAWING</b>		No.	No. A-22192-1
TYPE	Submersible Dewatering Pump	MODEL	KRS2-69 KRS2-89



REQ. SPECIFICATION

No.	DESCRIPTION	QTY	MATERIAL / NOTE	No.	DESCRIPTION	QTY	MATERIAL / NOTE
1	Cabtyre Cable	1	Chloroprene Sheath	50	Motor Bracket	1	Gray Iron Casting
6	Stuffing Box	1	Gray Iron Casting	52A	Upper Bearing	1	6307ZZC3
20	Pump Casing	1	Gray Iron Casting	52B	Lower Bearing	1	6310ZZC3
21	Impeller	1	Ductile Iron Casting (Quenching)	53	Motor Protector	1	
22	Suction Cover	1	Gray Iron Casting	54	Shaft	1	Stainless Steel 420J2
23	Strainer	1	Steel Sheet	55	Rotor	1	
25	Mechanical Seal	1	H-35	56	Stator	1	
26	Oil Seal	1	TC406211	60	Bearing Housing	1	Gray Iron Casting
30	Oil Lifter	1	Plastic	64	Motor Frame	1	Gray Iron Casting
32	Hose Coupling	1	Gray Iron Casting	68	Handle	1	Carbon Steel Pipe & Steel Sheet
35	Oil Plug	1	Stainless Steel 304	71	Shaft Sleeve	1	Stainless Steel 403
36	Lubricant		Turbine Oil (ISO VG32)				
49	Bottom Plate	1	Steel Sheet				

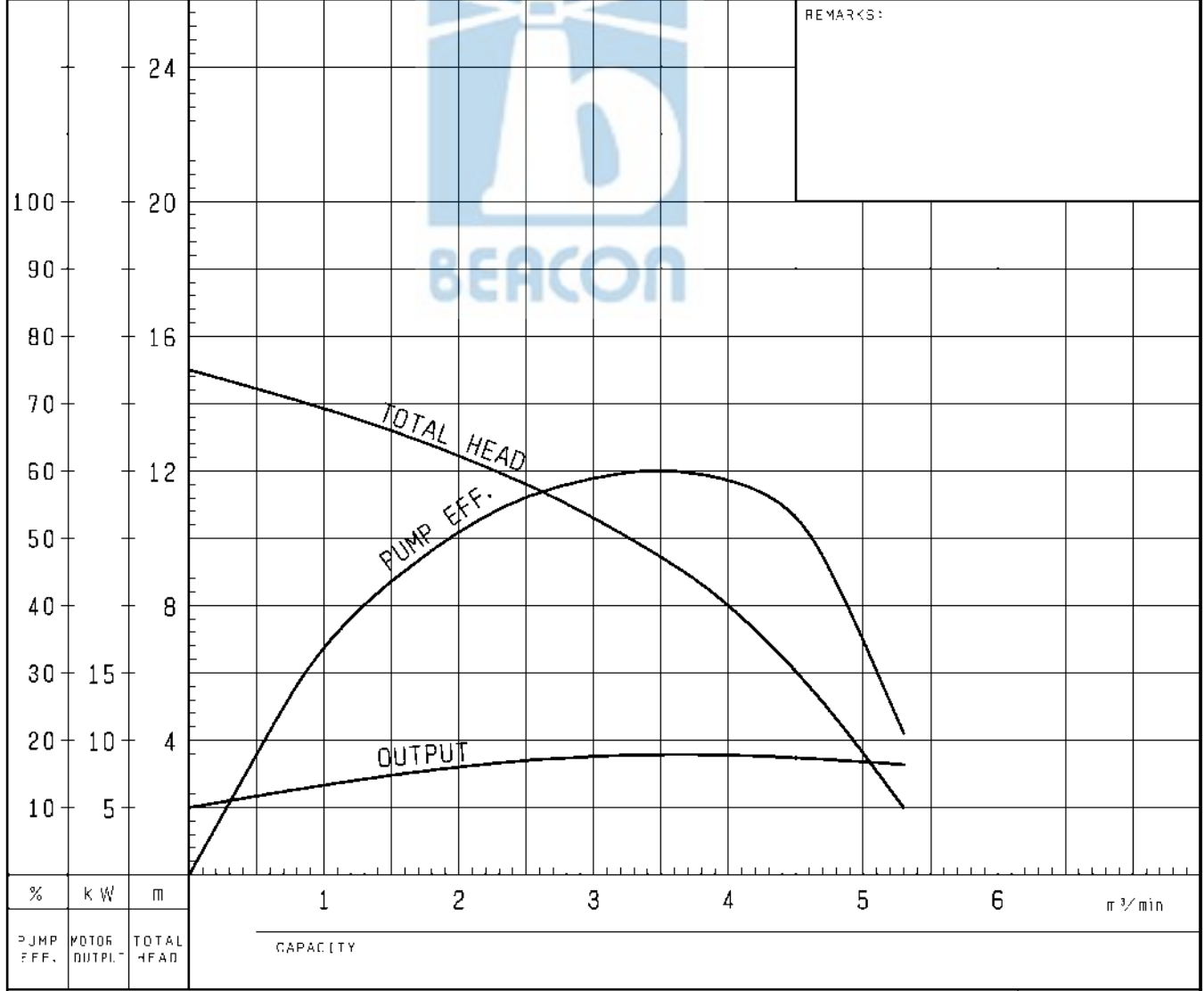
NO. A-22177-1

# PUMP PERFORMANCE CURVES

TYPE **Submersible Dewatering Pump**      MODEL **KRS2-89**      FREQUENCY **50** Hz

CUSTOMER'S NAME \_\_\_\_\_  
 EQUIPMENT TITLE \_\_\_\_\_ NO. \_\_\_\_\_

	STANDARD SPECIFICATIONS	REQUIRED SPECIFICATIONS
DISCHARGE BORE	200 mm	mm
TOTAL HEAD	8 m	m
CAPACITY	4.0 m <sup>3</sup> /min	m <sup>3</sup> /min
MOTOR OUTPUT	9.0 kW	kW
PHASE × VOLTAGE	3 φ × V	φ × V
CURRENT	A	A
POLES / REVOLUTION	4 P / S. S. 1500 min <sup>-1</sup>	P / min <sup>-1</sup>
STARTING METHOD	DIRECT ON LINE	
INSULATION CLASS	B	

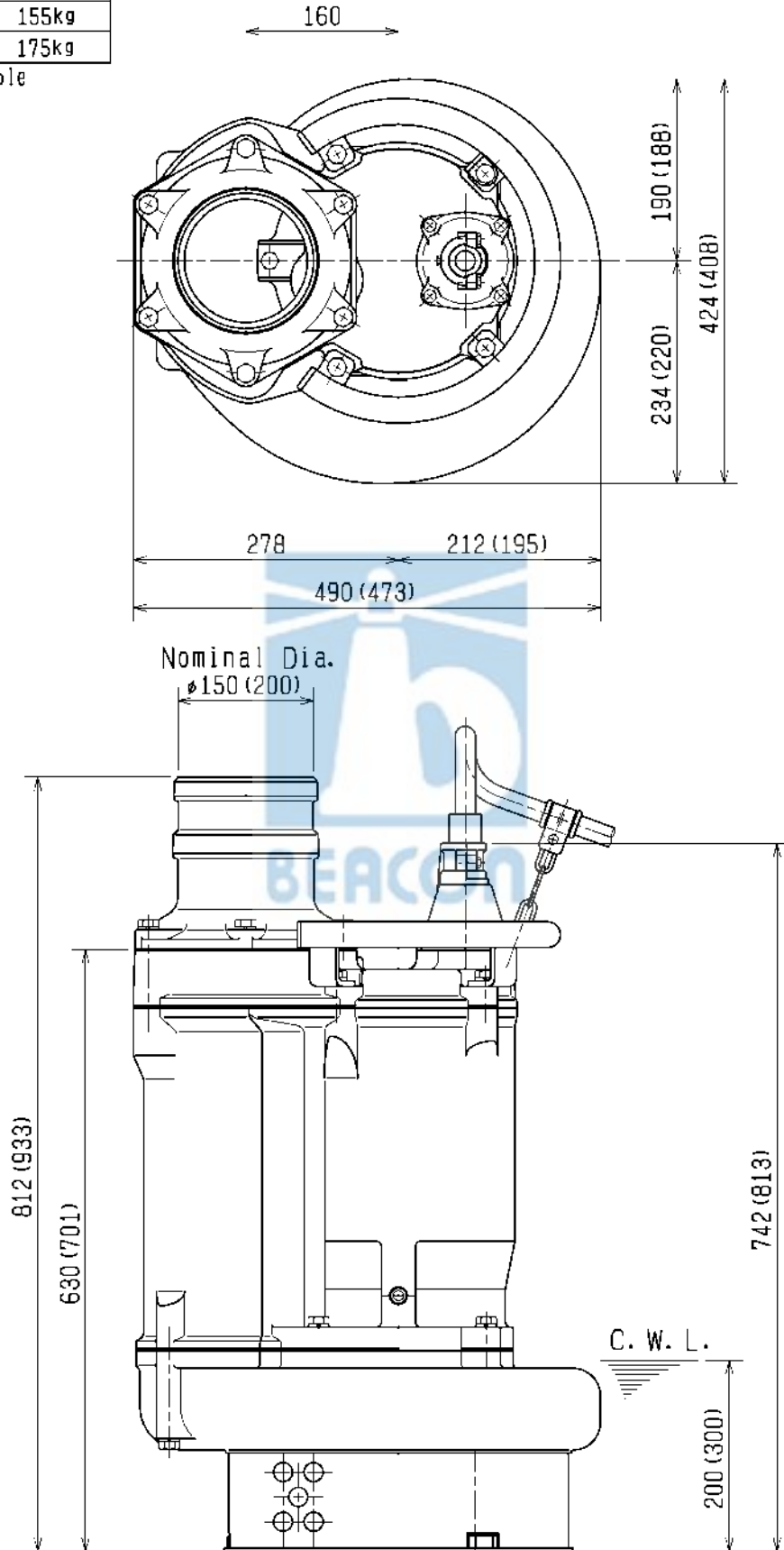


**TSURUMI MFG. CO., LTD.**

<b>DIMENSION DRAWING</b>		No.	No. A-22185-1
TYPE	Submersible Dewatering Pump	MODEL	KRS2-69/89

MODEL	Approximate Weight (kg)
KRS2-69	155kg
KRS2-89	175kg

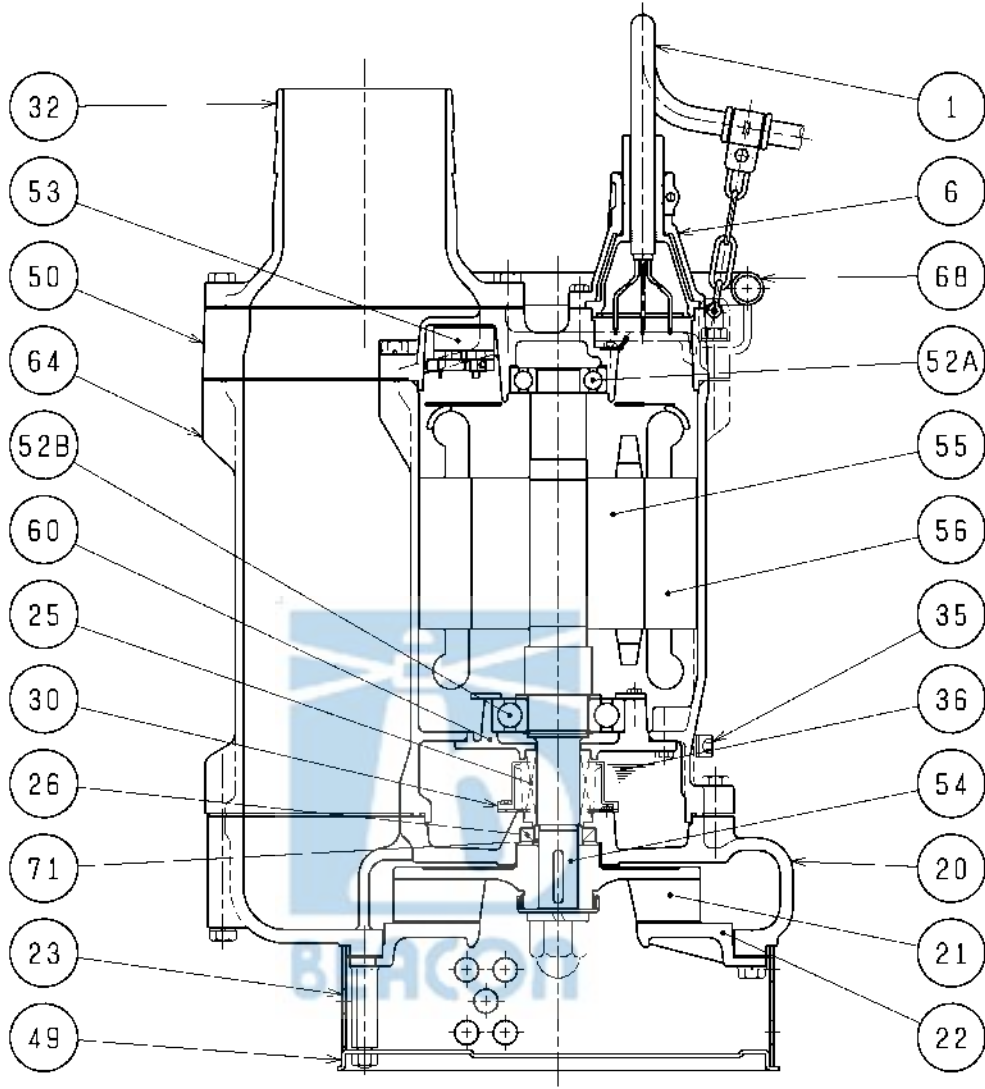
\*excluding cable



The Figure in ( ) shows the dimensions of KRS2-89.

C. W. L. :Continuous running Water Level

<b>SECTIONAL DRAWING</b>		No.	No. A-22192-1
TYPE	Submersible Dewatering Pump	MODEL	KRS2-69 KRS2-89



REQ. SPECIFICATION

No.	DESCRIPTION	QTY	MATERIAL / NOTE	No.	DESCRIPTION	QTY	MATERIAL / NOTE
1	Cable	1	Chloroprene Sheath	50	Motor Bracket	1	Gray Iron Casting
6	Stuffing Box	1	Gray Iron Casting	52A	Upper Bearing	1	6307ZZC3
20	Pump Casing	1	Gray Iron Casting	52B	Lower Bearing	1	6310ZZC3
21	Impeller	1	Ductile Iron Casting (Quenching)	53	Motor Protector	1	
22	Suction Cover	1	Gray Iron Casting	54	Shaft	1	Stainless Steel 420J2
23	Strainer	1	Steel Sheet	55	Rotor	1	
25	Mechanical Seal	1	H-35	56	Stator	1	
26	Oil Seal	1	TC406211	60	Bearing Housing	1	Gray Iron Casting
30	Oil Lifter	1	Plastic	64	Motor Frame	1	Gray Iron Casting
32	Hose Coupling	1	Gray Iron Casting	68	Handle	1	Carbon Steel Pipe & Steel Sheet
35	Oil Plug	1	Stainless Steel 304	71	Shaft Sleeve	1	Stainless Steel 403
36	Lubricant		Turbine Oil (ISO VG32)				
49	Bottom Plate	1	Steel Sheet				

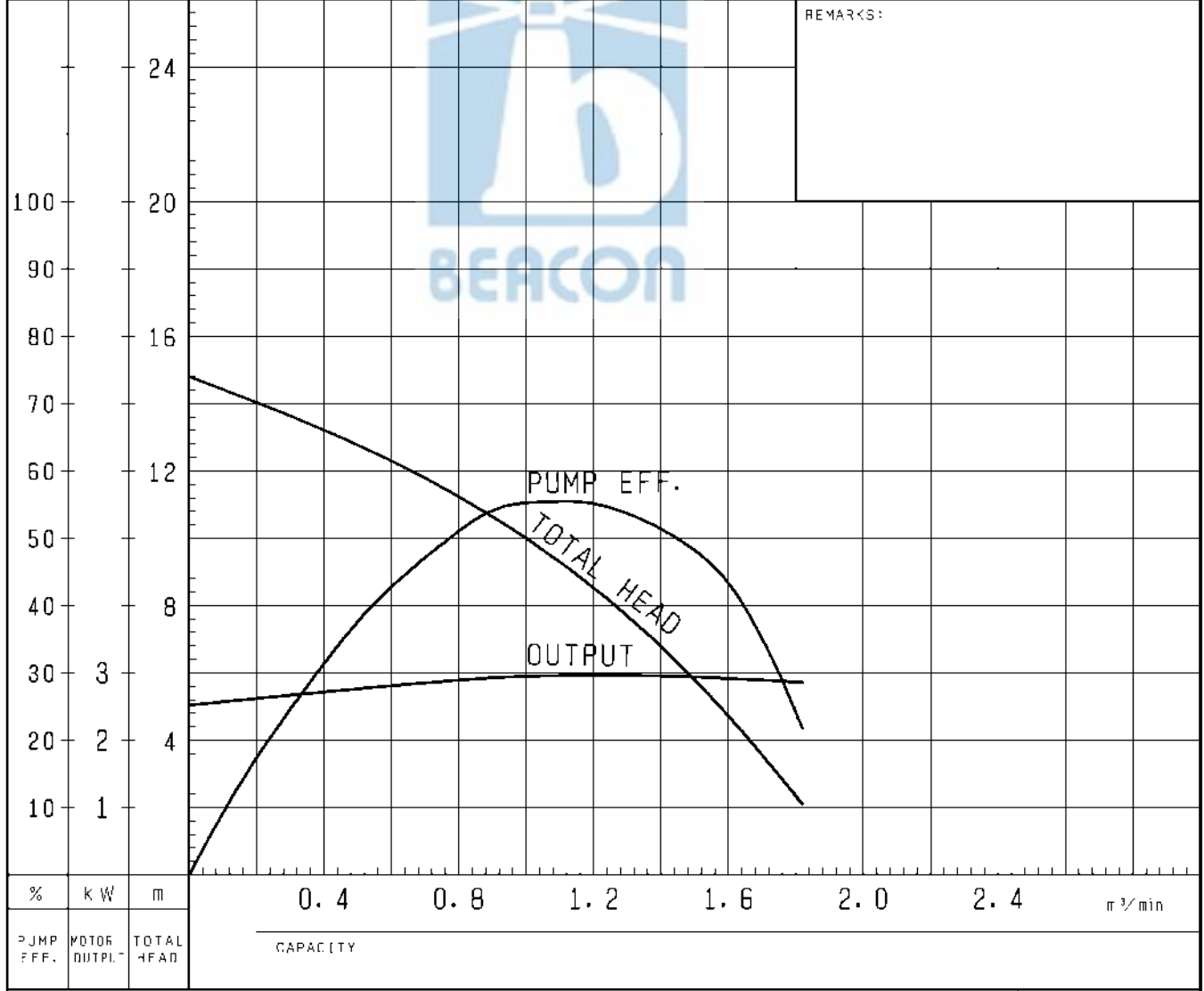
NO. A-22153-1

# PUMP PERFORMANCE CURVES

TYPE **Submersible Dewatering Pump**      MODEL **KRS-43**      FREQUENCY **50** Hz

CUSTOMER'S NAME \_\_\_\_\_  
 EQUIPMENT TITLE \_\_\_\_\_ NO. \_\_\_\_\_

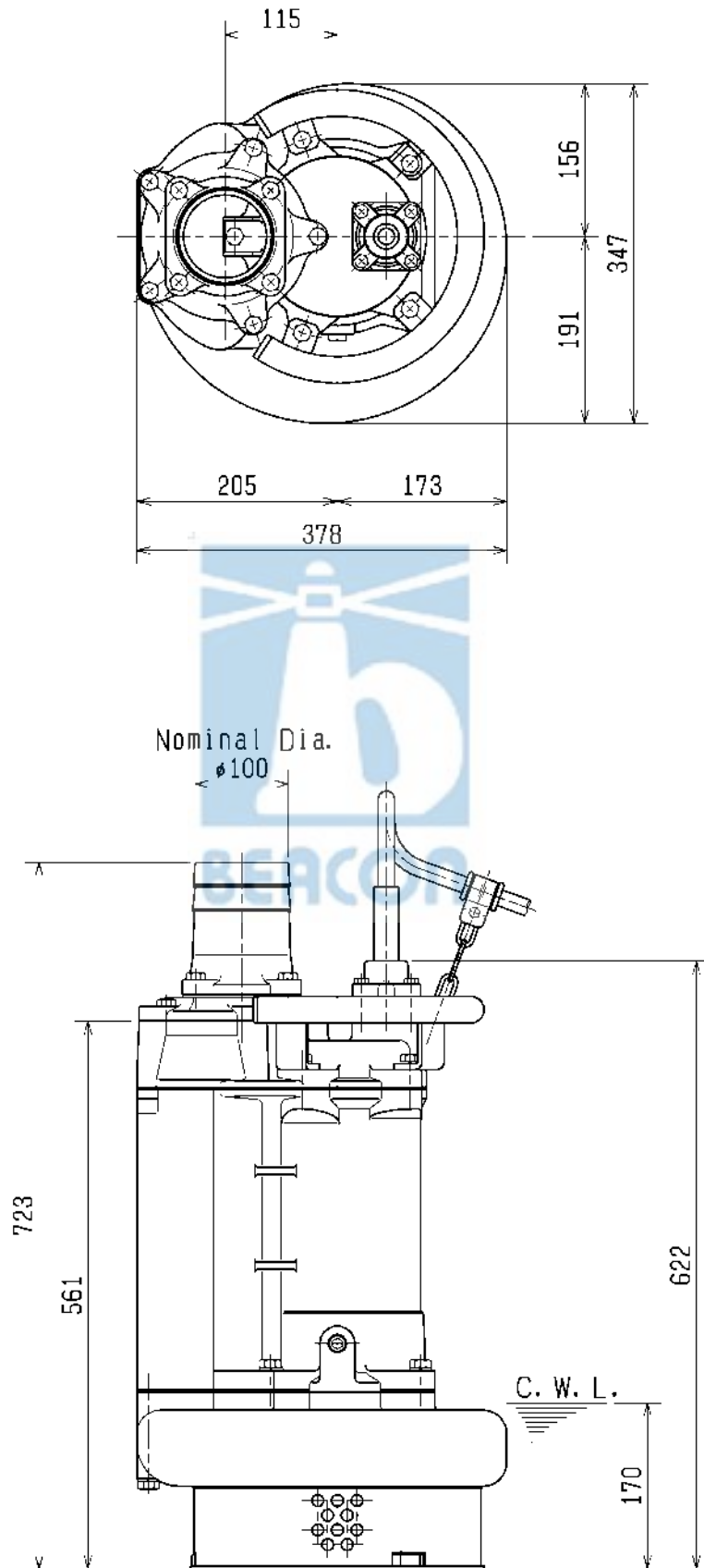
	STANDARD SPECIFICATIONS	REQUIRED SPECIFICATIONS
DISCHARGE BORE	100 mm	mm
TOTAL HEAD	10 m	m
CAPACITY	1.0 m <sup>3</sup> /min	m <sup>3</sup> /min
MOTOR OUTPUT	3.0 kW	kW
PHASE × VOLTAGE	3 φ × V	φ × V
CURRENT	A	A
POLES / REVOLUTION	4 P / S. S. 1500 min <sup>-1</sup>	P / min <sup>-1</sup>
STARTING METHOD	DIRECT ON LINE	
INSULATION CLASS	E	



**TSURUMI MFG. CO., LTD.**

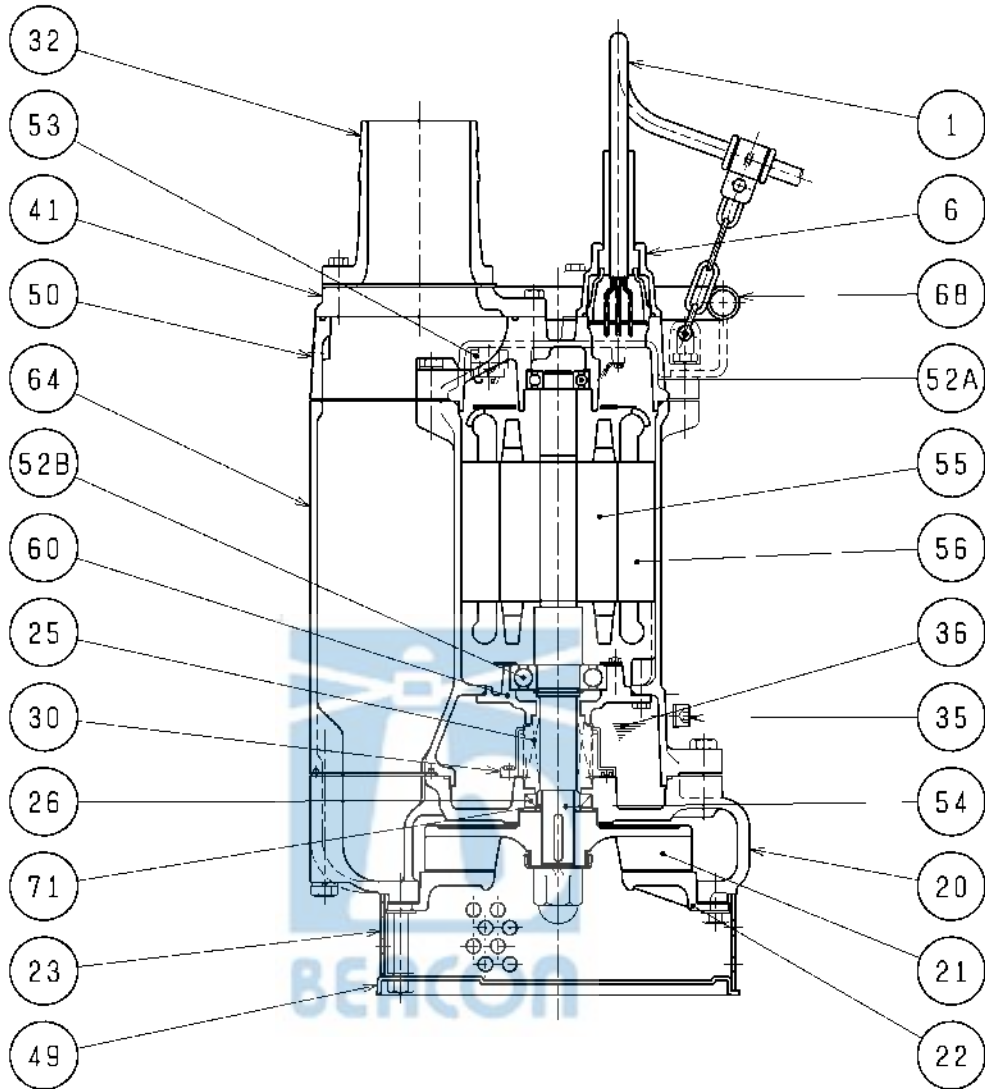
<b>DIMENSION DRAWING</b>		No.	No. A-22179-1
TYPE	Submersible Dewatering Pump	MODEL	KRS-43

Approximate Weight (※)  
95 kg  
※excluding cable



C. W. L. :Continuous running Water Level

<b>SECTIONAL DRAWING</b>		No.	No. A-22186-1
TYPE	Submersible Dewatering Pump	MODEL	KRS-43



REQ. SPECIFICATION

No.	DESCRIPTION	QTY	MATERIAL / NOTE	No.	DESCRIPTION	QTY	MATERIAL / NOTE
1	Cable	1	Chloroprene Sheath	50	Motor Bracket	1	Gray Iron Casting
6	Stuffing Box	1	Gray Iron Casting	52A	Upper Bearing	1	6205ZZC3
20	Pump Casing	1	Gray Iron Casting	52B	Lower Bearing	1	6307ZZC3
21	Impeller	1	Ductile Iron Casting (Quenching)	53	Motor Protector	1	
22	Suction Cover	1	Gray Iron Casting	54	Shaft	1	Stainless Steel 420J2
23	Strainer	1	Steel Sheet	55	Rotor	1	
25	Mechanical Seal	1	H-30	56	Stator	1	
26	Oil Seal	1	TC355511	60	Bearing Housing	1	Gray Iron Casting
30	Oil Lifter	1	Plastic	64	Motor Frame	1	Gray Iron Casting
32	Hose Coupling	1	Gray Iron Casting	68	Handle	1	Carbon Steel Pipe & Steel Sheet
35	Oil Plug	1	Stainless Steel 304	71	Shaft Sleeve	1	Stainless Steel 403
36	Lubricant		Turbine Oil (ISO VG32)				
41	Flange	1	Gray Iron Casting				
49	Bottom Plate	1	Steel Sheet				

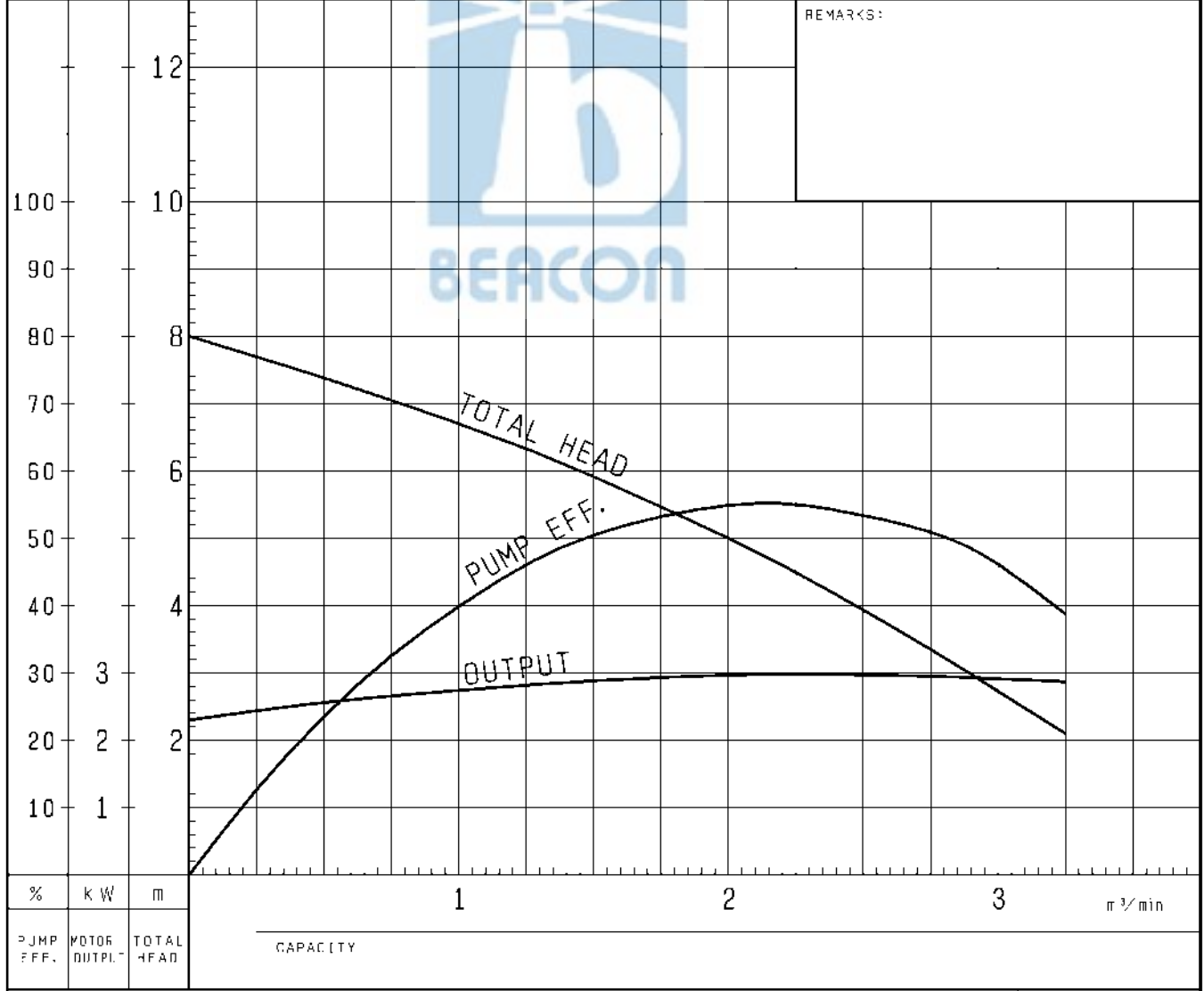
NO. A-22155-1

# PUMP PERFORMANCE CURVES

TYPE **Submersible Dewatering Pump**      MODEL **KRS-63**      FREQUENCY **50** Hz

CUSTOMER'S NAME \_\_\_\_\_  
 EQUIPMENT TITLE \_\_\_\_\_ NO. \_\_\_\_\_

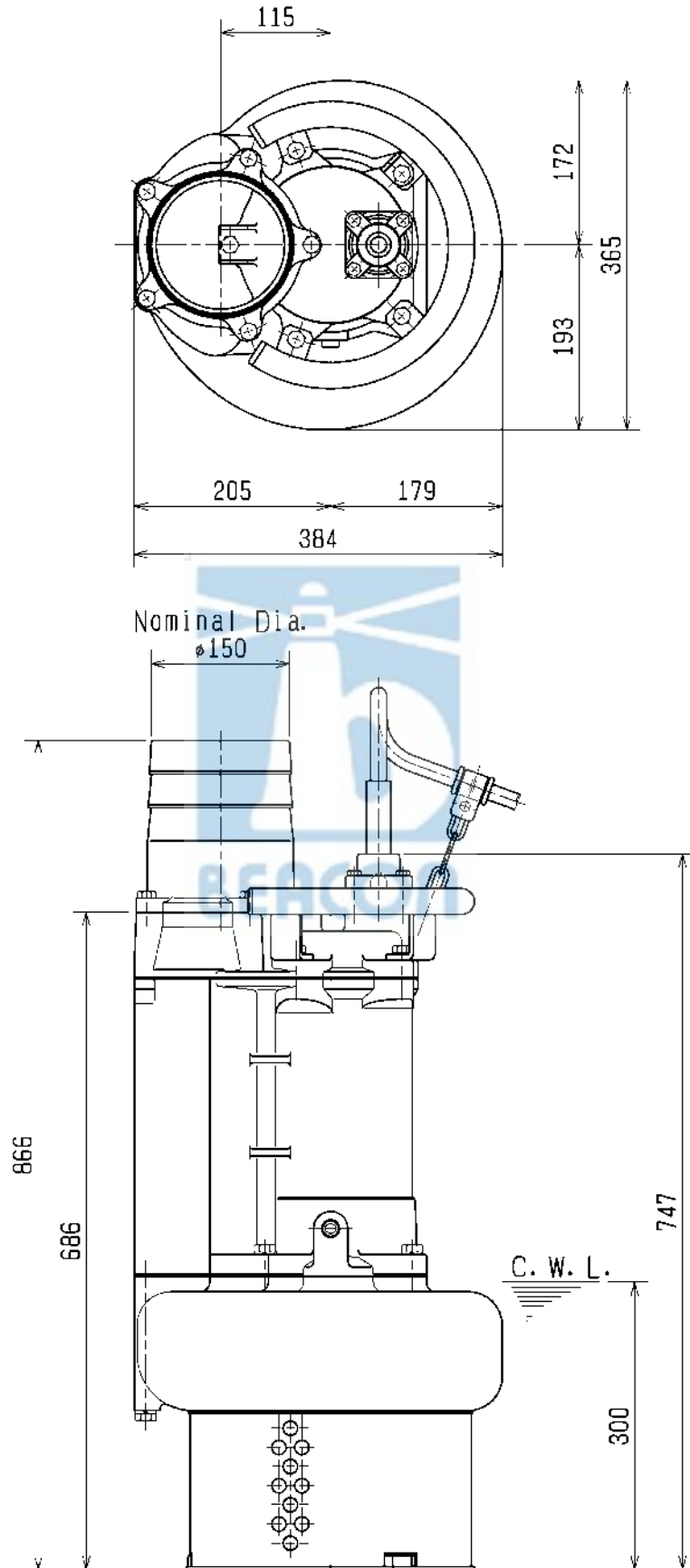
	STANDARD SPECIFICATIONS	REQUIRED SPECIFICATIONS
DISCHARGE BORE	150 mm	mm
TOTAL HEAD	5 m	m
CAPACITY	2.0 m <sup>3</sup> /min	m <sup>3</sup> /min
MOTOR OUTPUT	3.0 kW	kW
PHASE × VOLTAGE	3 φ × V	φ × V
CURRENT	A	A
POLES / REVOLUTION	4 P / S. S. 1500 min <sup>-1</sup>	P / min <sup>-1</sup>
STARTING METHOD	DIRECT ON LINE	
INSULATION CLASS	E	



**TSURUMI MFG. CO., LTD.**

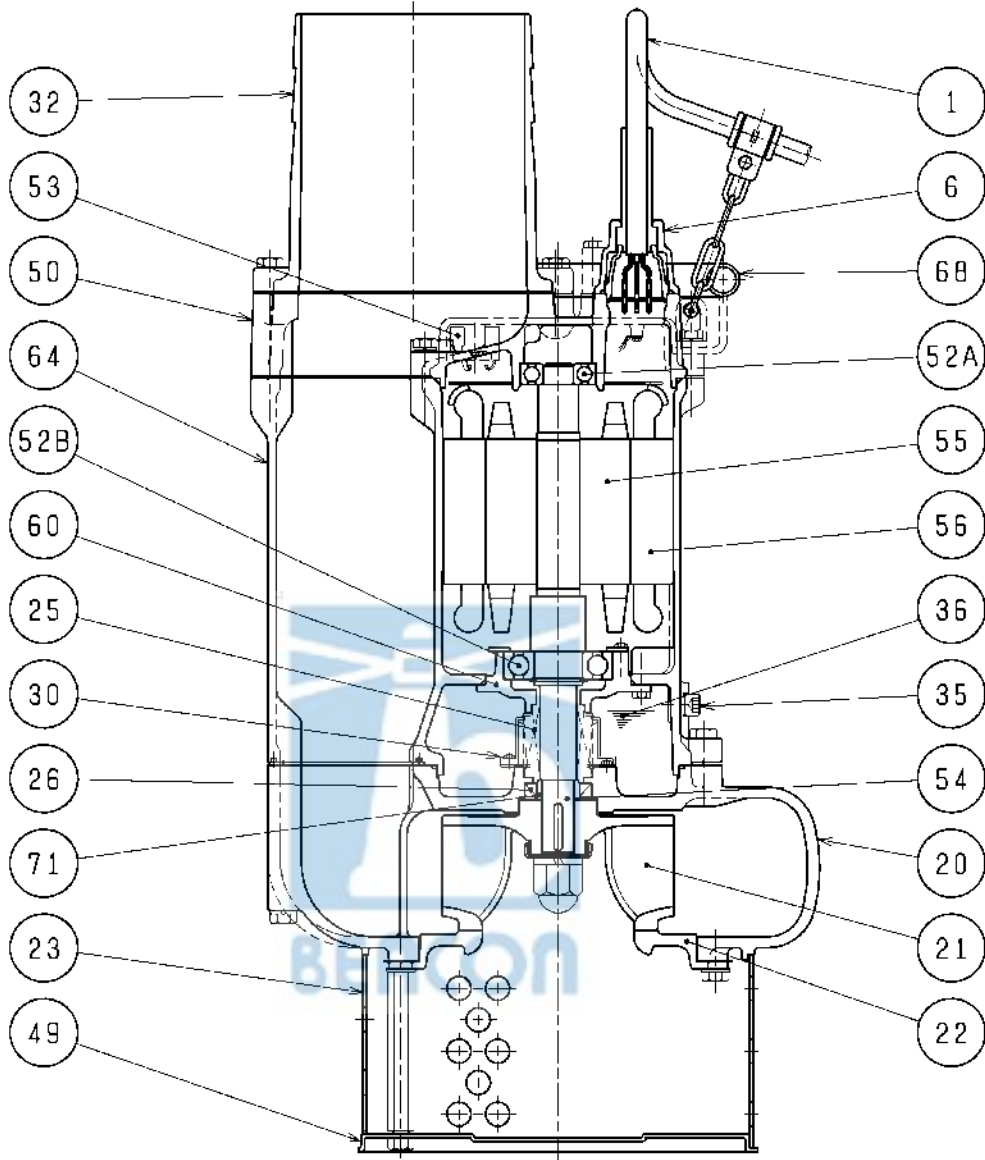
<b>DIMENSION DRAWING</b>		No.	No. A-22180-1
TYPE	Submersible Dewatering Pump	MODEL	KRS-63

Approximate Weight (※)  
97 kg  
※excluding cable



C. W. L. :Continuous running Water Level

<b>SECTIONAL DRAWING</b>		No.	No. A-22187-1
TYPE	Submersible Dewatering Pump	MODEL	KRS-63 KRS-85.5



REQ. SPECIFICATION		

	※1	※2
3kW	6205ZZC3	6307ZZC3
5.5kW	6305ZZC3	6308ZZC3

No.	DESCRIPTION	QTY	MATERIAL / NOTE	No.	DESCRIPTION	QTY	MATERIAL / NOTE
1	Cable	1	Chloroprene Sheath	50	Motor Bracket	1	Gray Iron Casting
6	Stuffing Box	1	Gray Iron Casting	52A	Upper Bearing	1	※1
20	Pump Casing	1	Gray Iron Casting	52B	Lower Bearing	1	※2
21	Impeller	1	Ductile Iron Casting (Quenching)	53	Motor Protector	1	
22	Suction Cover	1	Gray Iron Casting	54	Shaft	1	Stainless Steel 420J2
23	Strainer	1	Steel Sheet	55	Rotor	1	
25	Mechanical Seal	1	H-30	56	Stator	1	
26	Oil Seal	1	TC355511	60	Bearing Housing	1	Gray Iron Casting
30	Oil Lifter	1	Plastic	64	Motor Frame	1	Gray Iron Casting
32	Hose Coupling	1	Gray Iron Casting	68	Handle	1	Carbon Steel Pipe & Steel Sheet
35	Oil Plug	1	Stainless Steel 304	71	Shaft Sleeve	1	Stainless Steel 403
36	Lubricant		Turbine Oil (ISO VG32)				
49	Bottom Plate	1	Steel Sheet				

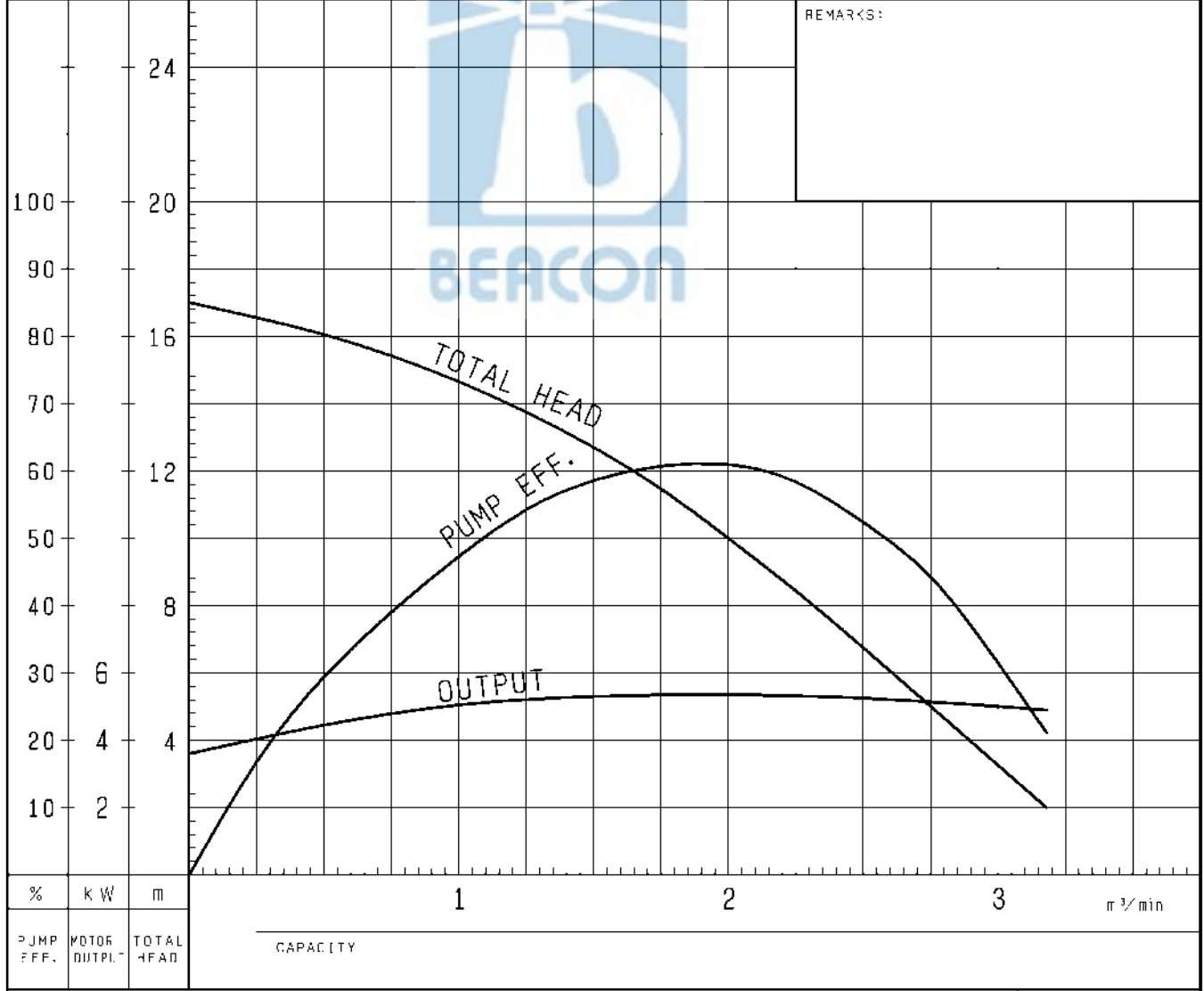
NO. A-22157-1

# PUMP PERFORMANCE CURVES

TYPE **Submersible Dewatering Pump**      MODEL **KRS-65.5**      FREQUENCY **50** Hz

CUSTOMER'S NAME \_\_\_\_\_  
 EQUIPMENT TITLE \_\_\_\_\_ NO. \_\_\_\_\_

	STANDARD SPECIFICATIONS	REQUIRED SPECIFICATIONS
DISCHARGE BORE	150 mm	mm
TOTAL HEAD	10 m	m
CAPACITY	2.0 m <sup>3</sup> /min	m <sup>3</sup> /min
MOTOR OUTPUT	5.5 kW	kW
PHASE × VOLTAGE	3 φ × V	φ × V
CURRENT	A	A
POLES / REVOLUTION	4 P / S. S. 1500 min <sup>-1</sup>	P / min <sup>-1</sup>
STARTING METHOD	DIRECT ON LINE	
INSULATION CLASS	E	

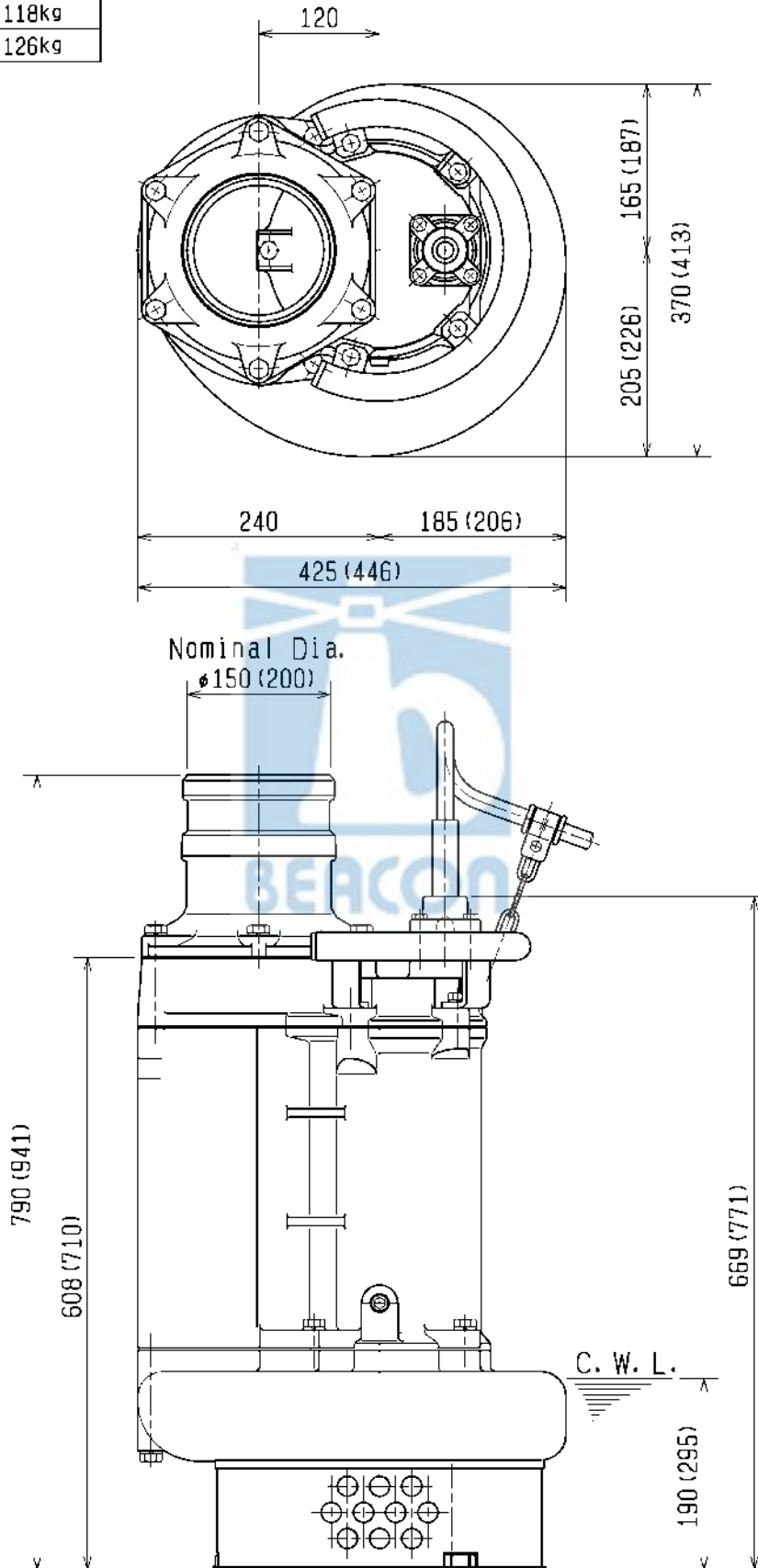


**TSURUMI MFG. CO., LTD.**

<b>DIMENSION DRAWING</b>		No.	No. A-22181-1
TYPE	Submersible Dewatering Pump	MODEL	KRS-65.5/85.5

MODEL	Approximate Weight (kg)
KRS-65.5	118kg
KRS-85.5	126kg

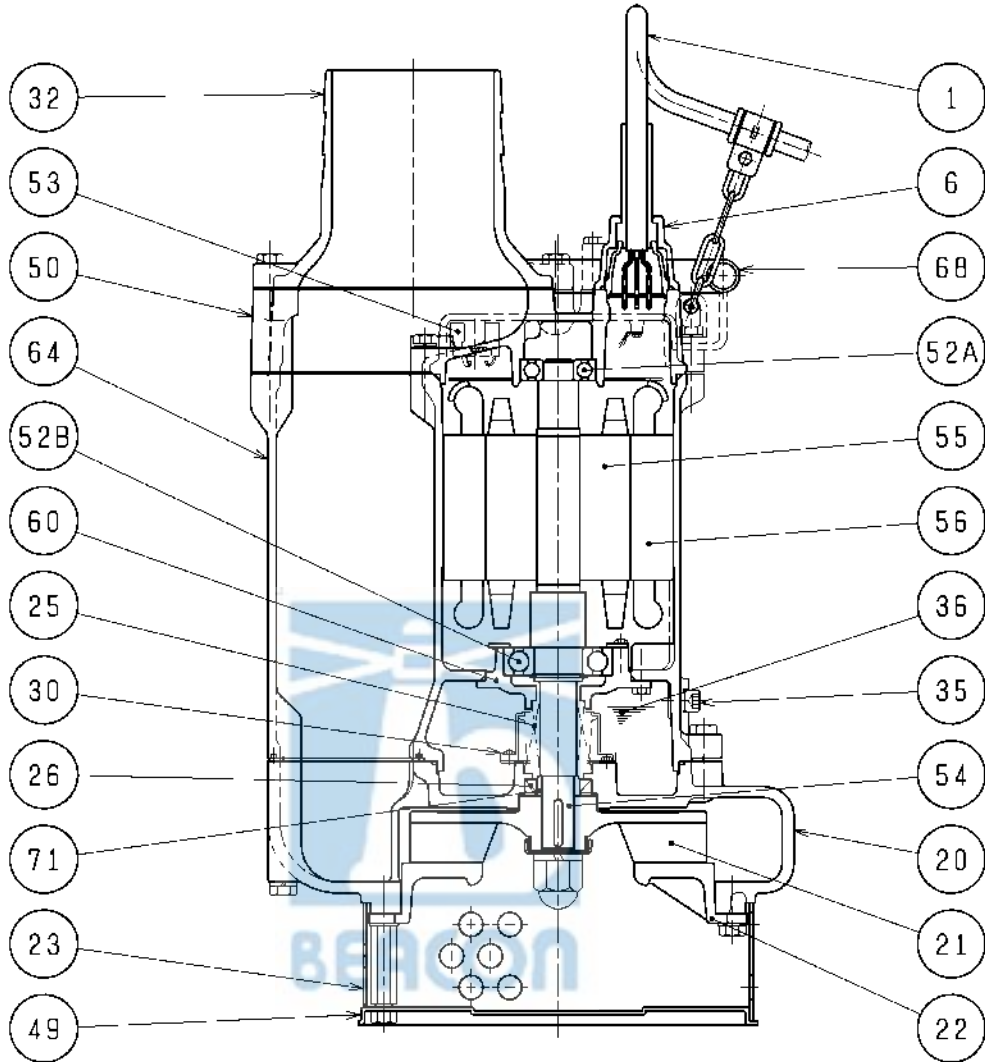
\*excluding cable



The Figure in ( ) shows the dimensions of KRS-85.5.

C. W. L. :Continuous running Water Level

<b>SECTIONAL DRAWING</b>		No.	No. A-22188-1
TYPE	Submersible Dewatering Pump	MODEL	KRS-65.5



REQ. SPECIFICATION

No.	DESCRIPTION	QTY	MATERIAL / NOTE	No.	DESCRIPTION	QTY	MATERIAL / NOTE
1	Cabtyre Cable	1	Chloroprene Sheath	50	Motor Bracket	1	Gray Iron Casting
6	Stuffing Box	1	Gray Iron Casting	52A	Upper Bearing	1	6305ZZC3
20	Pump Casing	1	Gray Iron Casting	52B	Lower Bearing	1	6308ZZC3
21	Impeller	1	Ductile Iron Casting (Quenching)	53	Motor Protector	1	
22	Suction Cover	1	Gray Iron Casting	54	Shaft	1	Stainless Steel 420J2
23	Strainer	1	Steel Sheet	55	Rotor	1	
25	Mechanical Seal	1	H-30	56	Stator	1	
26	Oil Seal	1	TC355511	60	Bearing Housing	1	Gray Iron Casting
30	Oil Lifter	1	Plastic	64	Motor Frame	1	Gray Iron Casting
32	Hose Coupling	1	Gray Iron Casting	68	Handle	1	Carbon Steel Pipe & Steel Sheet
35	Oil Plug	1	Stainless Steel 304	71	Shaft Sleeve	1	Stainless Steel 403
36	Lubricant		Turbine Oil (ISO VG32)				
49	Bottom Plate	1	Steel Sheet				

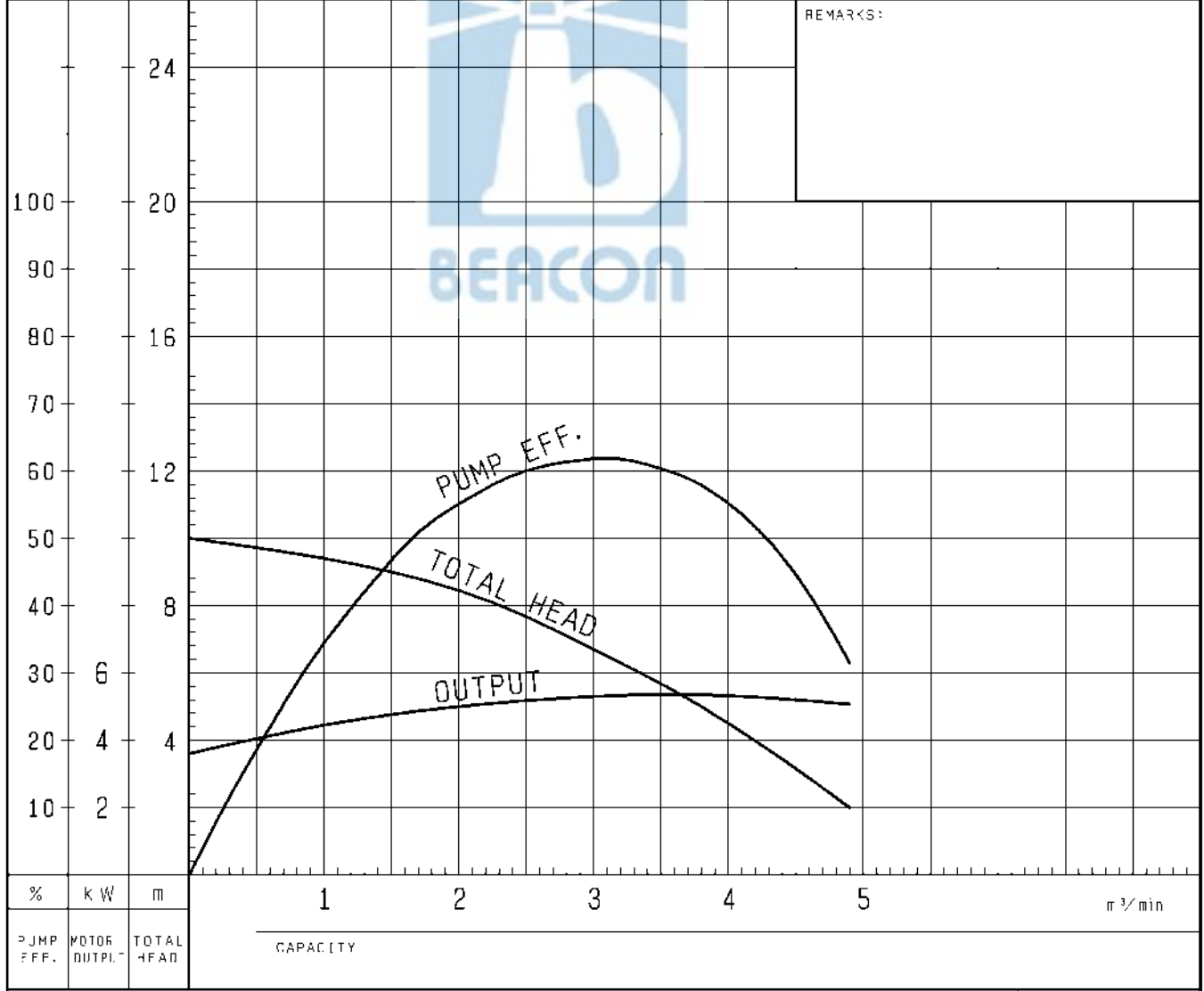
NO. A-22159-1

# PUMP PERFORMANCE CURVES

TYPE **Submersible Dewatering Pump**      MODEL **KRS-85.5**      FREQUENCY **50** Hz

CUSTOMER'S NAME \_\_\_\_\_  
 EQUIPMENT TITLE \_\_\_\_\_ NO. \_\_\_\_\_

	STANDARD SPECIFICATIONS	REQUIRED SPECIFICATIONS
DISCHARGE BORE	200 mm	mm
TOTAL HEAD	5 m	m
CAPACITY	3.8 m <sup>3</sup> /min	m <sup>3</sup> /min
MOTOR OUTPUT	5.5 kW	kW
PHASE × VOLTAGE	3 φ × V	φ × V
CURRENT	A	A
POLES / REVOLUTION	4 P / S. S. 1500 min <sup>-1</sup>	P / min <sup>-1</sup>
STARTING METHOD	DIRECT ON LINE	
INSULATION CLASS	E	

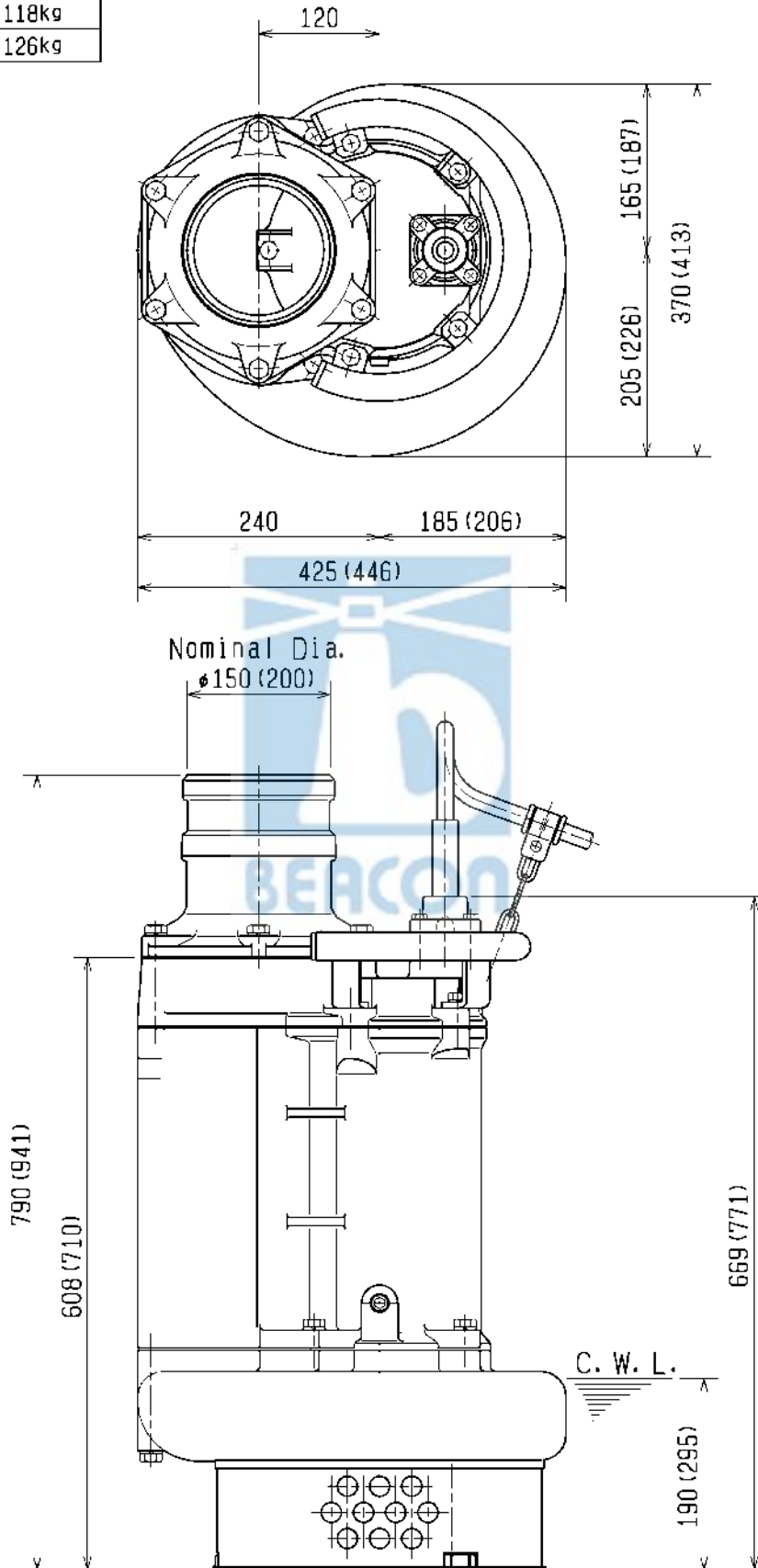


**TSURUMI MFG. CO., LTD.**

<b>DIMENSION DRAWING</b>		No.	No. A-22181-1
TYPE	Submersible Dewatering Pump	MODEL	KRS-65.5/85.5

MODEL	Approximate Weight (kg)
KRS-65.5	118kg
KRS-85.5	126kg

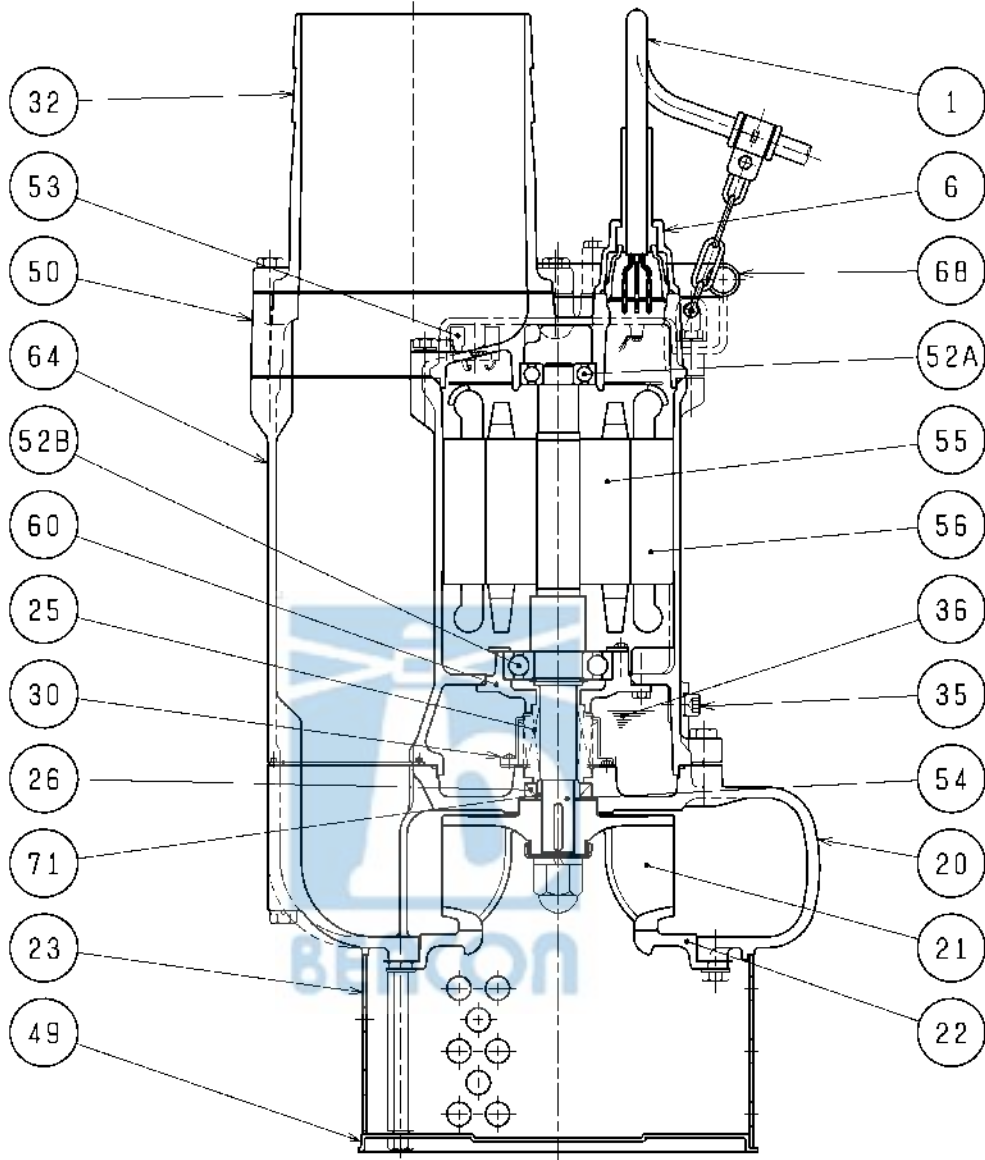
\*excluding cable



The Figure in ( ) shows the dimensions of KRS-85.5.

C. W. L. :Continuous running Water Level

<b>SECTIONAL DRAWING</b>		No.	No. A-22187-1
TYPE	Submersible Dewatering Pump	MODEL	KRS-63 KRS-85.5



REQ. SPECIFICATION		

	※1	※2
3kW	6205ZZC3	6307ZZC3
5.5kW	6305ZZC3	6308ZZC3

No.	DESCRIPTION	QTY	MATERIAL / NOTE	No.	DESCRIPTION	QTY	MATERIAL / NOTE
1	Cable	1	Chloroprene Sheath	50	Motor Bracket	1	Gray Iron Casting
6	Stuffing Box	1	Gray Iron Casting	52A	Upper Bearing	1	※1
20	Pump Casing	1	Gray Iron Casting	52B	Lower Bearing	1	※2
21	Impeller	1	Ductile Iron Casting (Quenching)	53	Motor Protector	1	
22	Suction Cover	1	Gray Iron Casting	54	Shaft	1	Stainless Steel 420J2
23	Strainer	1	Steel Sheet	55	Rotor	1	
25	Mechanical Seal	1	H-30	56	Stator	1	
26	Oil Seal	1	TC355511	60	Bearing Housing	1	Gray Iron Casting
30	Oil Lifter	1	Plastic	64	Motor Frame	1	Gray Iron Casting
32	Hose Coupling	1	Gray Iron Casting	68	Handle	1	Carbon Steel Pipe & Steel Sheet
35	Oil Plug	1	Stainless Steel 304	71	Shaft Sleeve	1	Stainless Steel 403
36	Lubricant		Turbine Oil (ISO VG32)				
49	Bottom Plate	1	Steel Sheet				

NO. A-22022-1

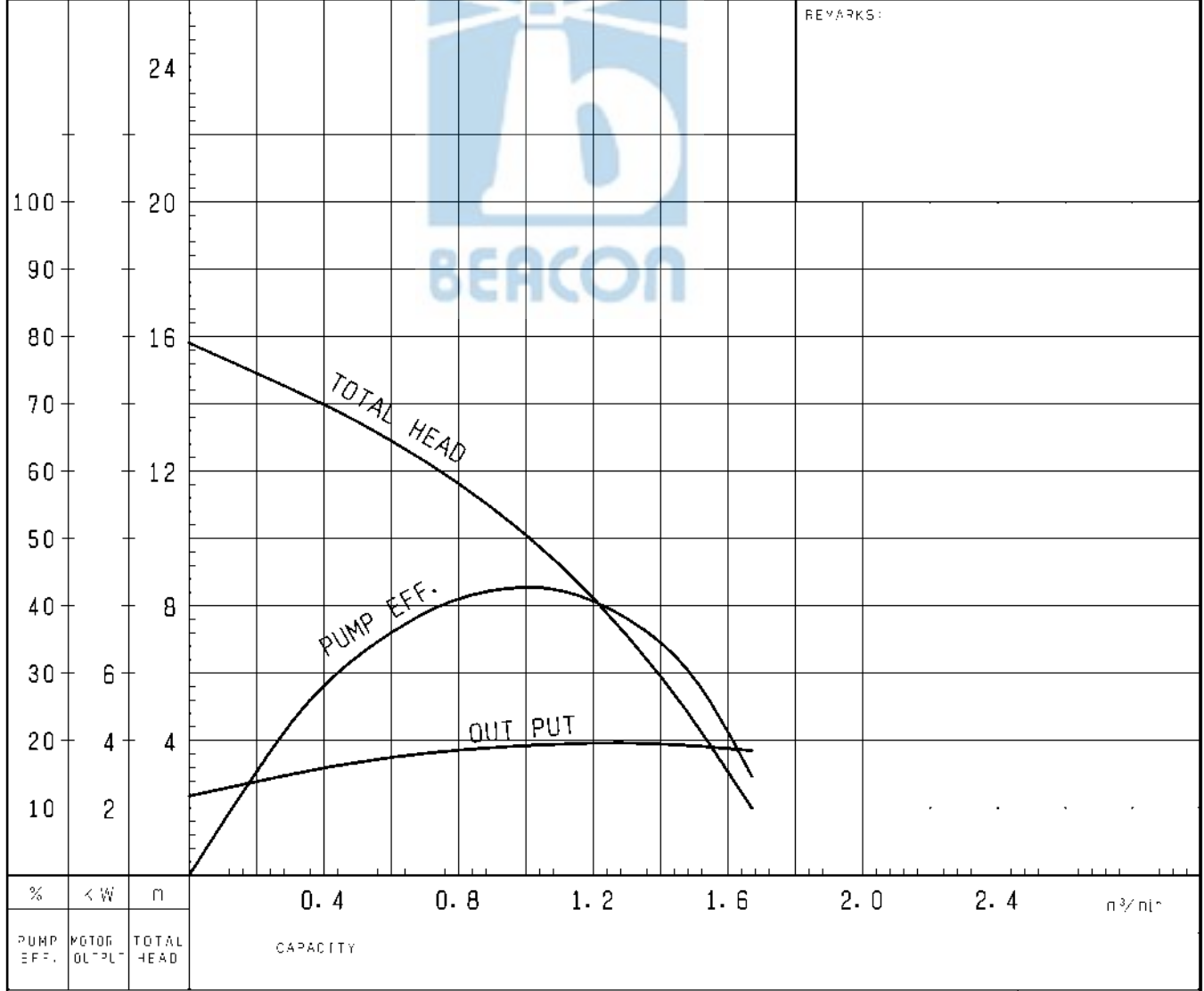
# PUMP PERFORMANCE CURVES

TYPE Submersible Slurry Pump	MODEL KRS2-80	FREQUENCY 50 Hz
---------------------------------	------------------	--------------------

CUSTOMER'S NAME \_\_\_\_\_

EQUIPMENT TITLE \_\_\_\_\_ NO. \_\_\_\_\_

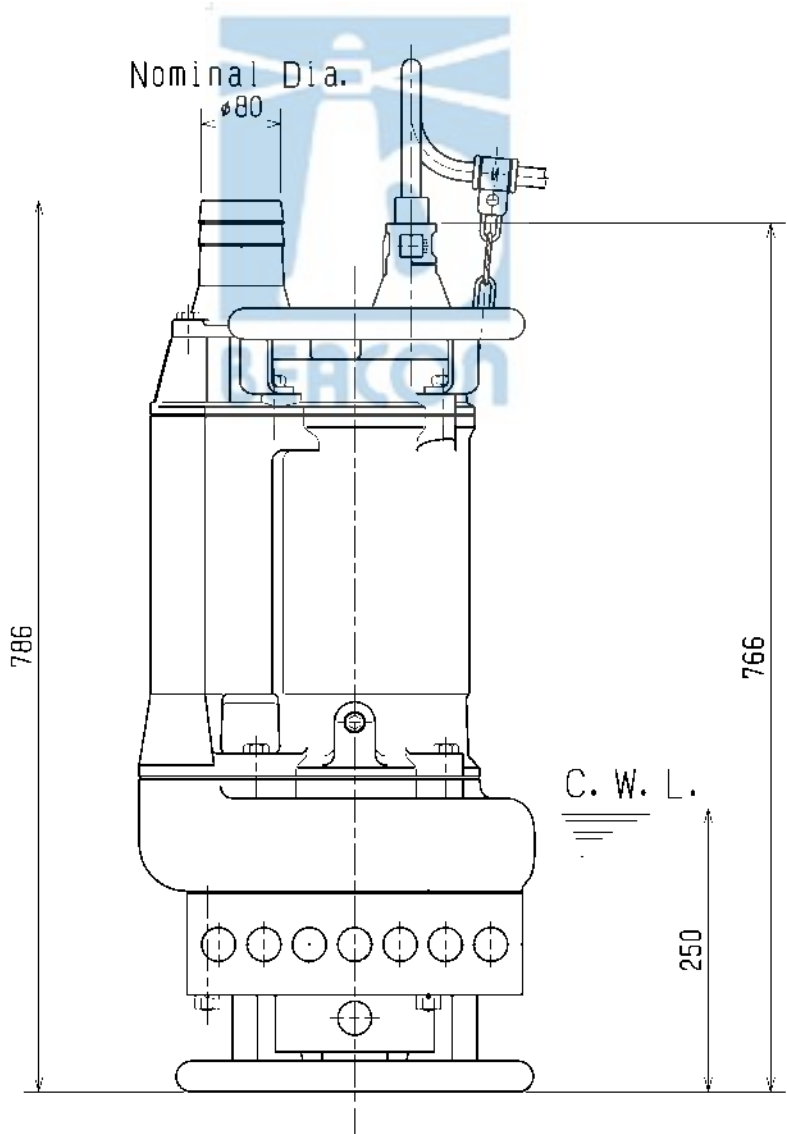
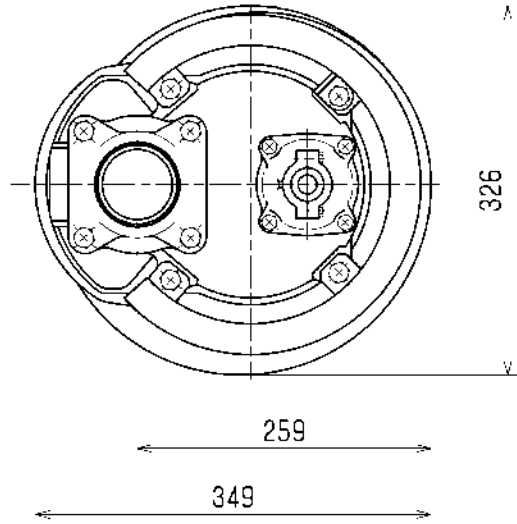
	STANDARD SPECIFICATIONS	REQUIRED SPECIFICATIONS
DISCHARGE BORE	80 mm	mm
TOTAL HEAD	10 m	m
CAPACITY	1.0 m <sup>3</sup> /min	m <sup>3</sup> /min
MOTOR OUTPUT	4.0 kW	kW
PHASE × VOLTAGE	3 φ × V	φ × V
CURRENT	A	A
POLES / REVOLUTION	4 P / S. S. 1500 min <sup>-1</sup>	P / min <sup>-1</sup>
STARTING METHOD	DIRECT ON LINE	
INSULATION CLASS	E	



TSURUMI MFG. CO., LTD.

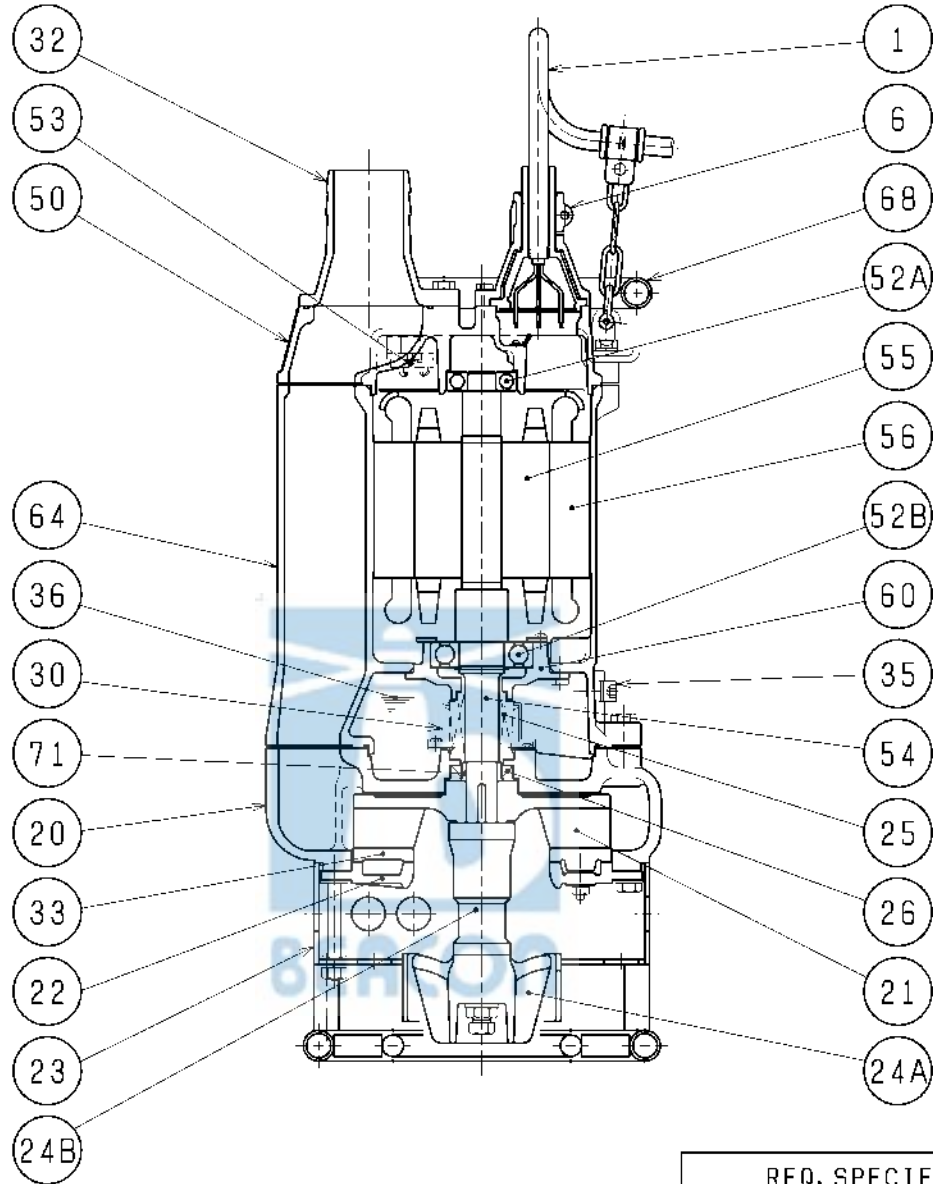
<b>DIMENSION DRAWING</b>		No.	No. A-22028-1
TYPE	Submersible Slurry Pump	MODEL	KRS2-80

Approximate Weight(\*)  
105kg  
\*excluding cable



C. W. L. :Continuous running Water Level

<b>SECTIONAL DRAWING</b>		No.	No. A-22031-1
TYPE	Submersible Slurry Pump	MODEL	KRS2-80



REQ. SPECIFICATION

No.	DESCRIPTION	QTY	MATERIAL / NOTE	No.	DESCRIPTION	QTY	MATERIAL / NOTE
1	Cahtyre Cable	1	Chloroprene Sheath	36	Lubricant		Turbine Oil (ISO VG32)
6	Stuffing Box	1	Gray Iron Casting	50	Motor Bracket	1	Gray Iron Casting
20	Pump Casing	1	Gray Iron Casting	52A	Upper Bearing	1	6305ZZC3
21	Impeller	1	Chromium Iron Casting	52B	Lower Bearing	1	6308ZZC3
22	Suction Cover	1	Gray Iron Casting	53	Motor Protector	1	
23	Strainer Stand	1	Steel Sheet & Carbon Steel Pipe	54	Shaft	1	Stainless Steel 420J2
24A	Agitator	1	Chromium Iron Casting	55	Rotor	1	
24B	Connecting Rod	1	Malleable Iron Casting (Quenching)	56	Stator	1	
25	Mechanical Seal	1	H-30	60	Bearing Housing	1	Gray Iron Casting
26	Oil Seal	1	TC355511	64	Motor Frame	1	Gray Iron Casting
30	Oil Lifter	1	Plastic	68	Handle	1	Steel Sheet & Carbon Steel Pipe
32	Hose Coupling	1	Gray Iron Casting	71	Shaft Sleeve	1	Stainless Steel 403
33	Suction Plate	1	Chromium Iron Casting				
35	Oil Plug	1	Stainless Steel 304				

NO. A-22024-1

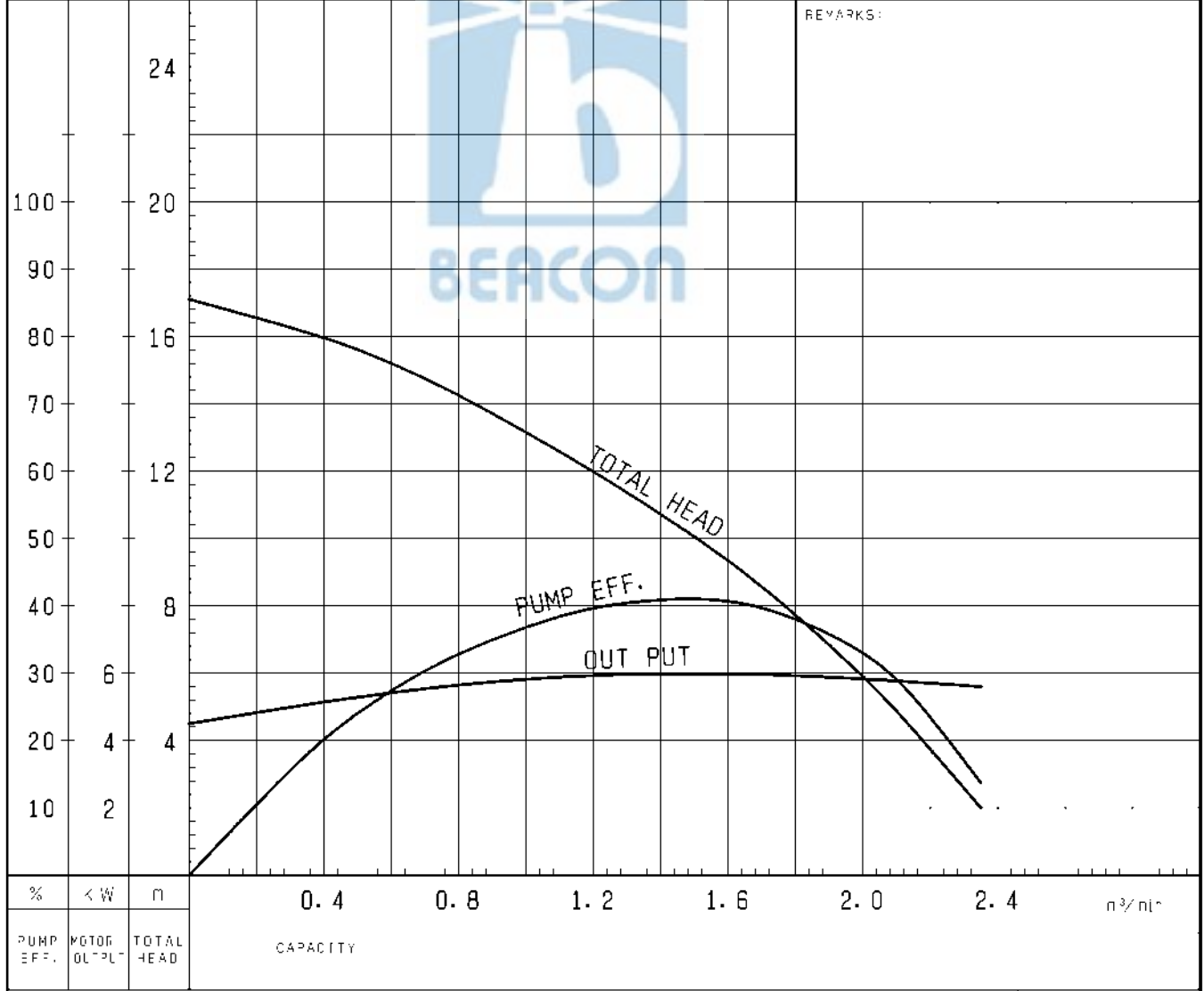
# PUMP PERFORMANCE CURVES

TYPE Submersible Slurry Pump	MODEL KRS2-100	FREQUENCY 50 Hz
---------------------------------	-------------------	--------------------

CUSTOMER'S NAME \_\_\_\_\_

EQUIPMENT TITLE \_\_\_\_\_ NO. \_\_\_\_\_

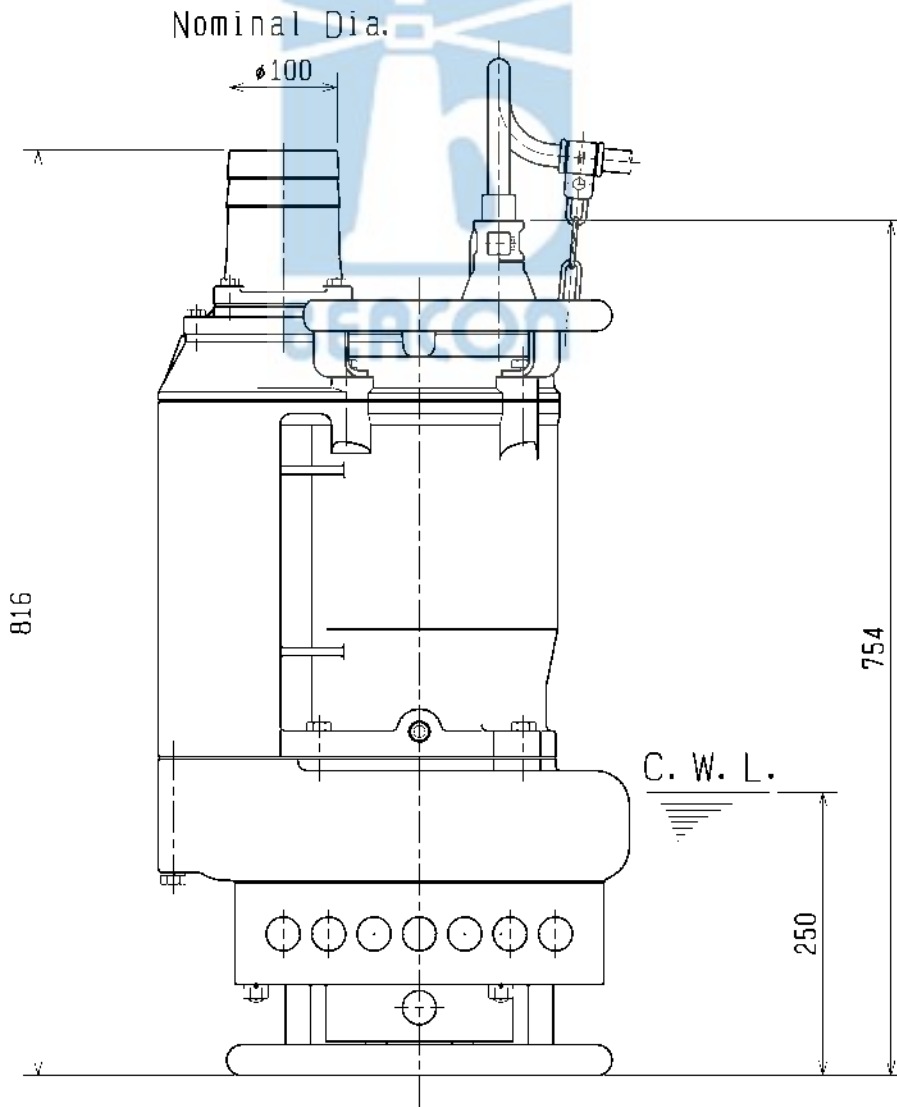
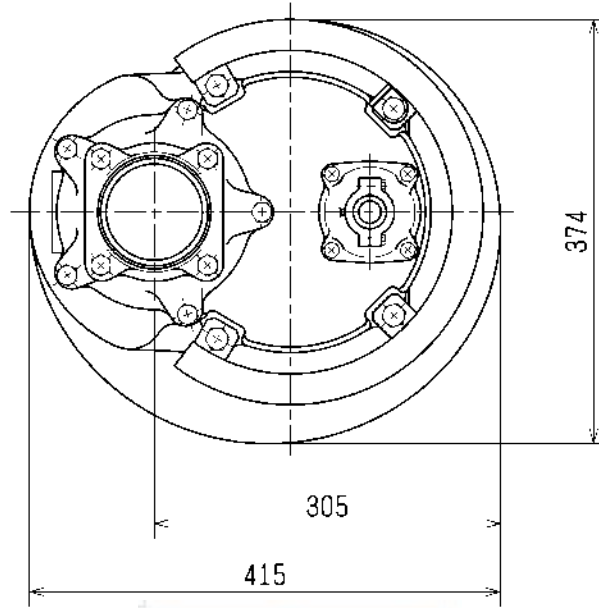
	STANDARD SPECIFICATIONS	REQUIRED SPECIFICATIONS
DISCHARGE BORE	100 mm	mm
TOTAL HEAD	10 m	m
CAPACITY	1.5 m <sup>3</sup> /min	m <sup>3</sup> /min
MOTOR OUTPUT	6.0 kW	kW
PHASE × VOLTAGE	3 φ × V	φ × V
CURRENT	A	A
POLES / REVOLUTION	4 P / S. S. 1500 min <sup>-1</sup>	P / min <sup>-1</sup>
STARTING METHOD	DIRECT ON LINE	
INSULATION CLASS	B	



TSURUMI MFG. CO., LTD.

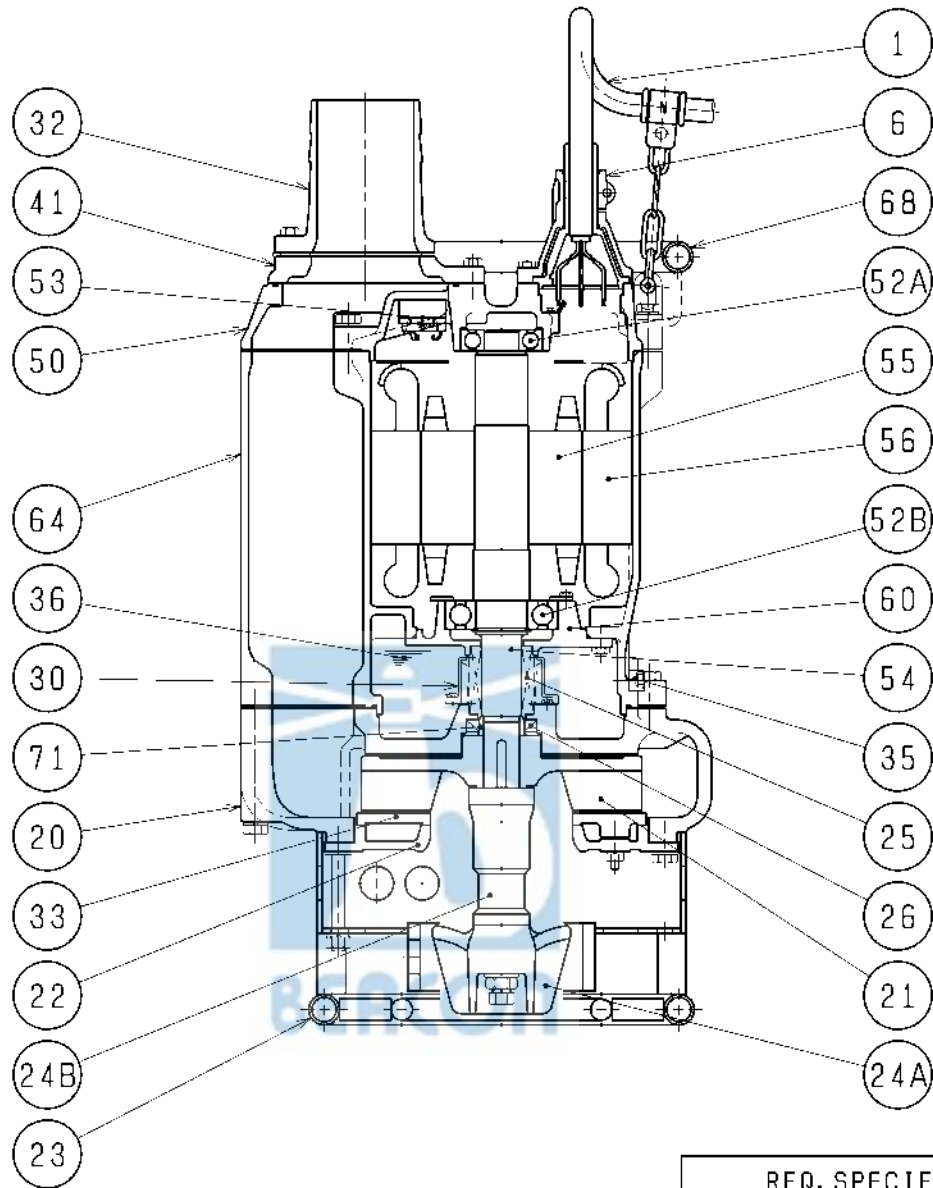
<b>DIMENSION DRAWING</b>		No.	No. A-22029-1
TYPE	Submersible Slurry Pump	MODEL	KRS2-100

Approximate Weight(\*)  
143kg  
\*excluding cable



C. W. L. :Continuous running Water Level

<b>SECTIONAL DRAWING</b>		No.	No. A-22032-1
TYPE	Submersible Slurry Pump	MODEL	KRS2-100



REQ. SPECIFICATION

No.	DESCRIPTION	QTY	MATERIAL / NOTE	No.	DESCRIPTION	QTY	MATERIAL / NOTE
1	Cable	1	Chloroprene Sheath	41	Flange	1	Gray Iron Casting
6	Stuffing Box	1	Gray Iron Casting	50	Motor Bracket	1	Gray Iron Casting
20	Pump Casing	1	Gray Iron Casting	52A	Upper Bearing	1	6306ZZC3
21	Impeller	1	Chromium Iron Casting	52B	Lower Bearing	1	6309ZZC3
22	Suction Cover	1	Gray Iron Casting	53	Motor Protector	1	
23	Strainer Stand	1	Steel Sheet & Carbon Steel Pipe	54	Shaft	1	Stainless Steel 420J2
24A	Agitator	1	Chromium Iron Casting	55	Rotor	1	
24B	Connecting Rod	1	Malleable Iron Casting (Quenching)	56	Stator	1	
25	Mechanical Seal	1	H-35	60	Bearing Housing	1	Gray Iron Casting
26	Oil Seal	1	TC406211	64	Motor Frame	1	Gray Iron Casting
30	Oil Lifter	1	Plastic	68	Handle	1	Steel Sheet & Carbon Steel Pipe
32	Hose Coupling	1	Gray Iron Casting	71	Shaft Sleeve	1	Stainless Steel 403
33	Suction Plate	1	Chromium Iron Casting				
35	Oil Plug	1	Stainless Steel 304				
36	Lubricant		Turbine Oil (ISO VG32)				

NO. A-22026-1

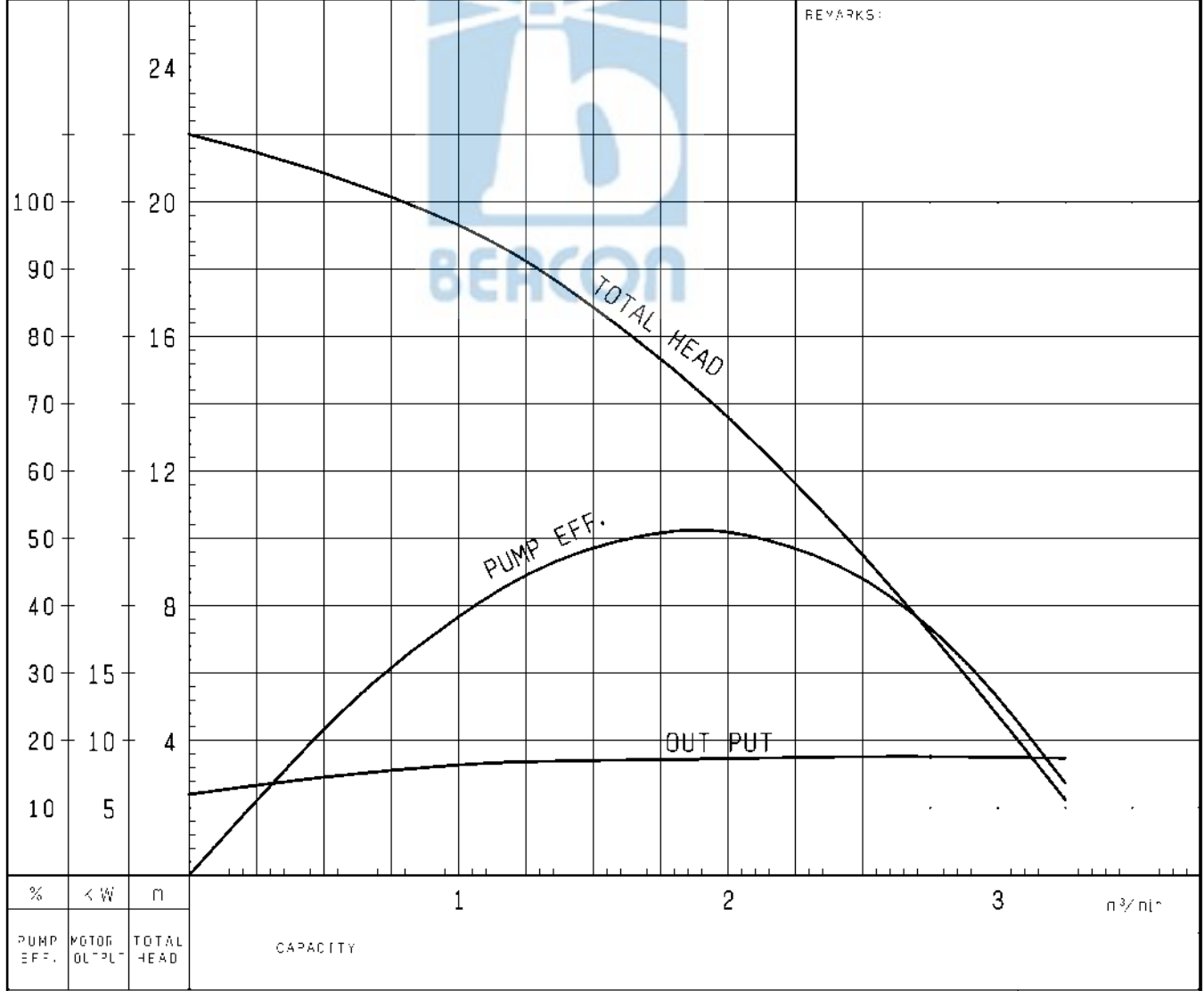
# PUMP PERFORMANCE CURVES

TYPE Submersible Slurry Pump	MODEL KRS2-150	FREQUENCY 50 Hz
---------------------------------	-------------------	--------------------

CUSTOMER'S NAME \_\_\_\_\_

EQUIPMENT TITLE \_\_\_\_\_ NO. \_\_\_\_\_

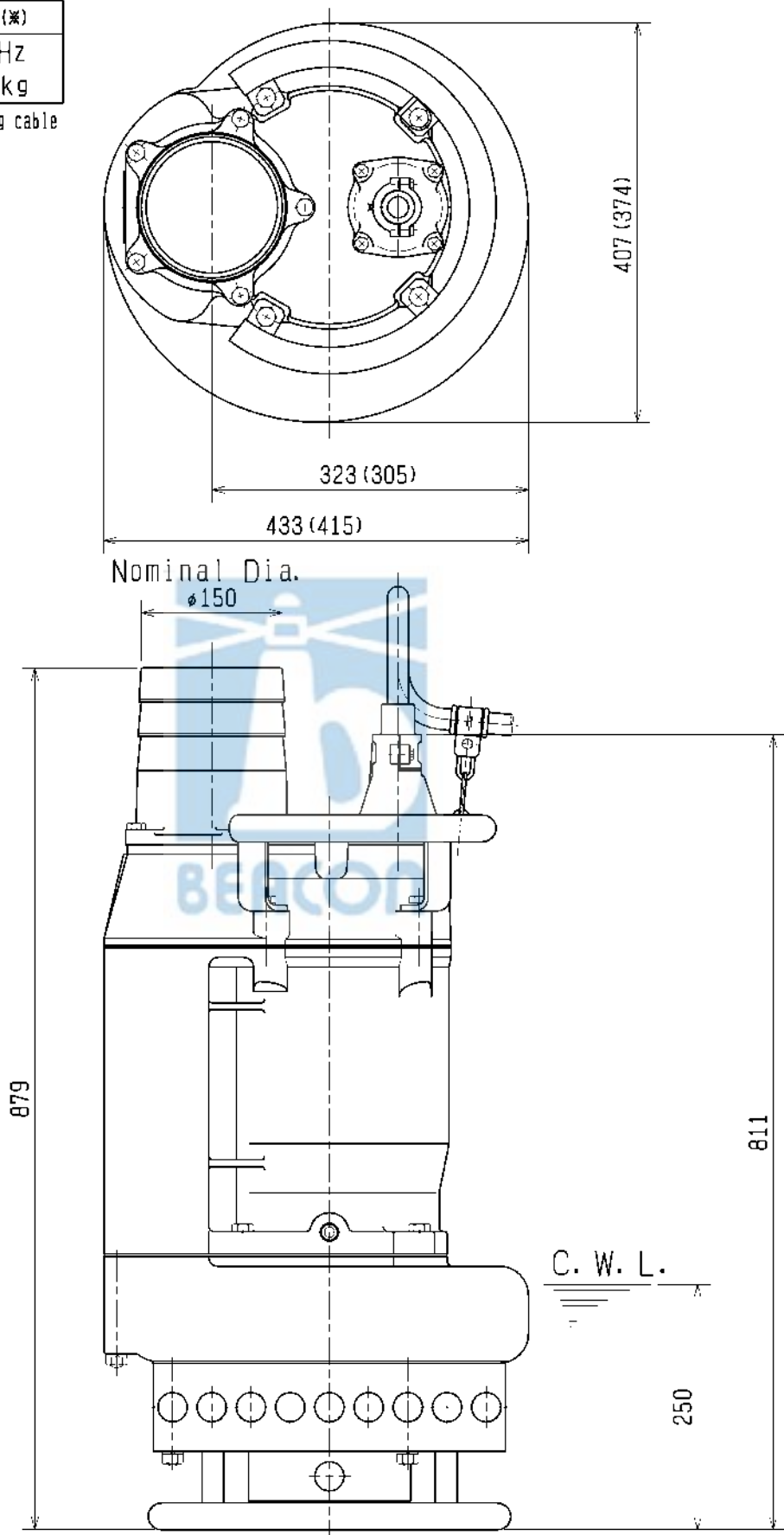
	STANDARD SPECIFICATIONS	REQUIRED SPECIFICATIONS
DISCHARGE BORE	150 mm	mm
TOTAL HEAD	15 / 8 m	m
CAPACITY	1.8 / 2.5 m <sup>3</sup> /min	m <sup>3</sup> /min
MOTOR OUTPUT	9.0 kW	kW
PHASE × VOLTAGE	3 φ × V	φ × V
CURRENT	A	A
POLES / REVOLUTION	4 P / S. S. 1500 min <sup>-1</sup>	P / min <sup>-1</sup>
STARTING METHOD	DIRECT ON LINE	
INSULATION CLASS	B	



TSURUMI MFG. CO., LTD.

<b>DIMENSION DRAWING</b>		No.	No. A-22030-1
TYPE	Submersible Slurry Pump	MODEL	KRS2-150

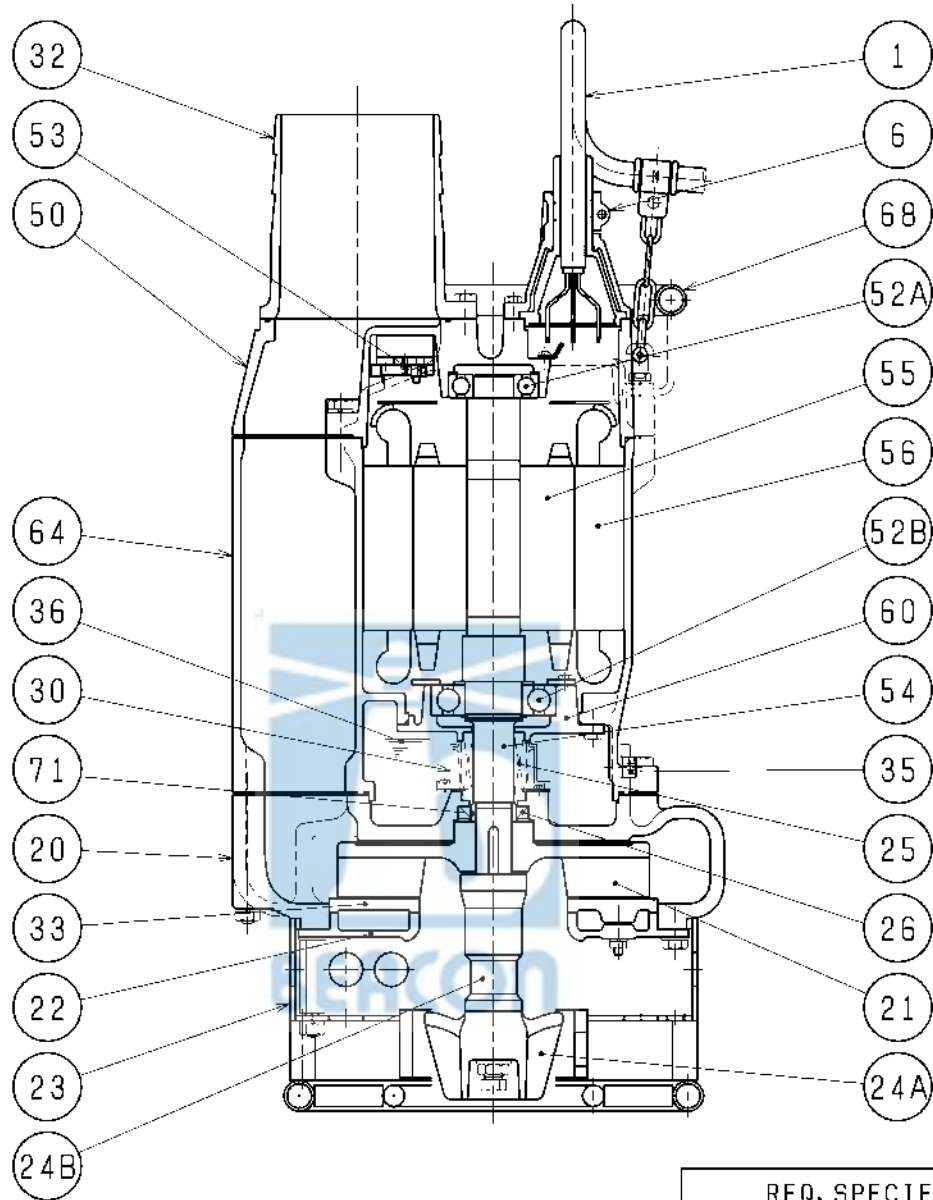
Approximate Weight (※)	
50Hz	60Hz
170kg	162kg
※excluding cable	



The Figure in ( ) shows the dimensions of 60Hz.

C. W. L. :Continuous running Water Level

<b>SECTIONAL DRAWING</b>		No.	No. A-22033-1
TYPE	Submersible Slurry Pump	MODEL	KRS2-150



REQ. SPECIFICATION

No.	DESCRIPTION	QTY	MATERIAL / NOTE	No.	DESCRIPTION	QTY	MATERIAL / NOTE
1	Cahtyre Cable	1	Chloroprene Sheath	36	Lubricant		Turbine Oil (ISO VG32)
6	Stuffing Box	1	Gray Iron Casting	50	Motor Bracket	1	Gray Iron Casting
20	Pump Casing	1	Gray Iron Casting	52A	Upper Bearing	1	6307ZZC3
21	Impeller	1	Chromium Iron Casting	52B	Lower Bearing	1	6310ZZC3
22	Suction Cover	1	Gray Iron Casting	53	Motor Protector	1	
23	Strainer Stand	1	Steel Sheet & Carbon Steel Pipe	54	Shaft	1	Stainless Steel 420J2
24A	Agitator	1	Chromium Iron Casting	55	Rotor	1	
24B	Connecting Rod	1	Malleable Iron Casting (Quenching)	56	Stator	1	
25	Mechanical Seal	1	H-35	60	Bearing Housing	1	Gray Iron Casting
26	Oil Seal	1	TC406211	64	Motor Frame	1	Gray Iron Casting
30	Oil Lifter	1	Plastic	68	Handle	1	Steel Sheet & Carbon Steel Pipe
32	Hose Coupling	1	Gray Iron Casting	71	Shaft Sleeve	1	Stainless Steel 403
33	Suction Plate	1	Chromium Iron Casting				
35	Oil Plug	1	Stainless Steel 304				